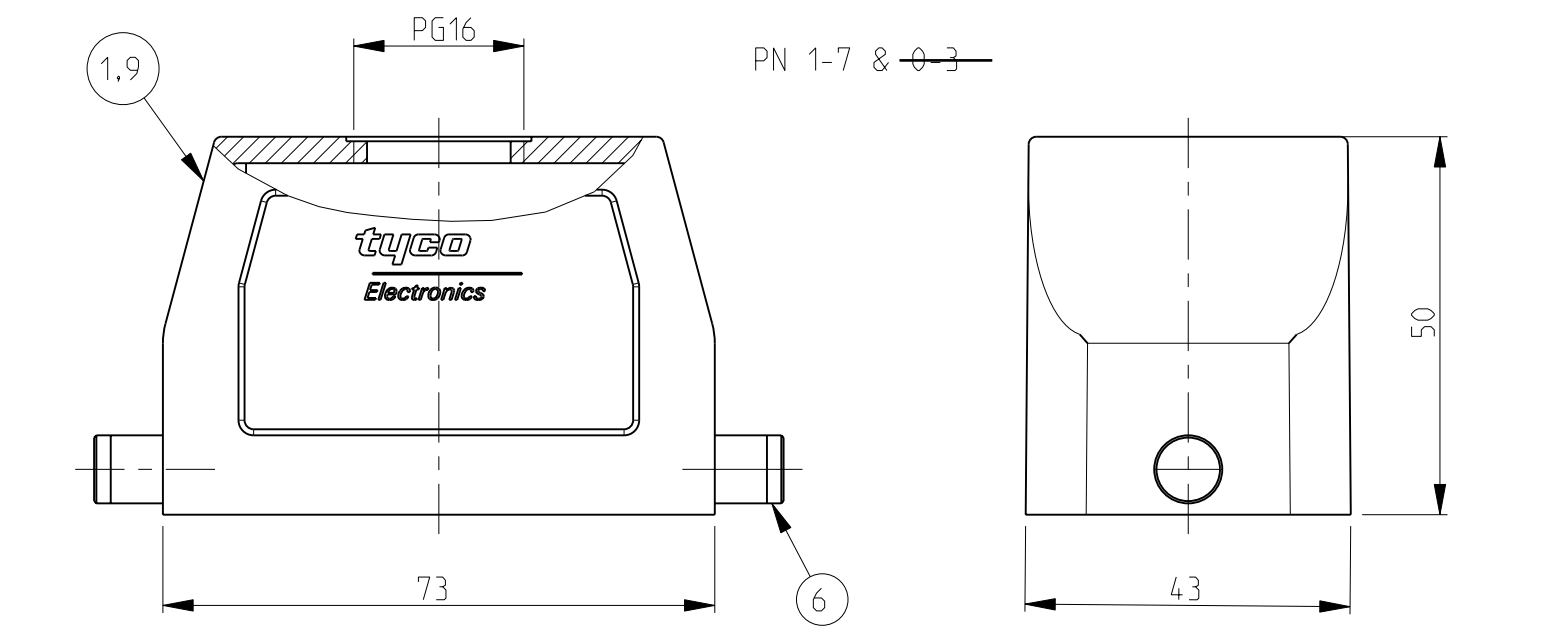
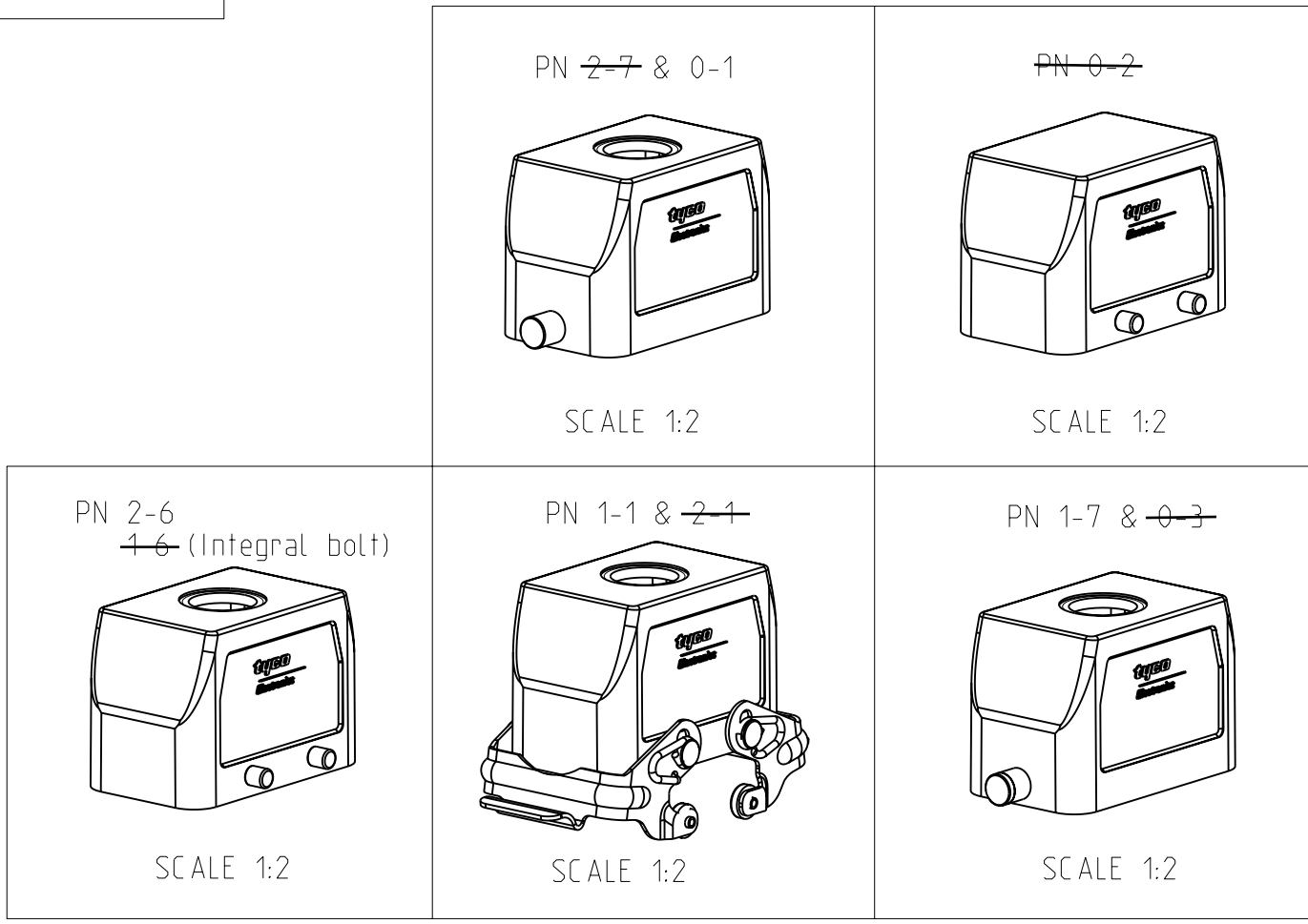
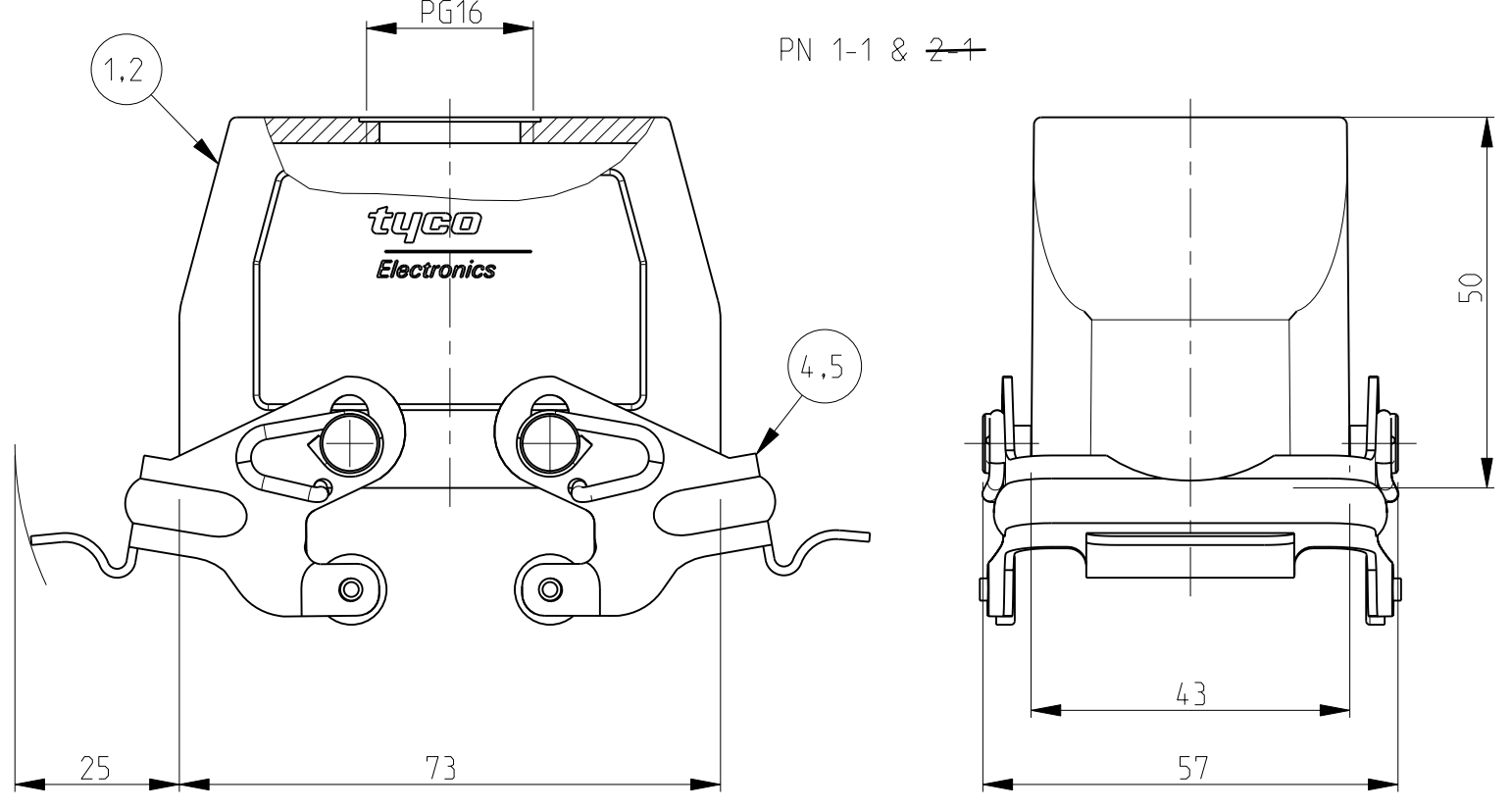
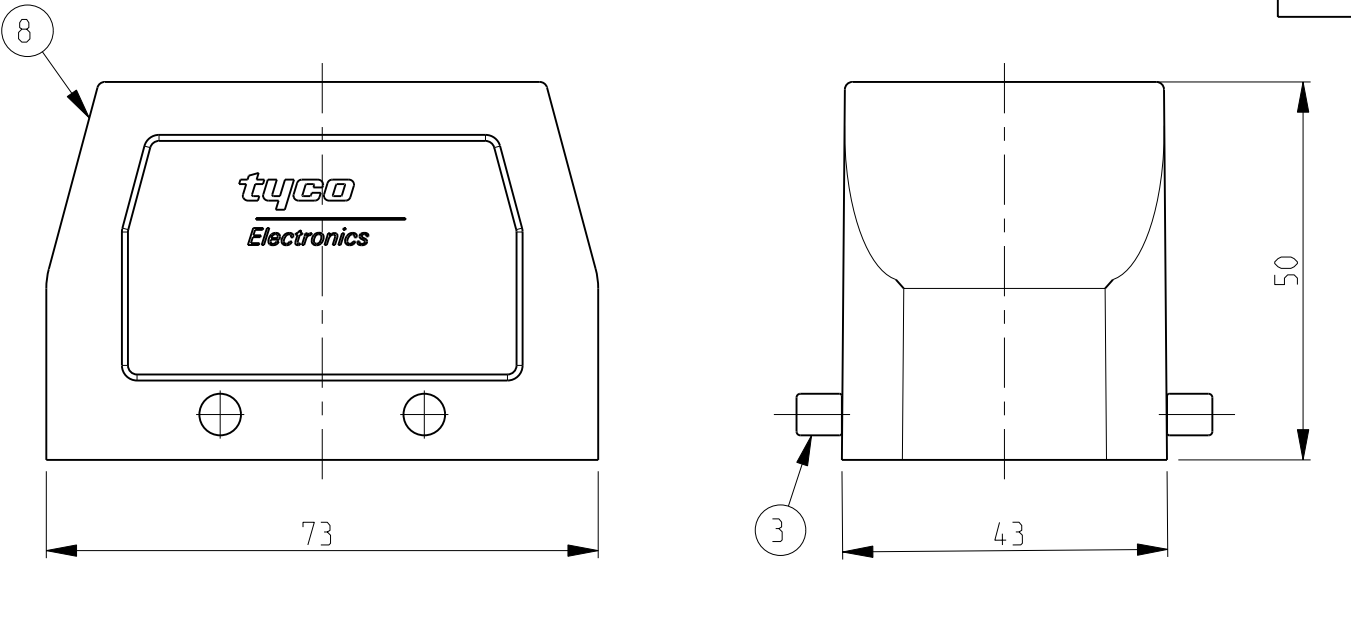
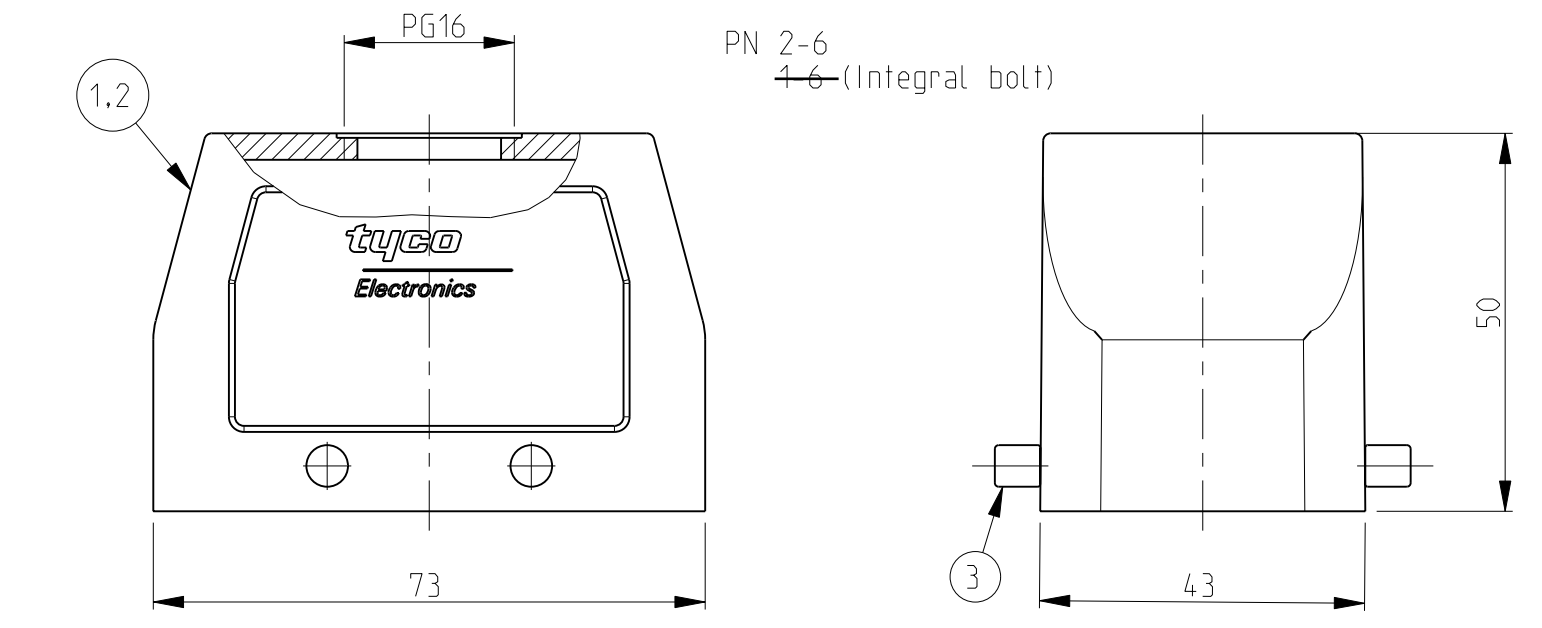


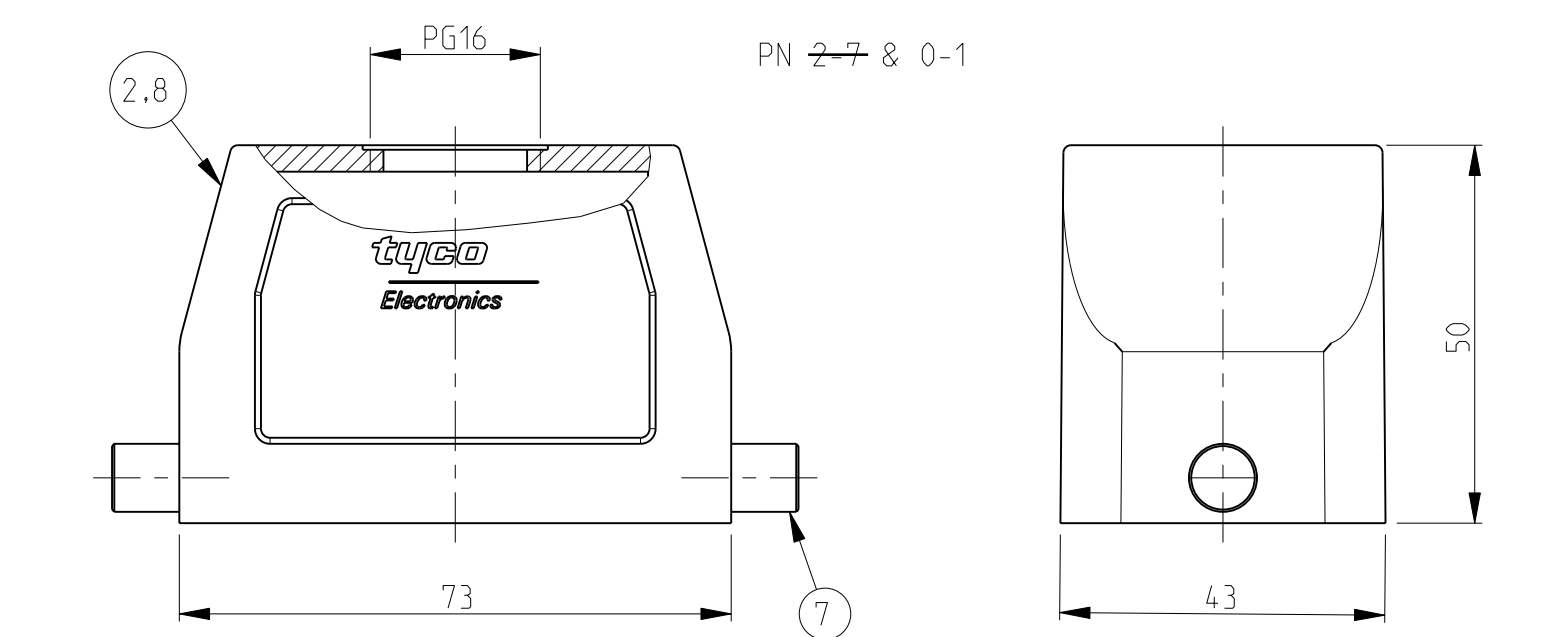
THIS DRAWING IS UNPUBLISHED. RELEASED FOR PUBLICATION .1997
 © COPYRIGHT 1997 BY TYCO ELECTRONICS CORPORATION. ALL RIGHTS RESERVED.

| REVISIONS | | | | | |
|-----------|---------------|-------------|---------|-----|------|
| P | LTR | DESCRIPTION | DATE | DWN | APVD |
| A8 | ECR-17-013084 | | 29MAR18 | SG | MKO |

- NOTES.
- Material:Housing:Aluminium Diecasting Alloy
 - Surface-Powder Varnish Grey
-Aluminium Oxide +
Varnish Black
 - Varnish on the inside not necessary
 - Packaging
Quantity 5 Pieces in a box
 - Packaging
Quantity 50 Pieces in a kanban box



| QTY | DESCRIPTION | MATERIAL | SURFACE | COLOR | ITEM NO | NOTES |
|-----|-----------------|-----------------|-----------------|-------|---------|-------|
| 1 | HB Hood | Aluminium | | Grey | 9 | |
| 1 | HB-K Hood | Aluminium | Aluminium oxide | Black | 8 | |
| 2 | LB-Clip bolt | Stainless steel | Blank | | 7 | |
| 2 | LB-Clip bolt | Steel | Zinc plated | Blue | 6 | |
| 2 | VS-Locking clip | Stainless steel | Blank | | 5 | |
| 2 | VS-Locking clip | Steel | Zinc plated | Blue | 4 | |
| 4 | VS-Clip bolt | Stainless steel | Blank | | 3 | |
| 1 | HB-K Hood | Aluminium | Aluminium oxide | Black | 2 | |
| 1 | HB Hood | Aluminium | | Grey | 1 | |



THIS DRAWING IS A CONTROLLED DOCUMENT FOR TYCO ELECTRONICS CORPORATION IT IS SUBJECT TO CHANGE AND THE CONTROLLING ENGINEERING ORGANIZATION SHOULD BE CONTACTED FOR THE LATEST REVISION.

DWN Schneider 19.05.2001
 CHK Schweiger 19.05.2001
 APVD -
 PRODUCT SPEC -
 APPLICATION SPEC -
 WEIGHT -
 CUSTOMER DRAWING

TE Connectivity
 NAME Hood HB.10
 SIZE A2 CAGE CODE 00779 DRAWING NO C=1102267 RESTRICTED TO -
 SCALE 1:1 SHEET 1 OF 1 REV A8

DIMENSIONS: mm
 TOLERANCES UNLESS OTHERWISE SPECIFIED:
 0 PLC ±
 1 PLC ±
 2 PLC ±
 3 PLC ±
 4 PLC ±
 ANGLES ±
 FINISH

D

C

B

A

1102267

X-ON Electronics

Largest Supplier of Electrical and Electronic Components

Click to view similar products for [Heavy Duty Power Connectors](#) category:

Click to view products by [TE Connectivity](#) manufacturer:

Other Similar products are found below :

[647757-1](#) [6643411-1](#) [6646058-2](#) [6646137-1](#) [6646138-1](#) [6646479-1](#) [6646608-1](#) [6646786-1](#) [6646940-1](#) [6651091-1](#) [6651525-1](#) [6651529-1](#)
[6651788-1](#) [696475-1](#) [702-32-01109](#) [703-25-02205](#) [73000005059](#) [73000005642](#) [73080255059](#) [73080965046](#) [765-15-0080A](#) [765-16-0080B](#)
[765-18-0080D](#) [829992-1](#) [902-77-02113](#) [PS00/A0620/6300](#) [PS25/A0420/63](#) [129-1J](#) [1409400](#) [AN0024023](#) [E6374G1](#) [e6389g2](#) [157-43GW8](#)
[MS3117-14AC](#) [1643543-1](#) [1650540-1](#) [1651811-2](#) [1766260-1](#) [1766282-1](#) [1766966-1](#) [1791340000](#) [NLDFT-3-BL-L-S120-M40A](#) [NLDFT-N-](#)
[W-L-C240-M40B](#) [NLS-2-R-C240-M40B](#) [NLS-N-W-C240-M40B](#) [NPS-3-BL-T6](#) [1986615-1](#) [2-1589900-8](#) [2199314-1](#) [KA8102](#)