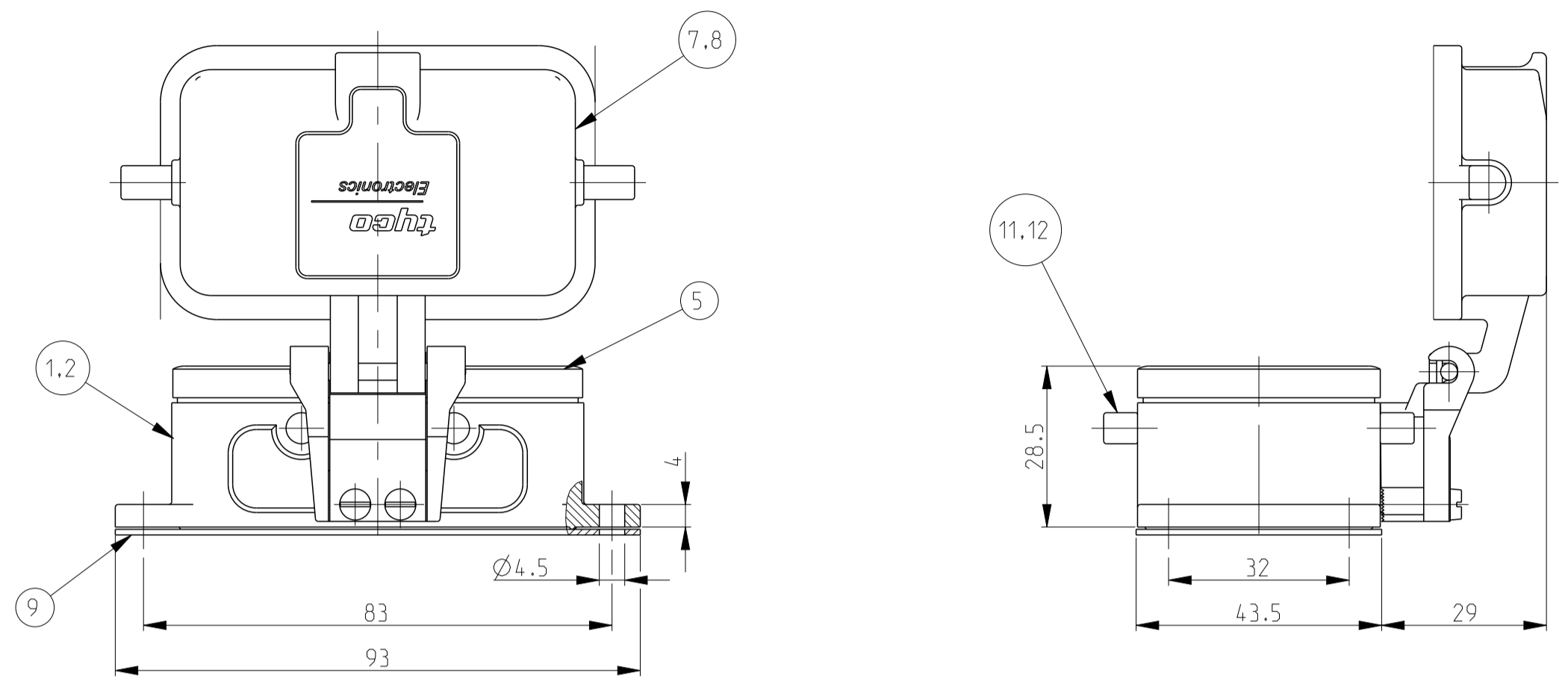
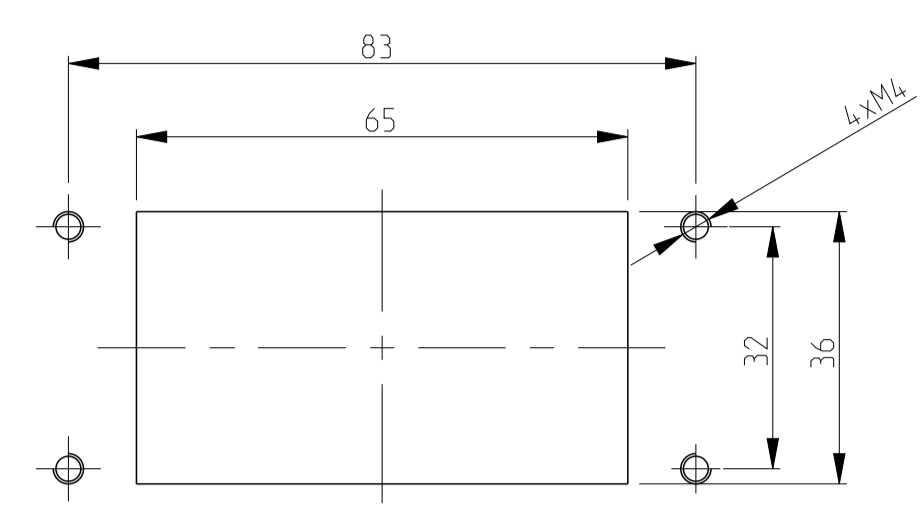


PN 1-6, 2-6 & 0-3



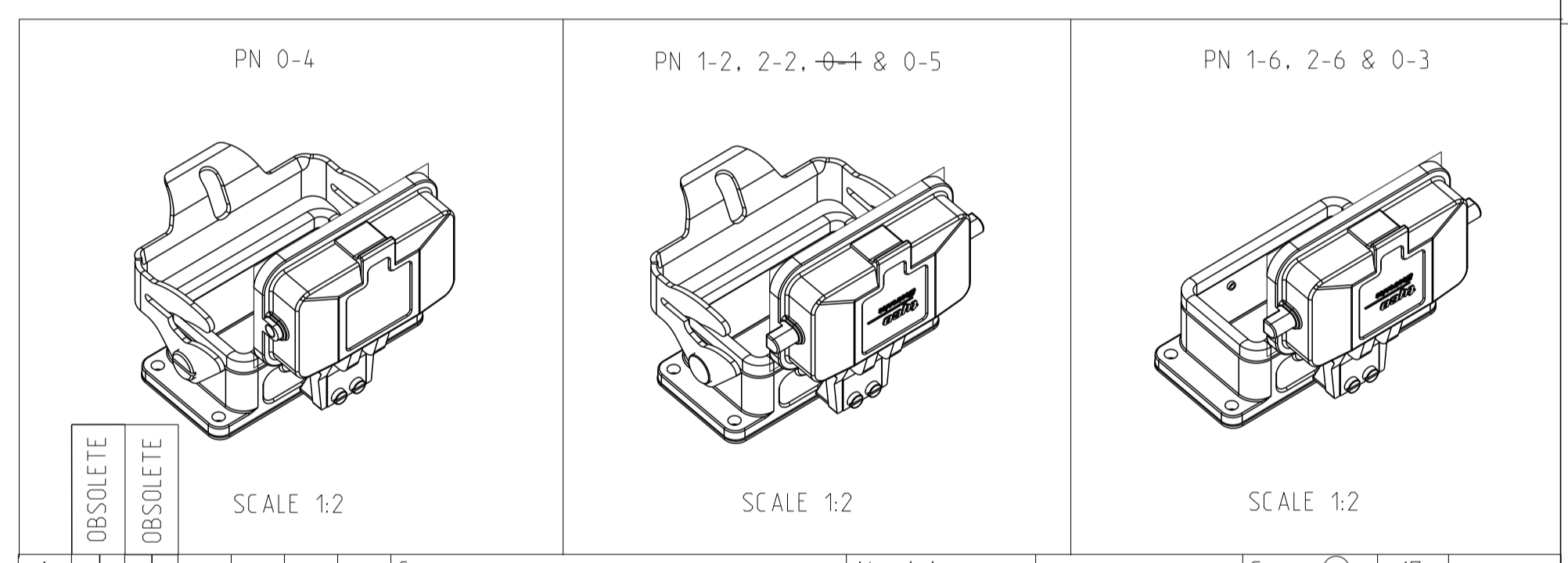
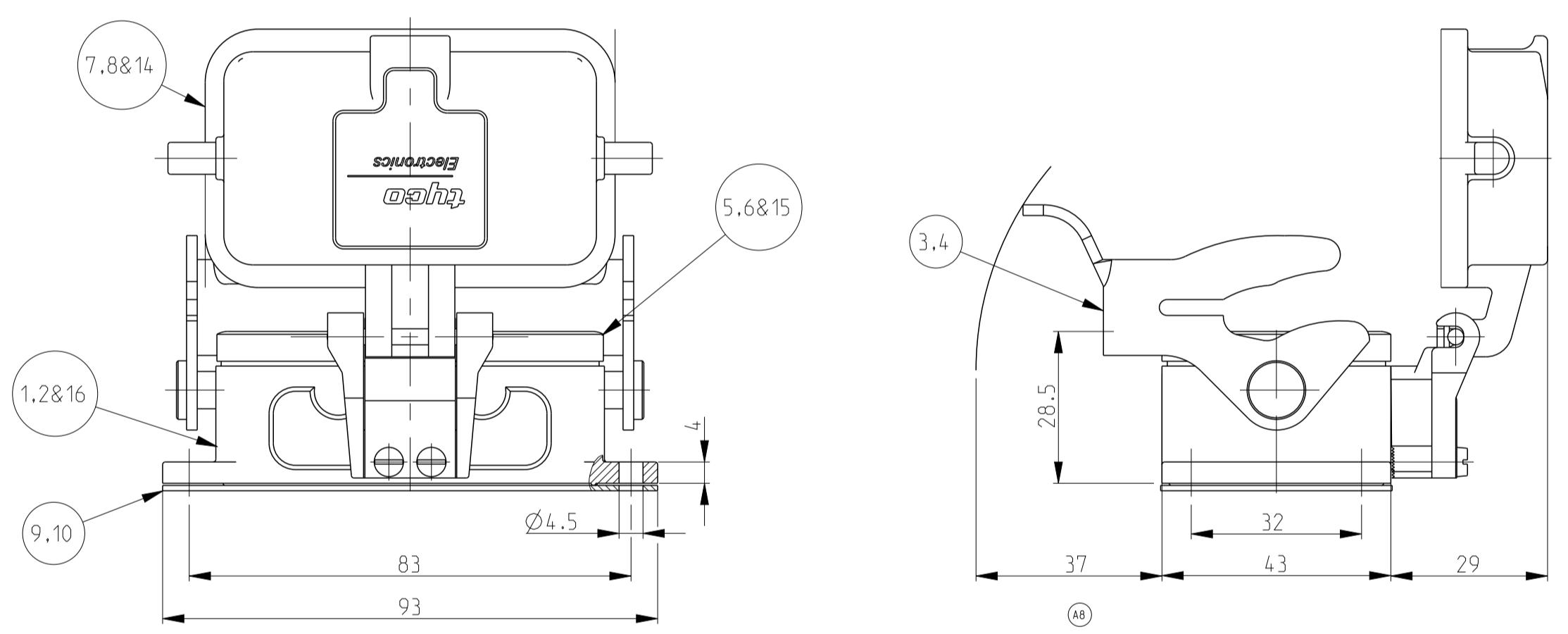
PANEL-CUT OUT



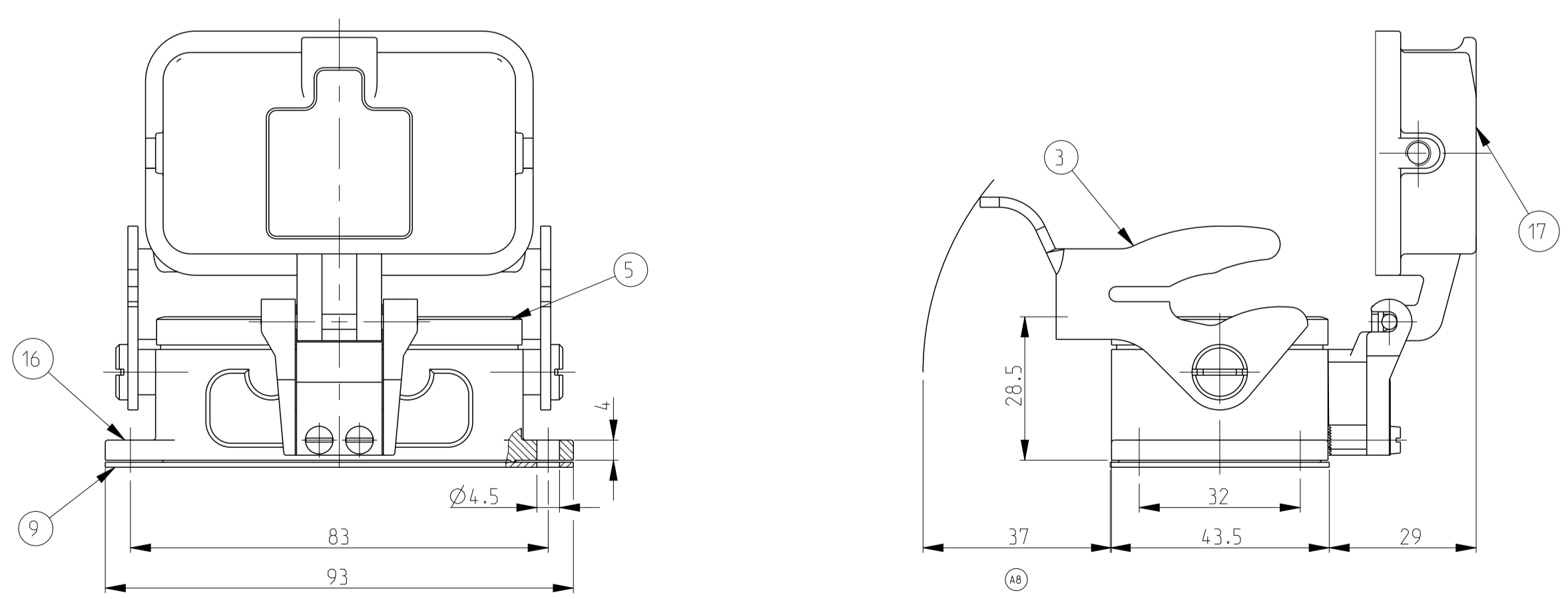
REVISIONS				
P	LTN	DESCRIPTION	DATE	APVD
A8	ECR-09-015566		10JUL2009	SR GW
A9	ECR-16-015318		16AUG2017	GR MKO
A10	ECR-16-016768		15NOV2017	GR MKO
A11	ECR-17-013084		29MAR2018	SG MKO

- NOTES
- Material : Housing : Aluminium diecasting alloy
  - Surface: Varnisch-Black  
 -Aluminium oxide-Varnisch black  
 -ChromitAl TCP-Passivation  
 -Grey
  - Varnisch on the inside not necessary
  - Packaging  
 Quantify 5 pieces in a box

PN 1-2, 2-2, 0-1 & 0-5



PN 0-4



QTY	REF	DESCRIPTION	MATERIAL	SURFACE	COLOR	ITEM NO	NOTES					
1		Cover	Aluminium		Grey	17						
1		Surface mounted housing bottom entry HB	Aluminium		Grey	16						
		Profile seal	Neoprene		Black	15	Conductive					
		Cover	Aluminium	SEE NOTE	Black	14						
		Surface mounted housing bottom entry HB-EMV	Aluminium	SEE NOTE	Black	13						
	4	Clip bolt	Stainless steel		Blank	12						
	4	Clip bolt	Steel	Zinc plated	Blue	11						
		Flange seal	Viton		Black	10						
1	1	Flange seal	Neoprene		Black	9						
	1	Cover	Aluminium	Aluminium oxide	Black	8						
	1	Cover	Aluminium		Grey	7						
		Profile seal	Viton		Grey	6						
1		Profile seal	Neoprene		Black	5						
	1	LB-Side clip	Stainless steel		Blank	4						
1	1	LB-Side clip	Steel	Zinc plated	Blue	3						
	1	Surface mounted housing bottom entry HB-K	Aluminium	Aluminium Oxide	Black	2						
	1	Surface mounted housing bottom entry HB	Aluminium		Grey	1						
0-5	0-4	0-1	2-6	1-6	2-2	1-2	DESCRIPTION	MATERIAL	SURFACE	COLOR	ITEM NO	NOTES
HB-10-AGD-LB	HB-EMV-10-AGD-LB	HB-K-10-AGD-LB-V	HB-K-10-AGD	HB-K-10-AGD-LB	HB-K-10-AGD-LB	HB-10-AGD-LB	ORDERING TEXT					

THIS DRAWING IS A CONTROLLED DOCUMENT. DWG: Schneider 18.05.2000  
 CHK: Schweiiger 18.05.2000

DIMENSIONS: mm

TOLERANCES UNLESS OTHERWISE SPECIFIED:  
 0 - 1000 μm  
 1 - 100 μm  
 2 - 50 μm  
 3 - 20 μm  
 4 - 10 μm  
 ANGLES: #

MATERIAL: FINISH: #

WEIGHT: A1 00779 C=1102283

CUSTOMER DRAWING SCALE: 1:1 SHEET: 1 OF 1 REV: A11

TE Connectivity  
 Surface mounted housing bottom entry HB.10.AGD

## X-ON Electronics

Largest Supplier of Electrical and Electronic Components

*Click to view similar products for [Heavy Duty Power Connectors](#) category:*

*Click to view products by [TE Connectivity](#) manufacturer:*

Other Similar products are found below :

[647757-1](#) [6643411-1](#) [6646058-2](#) [6646137-1](#) [6646138-1](#) [6646479-1](#) [6646608-1](#) [6646786-1](#) [6646940-1](#) [6651091-1](#) [6651525-1](#) [6651529-1](#)  
[6651788-1](#) [696475-1](#) [702-32-01109](#) [703-25-02205](#) [73000005059](#) [73000005642](#) [73080255059](#) [73080965046](#) [765-15-0080A](#) [765-16-0080B](#)  
[765-18-0080D](#) [829992-1](#) [902-77-02113](#) [PS00/A0620/6300](#) [PS25/A0420/63](#) [129-1J](#) [1409400](#) [AN0024023](#) [E6374G1](#) [e6389g2](#) [157-43GW8](#)  
[MS3117-14AC](#) [1643543-1](#) [1650540-1](#) [1651811-2](#) [1766260-1](#) [1766282-1](#) [1766966-1](#) [1791340000](#) [NLDFT-3-BL-L-S120-M40A](#) [NLDFT-N-](#)  
[W-L-C240-M40B](#) [NLS-2-R-C240-M40B](#) [NLS-N-W-C240-M40B](#) [NPS-3-BL-T6](#) [1986615-1](#) [2-1589900-8](#) [2199314-1](#) [KA8102](#)