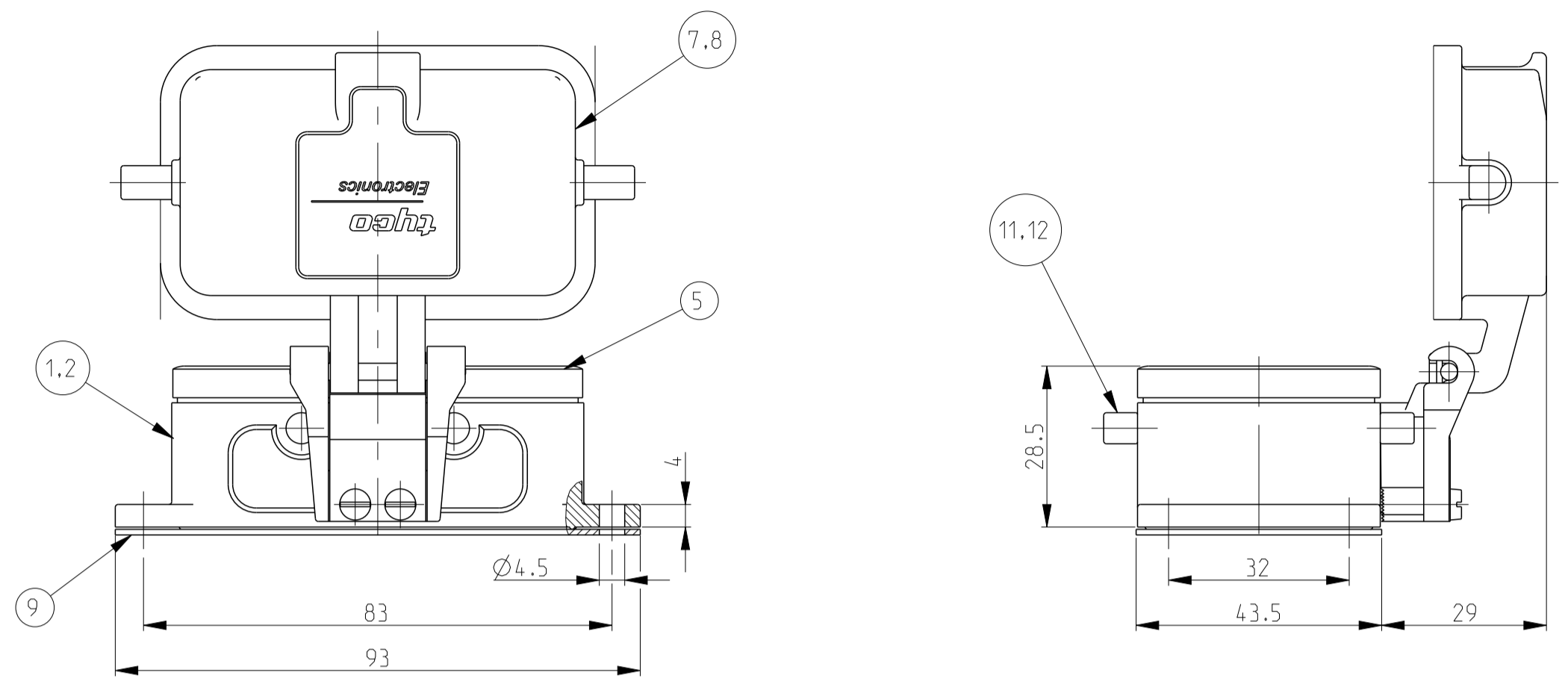
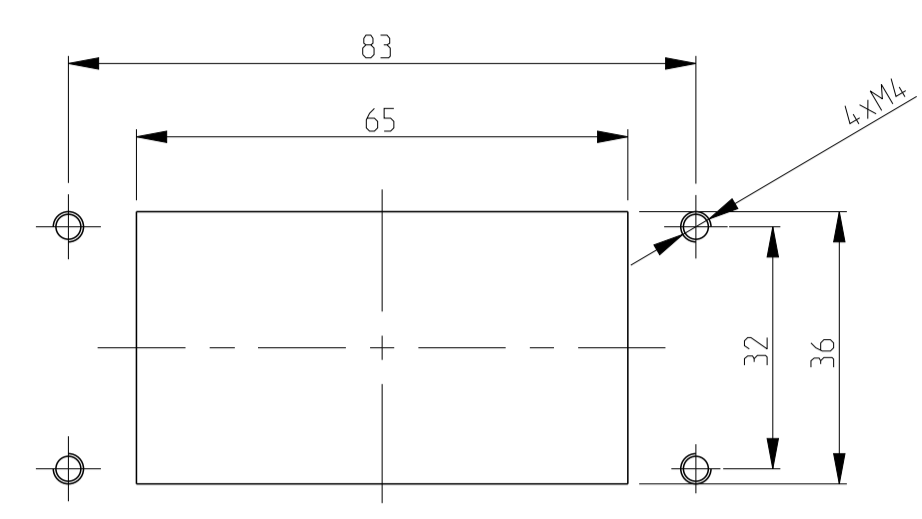


PN 1-6, 2-6 & 0-3



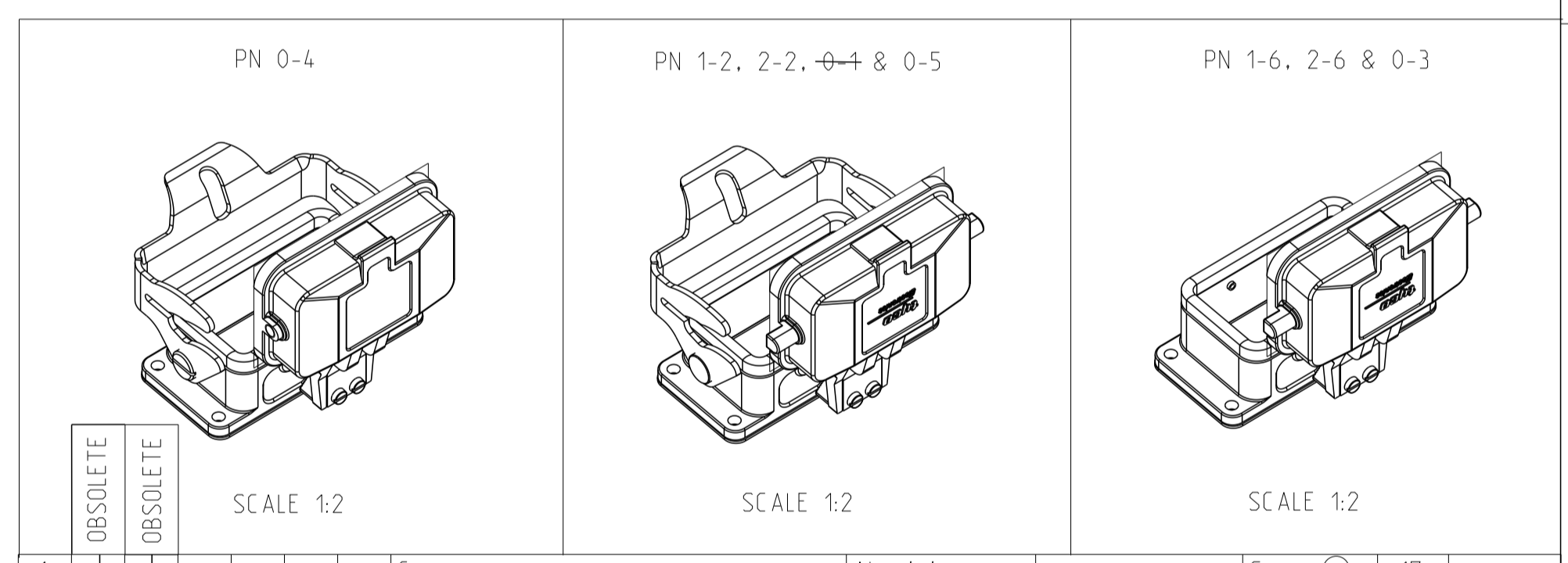
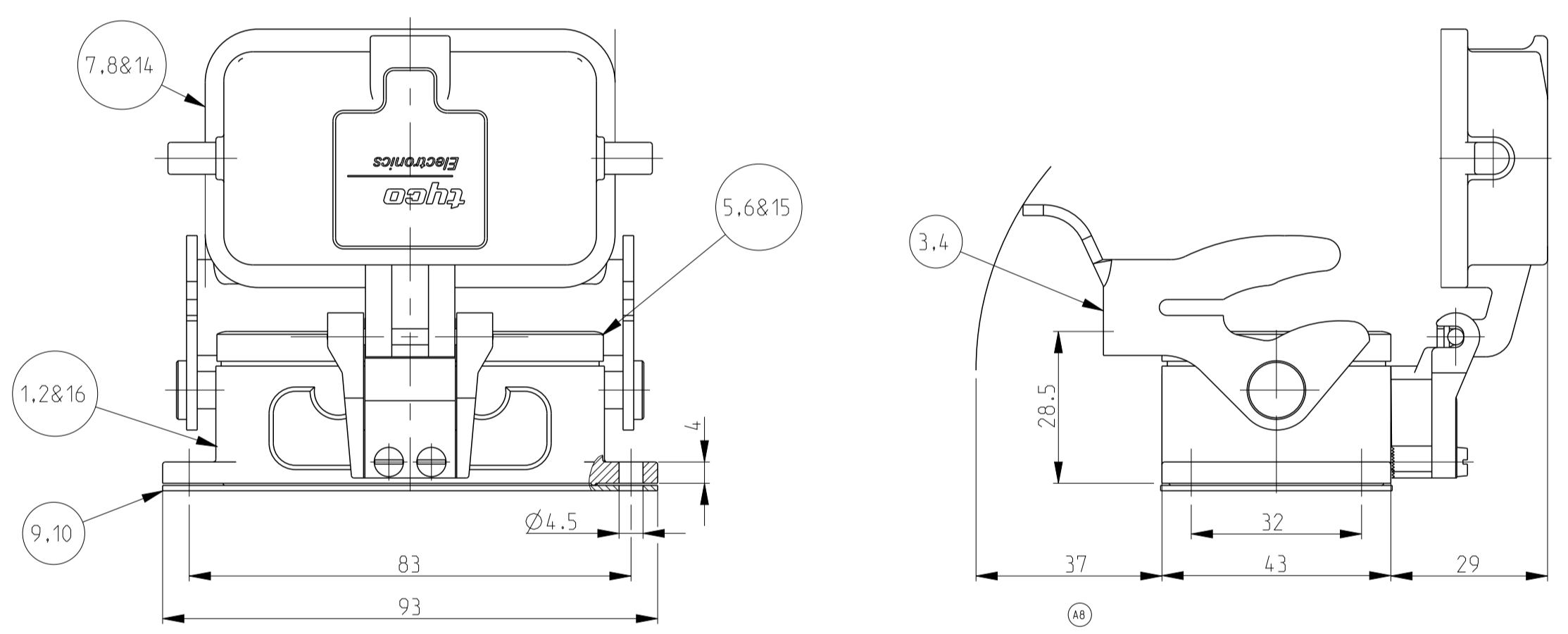
PANEL-CUT OUT



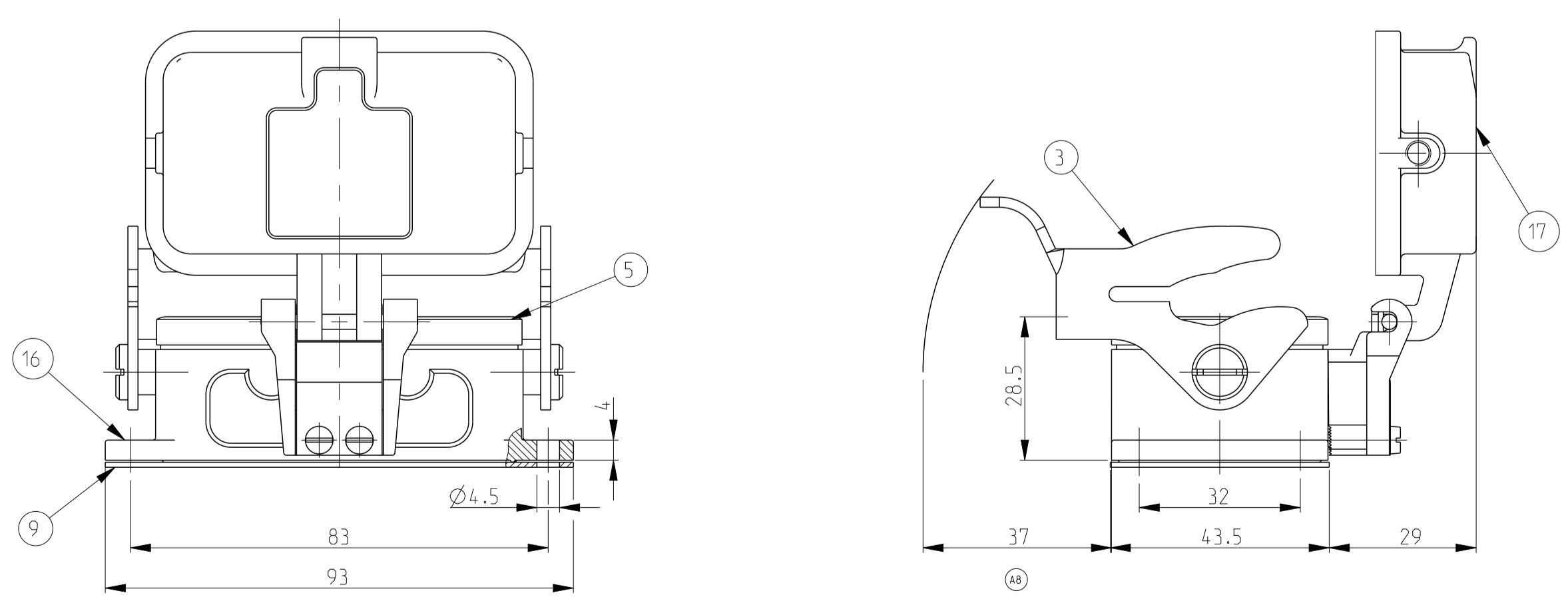
REVISIONS				
P	LTN	DESCRIPTION	DATE	APVD
A8	ECR-09-015566		10JUL2009	SR GW
A9	ECR-16-015318		16AUG2017	GR MKO
A10	ECR-16-016768		15NOV2017	GR MKO
A11	ECR-17-013084		29MAR2018	SG MKO

- NOTES
- Material : Housing : Aluminium diecasting alloy
 - Surface: Varnisch-Black
 -Aluminium oxide-Varnisch black
 -Chromital TCP-Passivation
 -Grey
 - Varnisch on the inside not necessary
 - Packaging
 Quantify 5 pieces in a box

PN 1-2, 2-2 .0-1 & 0-5



PN 0-4



QTY	REF	DESCRIPTION	MATERIAL	SURFACE	COLOR	ITEM NO	NOTES
1		Cover	Aluminium		Grey	17	
1		Surface mounted housing bottom entry HB	Aluminium		Grey	16	
		Profile seal	Neoprene		Black	15	Conductive
		Cover	Aluminium	SEE NOTE	Black	14	
		Surface mounted housing bottom entry HB-EMV	Aluminium	SEE NOTE	Black	13	
	4	Clip bolt	Stainless steel		Blank	12	
	4	Clip bolt	Steel	Zinc plated	Blue	11	
		Flange seal	Viton		Black	10	
1	1	Flange seal	Neoprene		Black	9	
	1	Cover	Aluminium	Aluminium oxide	Black	8	
	1	Cover	Aluminium		Grey	7	
		Profile seal	Viton		Grey	6	
1	1	Profile seal	Neoprene		Black	5	
	1	LB-Side clip	Stainless steel		Blank	4	
1	1	LB-Side clip	Steel	Zinc plated	Blue	3	
	1	Surface mounted housing bottom entry HB-K	Aluminium	Aluminium Oxide	Black	2	
	1	Surface mounted housing bottom entry HB	Aluminium		Grey	1	
0-5	0-4	0-1	2-6	1-6	2-2	1-2	DESCRIPTION
HB-10-AGD-LB	HB-EMV-10-AGD-LB	HB-K-10-AGD-LB-V	HB-K-10-AGD	HB-K-10-AGD-LB	HB-10-AGD-LB		ORDERING TEXT
							DESCRIPTION
							MATERIAL
							SURFACE
							COLOR
							ITEM NO
							NOTES

THIS DRAWING IS A CONTROLLED DOCUMENT. DWG: Schneider 18.05.2000
 CHK: Schweiiger 18.05.2000

DIMENSIONS: mm

TOLERANCES UNLESS OTHERWISE SPECIFIED:
 0 - 0.15mm
 1 - 0.20mm
 2 - 0.30mm
 3 - 0.40mm
 4 - 0.50mm
 ANGLES: #

MATERIAL: FINISH: #

WEIGHT: A1 00779

CUSTOMER DRAWING

SCALE: 1:1 SHEET: 1 OF 1 REV: A11

TE Connectivity
 Surface mounted housing bottom entry HB.10.AGD

SIZE: CAGE CODE: DRAWING NO: 1102283

X-ON Electronics

Largest Supplier of Electrical and Electronic Components

Click to view similar products for [Heavy Duty Power Connectors](#) category:

Click to view products by [TE Connectivity](#) manufacturer:

Other Similar products are found below :

[647757-1](#) [6643411-1](#) [6646058-2](#) [6646137-1](#) [6646138-1](#) [6646479-1](#) [6646608-1](#) [6646786-1](#) [6646940-1](#) [6651091-1](#) [6651525-1](#) [6651529-1](#)
[6651788-1](#) [696475-1](#) [702-32-01109](#) [703-25-02205](#) [73000005059](#) [73000005642](#) [73080255059](#) [73080965046](#) [765-15-0080A](#) [765-16-0080B](#)
[765-18-0080D](#) [829992-1](#) [902-77-02113](#) [PS00/A0620/6300](#) [PS25/A0420/63](#) [129-1J](#) [1409400](#) [AN0024023](#) [E6374G1](#) [e6389g2](#) [157-43GW8](#)
[MS3117-14AC](#) [1643543-1](#) [1650540-1](#) [1651811-2](#) [1766260-1](#) [1766282-1](#) [1766966-1](#) [1791340000](#) [NLDFT-3-BL-L-S120-M40A](#) [NLDFT-N-](#)
[W-L-C240-M40B](#) [NLS-2-R-C240-M40B](#) [NLS-N-W-C240-M40B](#) [NPS-3-BL-T6](#) [1986615-1](#) [2-1589900-8](#) [2199314-1](#) [KA8102](#)