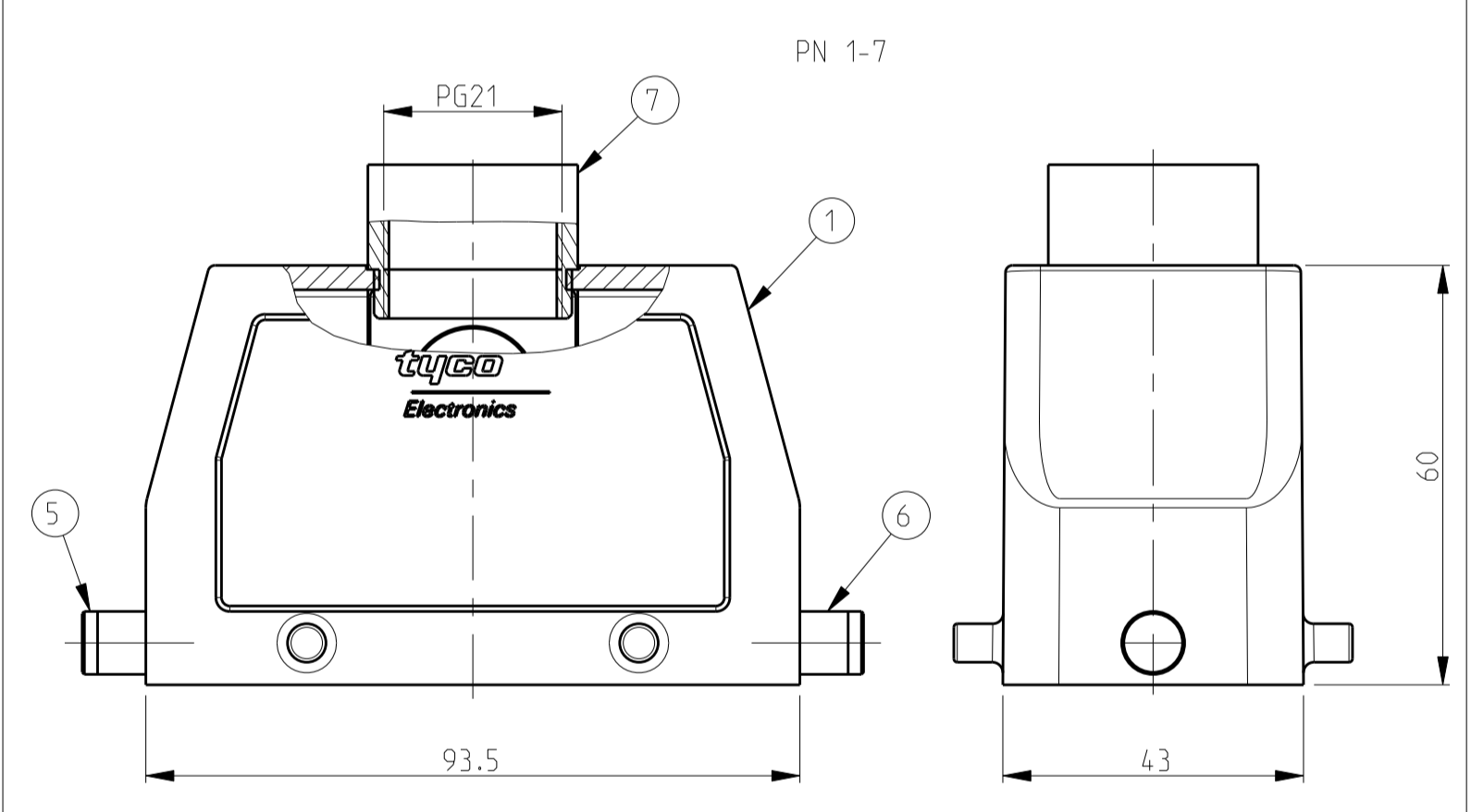
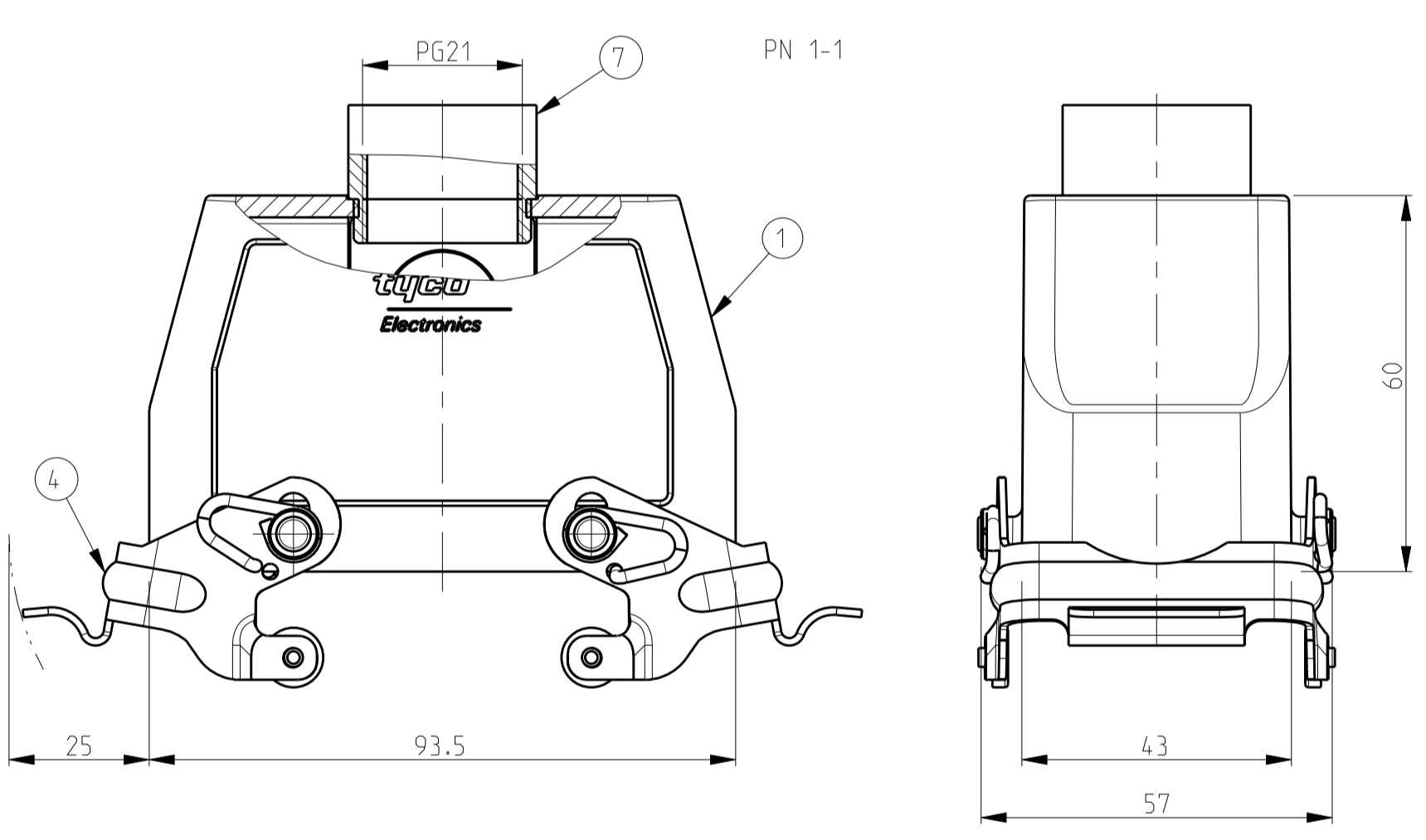
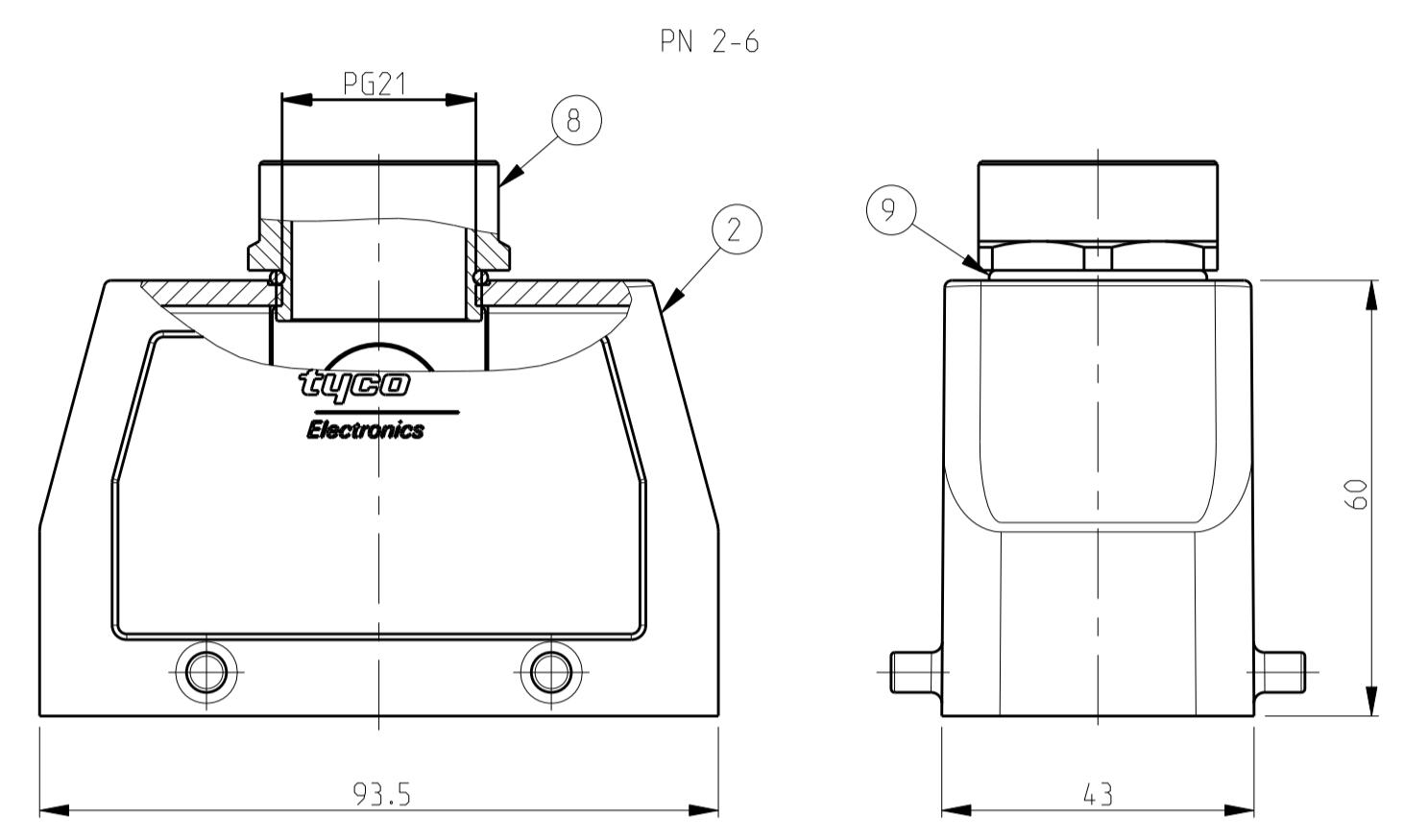
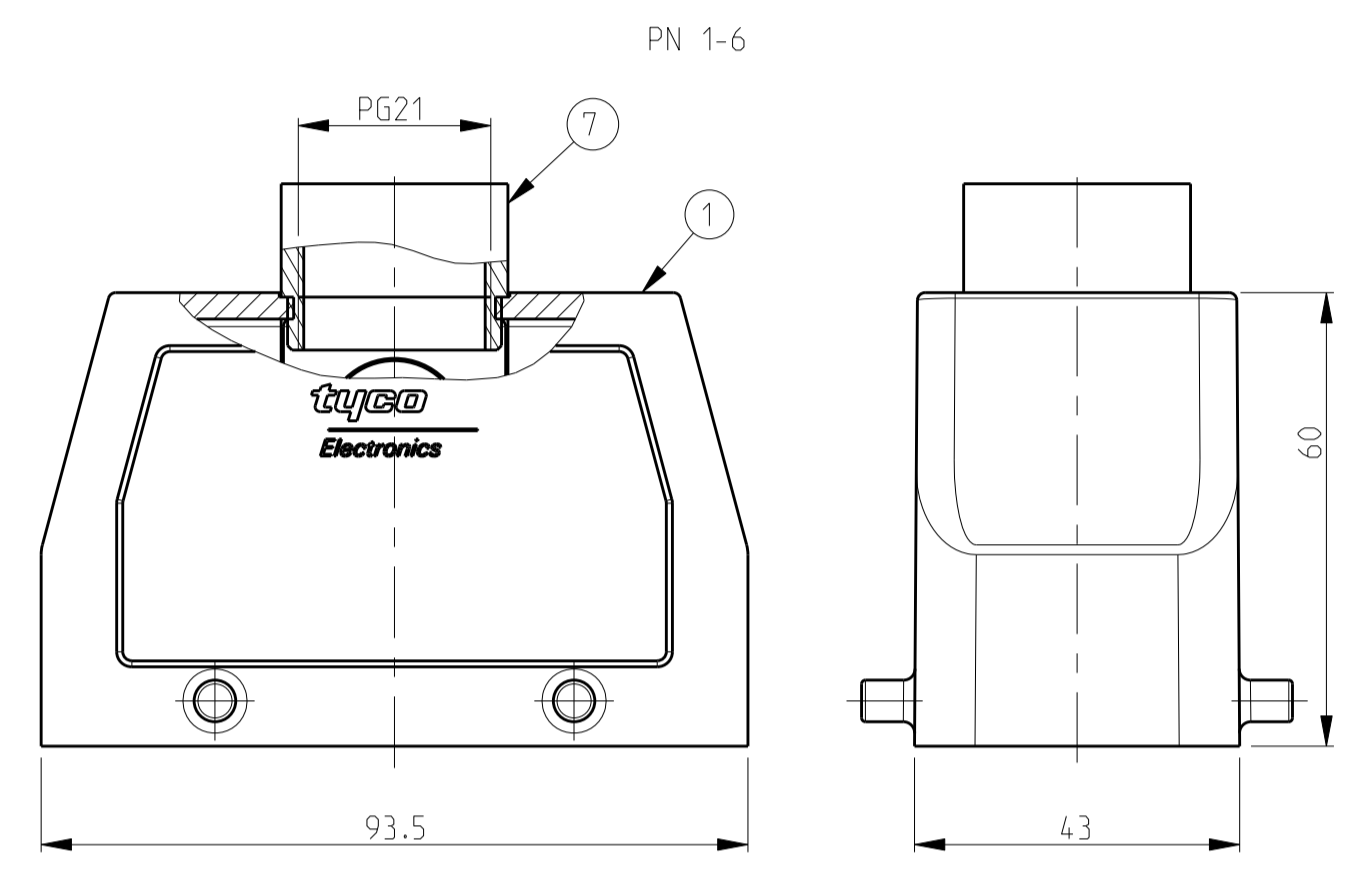
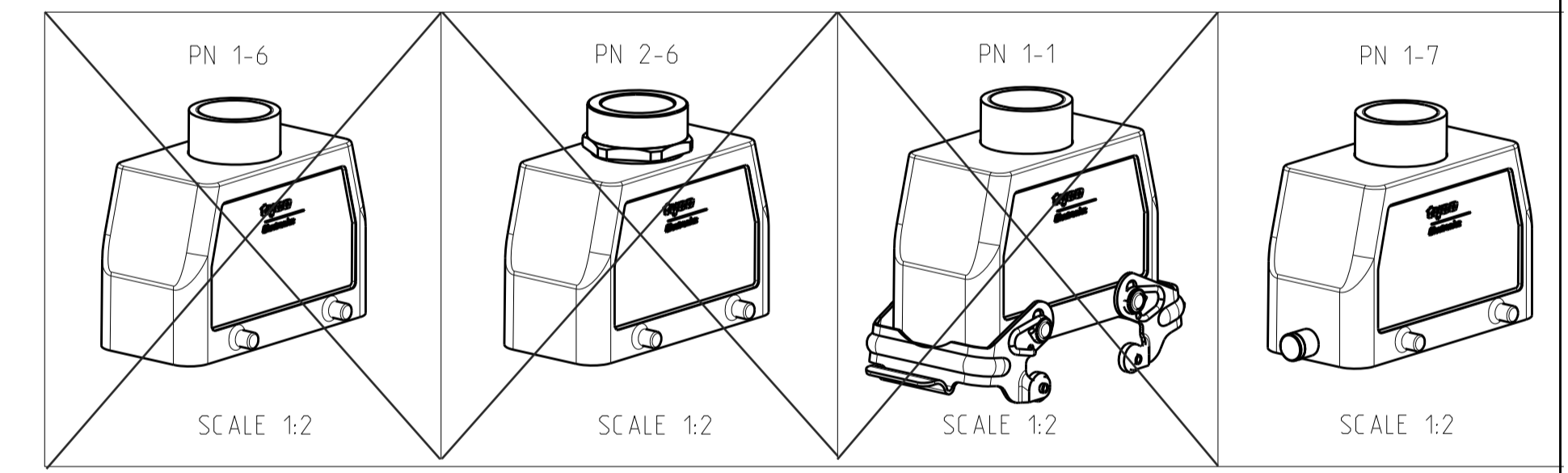


LOC	DIST	REVISIONS			
REV	LTN	DESCRIPTION	DATE	DWN	APVD
A3		Released as per ECR-08-011916	12.May.2008	SP	TS
A4		ECR-17-014033	13MAR2018	SG	MKO



- NOTES
- Material: Housing: aluminium diecasting alloy
 - Surface:- Varnish grey
Aluminium oxide+Varnish Black
 - Varnish on the inside not necessary
 - Packaging
Packaging quantity 5 piece in a box



QTY	DESCRIPTION	MATERIAL	SURFACE	COLOR	ITEM NO	NOTES
1	O-Ring Pg21	Brass		Black	9	
1	6-Kt-Adapter Pg21	Brass	Nickel Plated		8	
1	Adapter Pg21	Brass	Nickel Plated		7	
2	LB-Slide Spool	Steel	Zinc Plated	Blue	6	
2	LB-Clip bolt	Steel	Zinc Plated	Blue	5	
2	VS-Locking Clip	Steel	Zinc Plated	Blue	4	
	VS-CLIP BOLT	Stainless Steel			3	
1	Hood HB16	Aluminium	Aluminium Oxide	Black	2	
1	Hood HB16	Aluminium		Grey	1	
1-7	DESCRIPTION	MATERIAL	SURFACE	COLOR	ITEM NO	NOTES
ORDERING TEXT						
HB.16.STO.1.21.Z						
HB-K.16.STO.1.21.Z						
HB.16.STO-VS.1.21.Z						
HB.16.STO-GR.1.21.Z						

DIMENSIONS:		TOLERANCES UNLESS OTHERWISE SPECIFIED:		DWN 05.06.02		Schneider		TE Connectivity	
mm		FRACTIONAL DECIMAL		Schneider 05.06.02		Schweiger		NAME	
MATERIAL		FINISH		PRODUCT SPEC 108-74001		108-74003		Hood	
				APPLICATION SPEC 114-74001		114-74004		HB.16.1.21.Z	
				SIZE		CAGE CODE		DRAWING NO	
				A		00779		©=1102294	
				SCALE		1:1		SHEET 1 OF 1	

X-ON Electronics

Largest Supplier of Electrical and Electronic Components

Click to view similar products for [Heavy Duty Power Connectors](#) category:

Click to view products by [TE Connectivity](#) manufacturer:

Other Similar products are found below :

[1424439](#) [1424438](#) [09330062652](#) [605601-1](#) [6340G1](#) [6341G1](#) [6360G1](#) [6373G1](#) [6374g2](#) [6396G1](#) [647757-1](#) [6643411-1](#) [6646058-2](#) [6646137-1](#)
[6646138-1](#) [6646348-1](#) [6646479-1](#) [6646608-1](#) [6646786-1](#) [6646940-1](#) [6651525-1](#) [6651529-1](#) [6651778-1](#) [6651788-1](#) [696465-1](#) [696475-1](#)
[73000005059](#) [73000005349](#) [73000005642](#) [73080965046](#) [765-15-0080A](#) [765-16-0080B](#) [789.700-44](#) [789.700-54](#) [80-1010](#) [80-9](#) [827381-1](#)
[829992-1](#) [902-77-02113](#) [PL00U-301-10D10](#) [PM103MOOLOO](#) [PM212MOOLOO](#) [PM309FOOLOO](#) [PM324FOOLCH](#) [PMHPAF11S03](#)
[PMHPAF14S01](#) [PMHPAM14P05](#) [PMHPAS06](#) [PMHPBF14S01](#) [PP45PC12S](#)