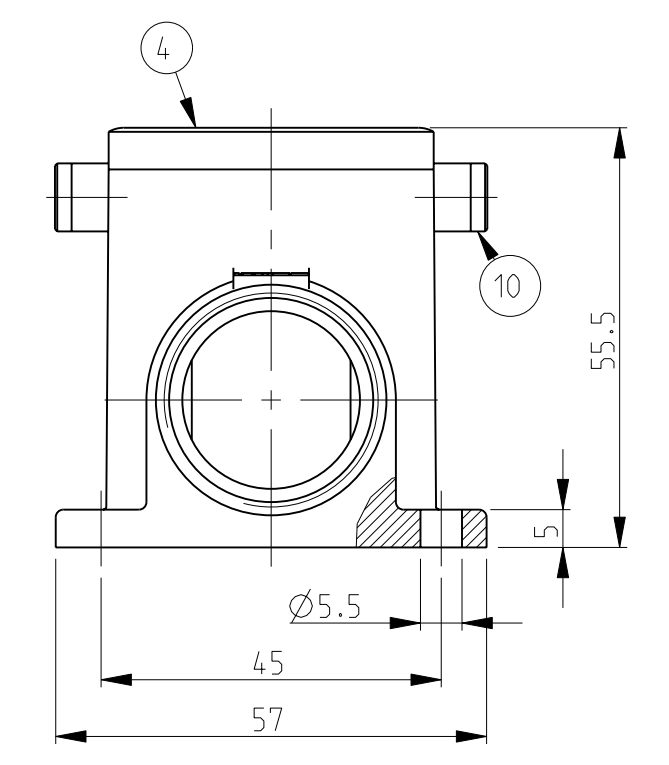
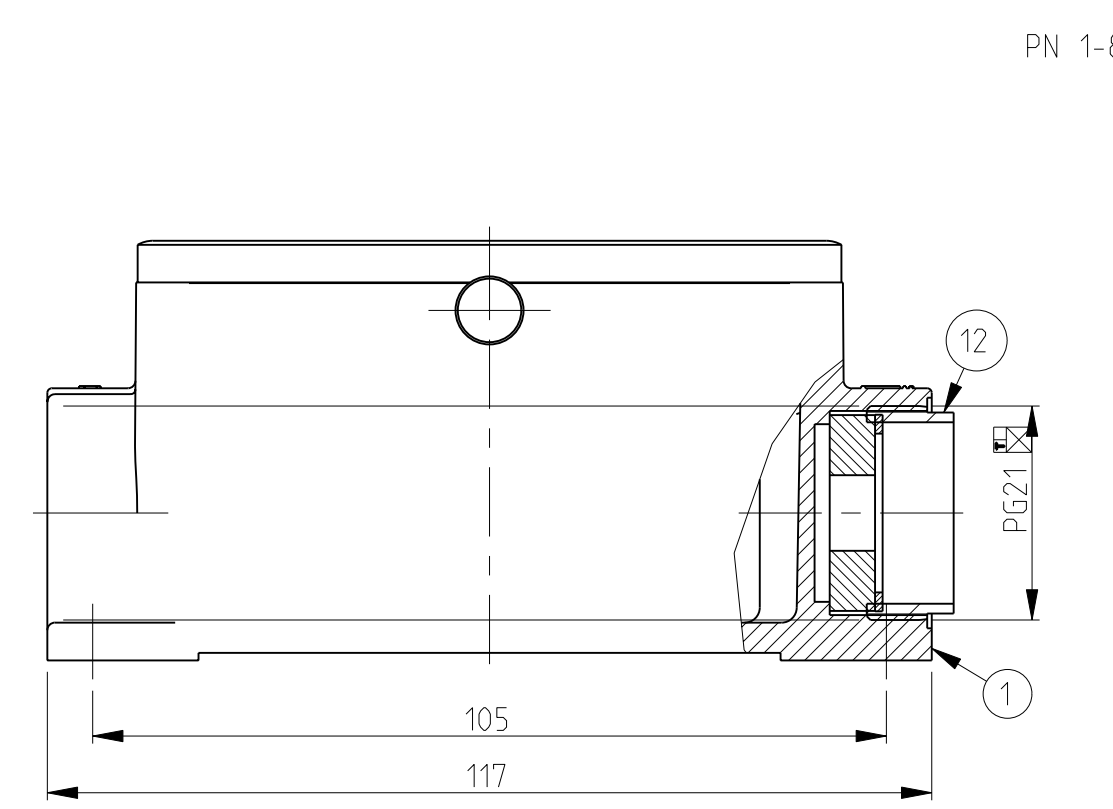
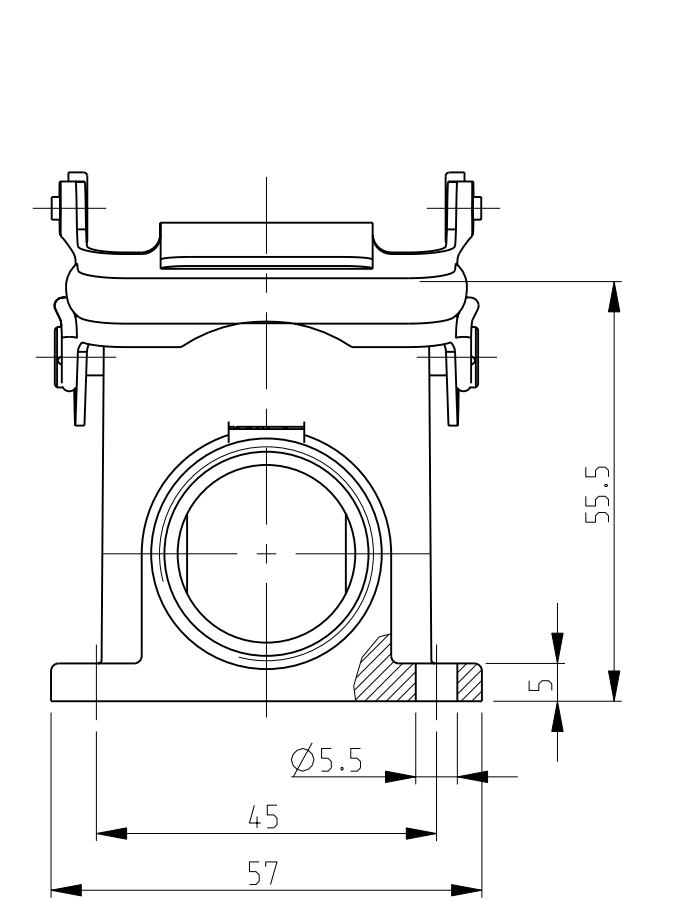
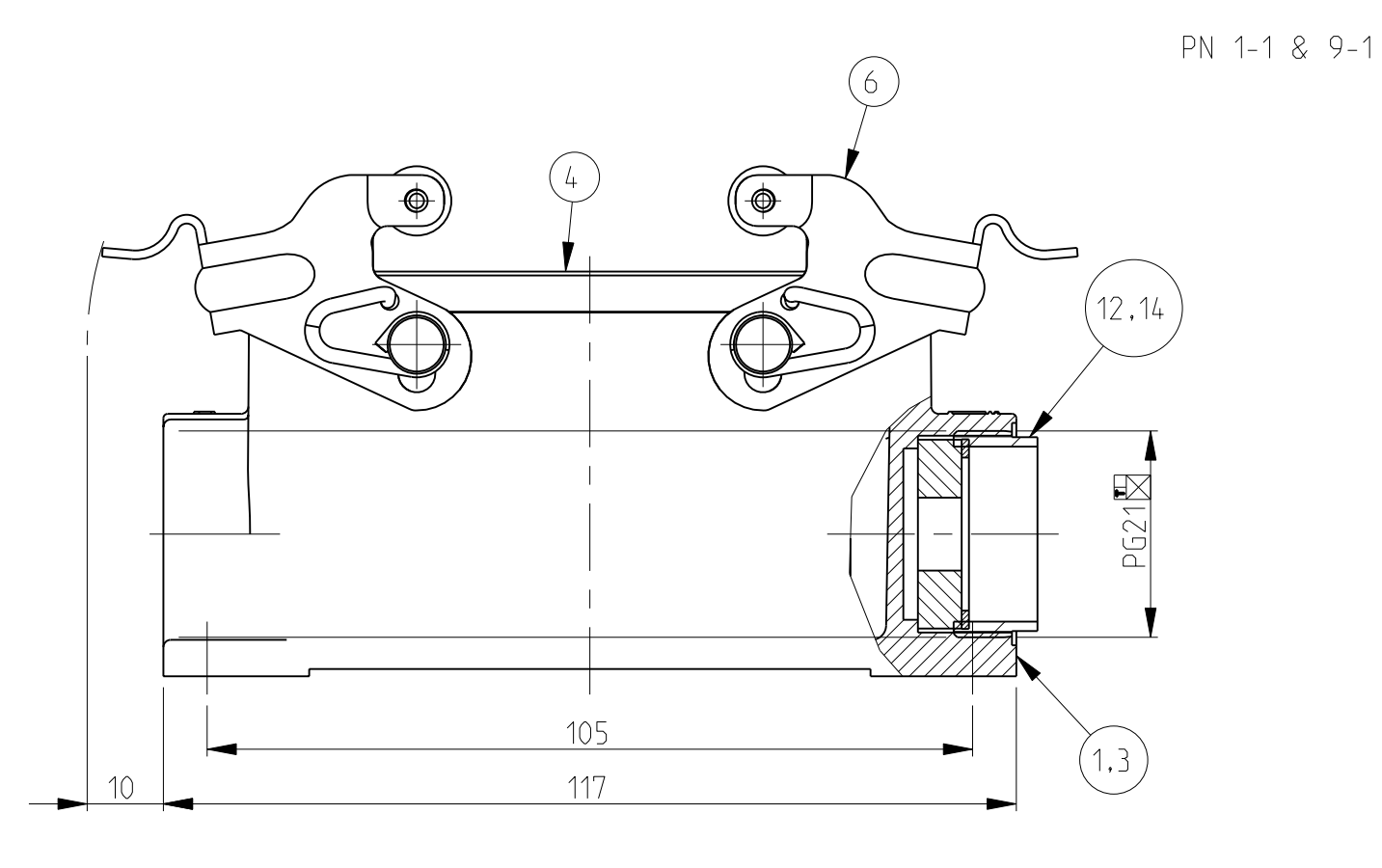
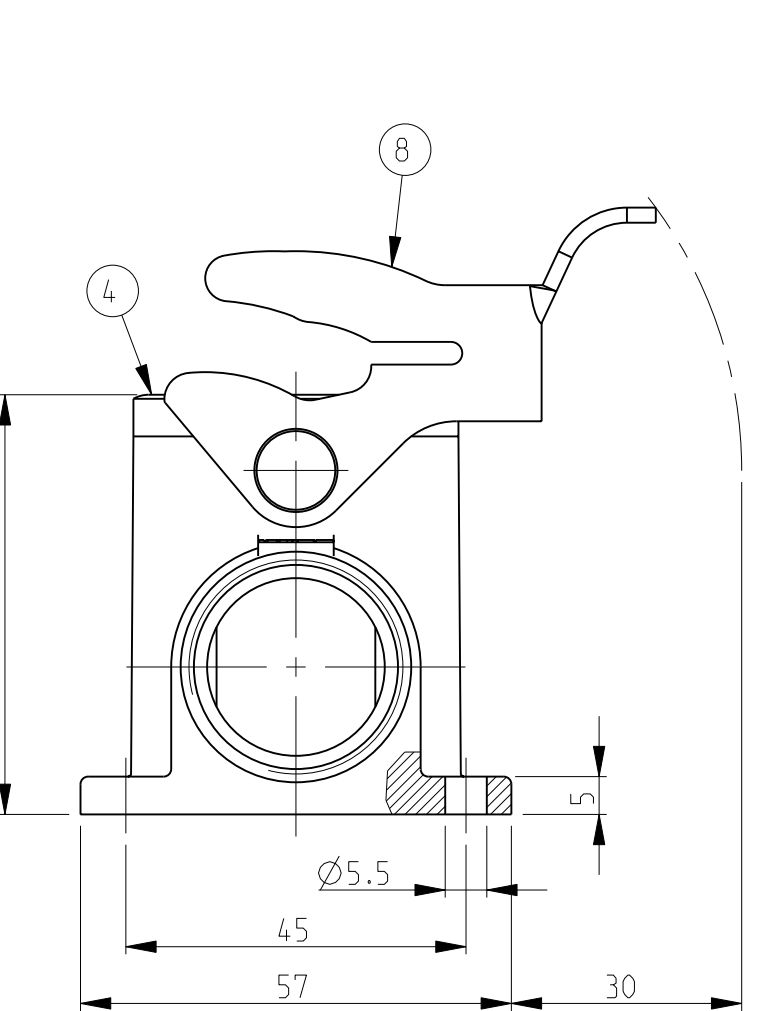
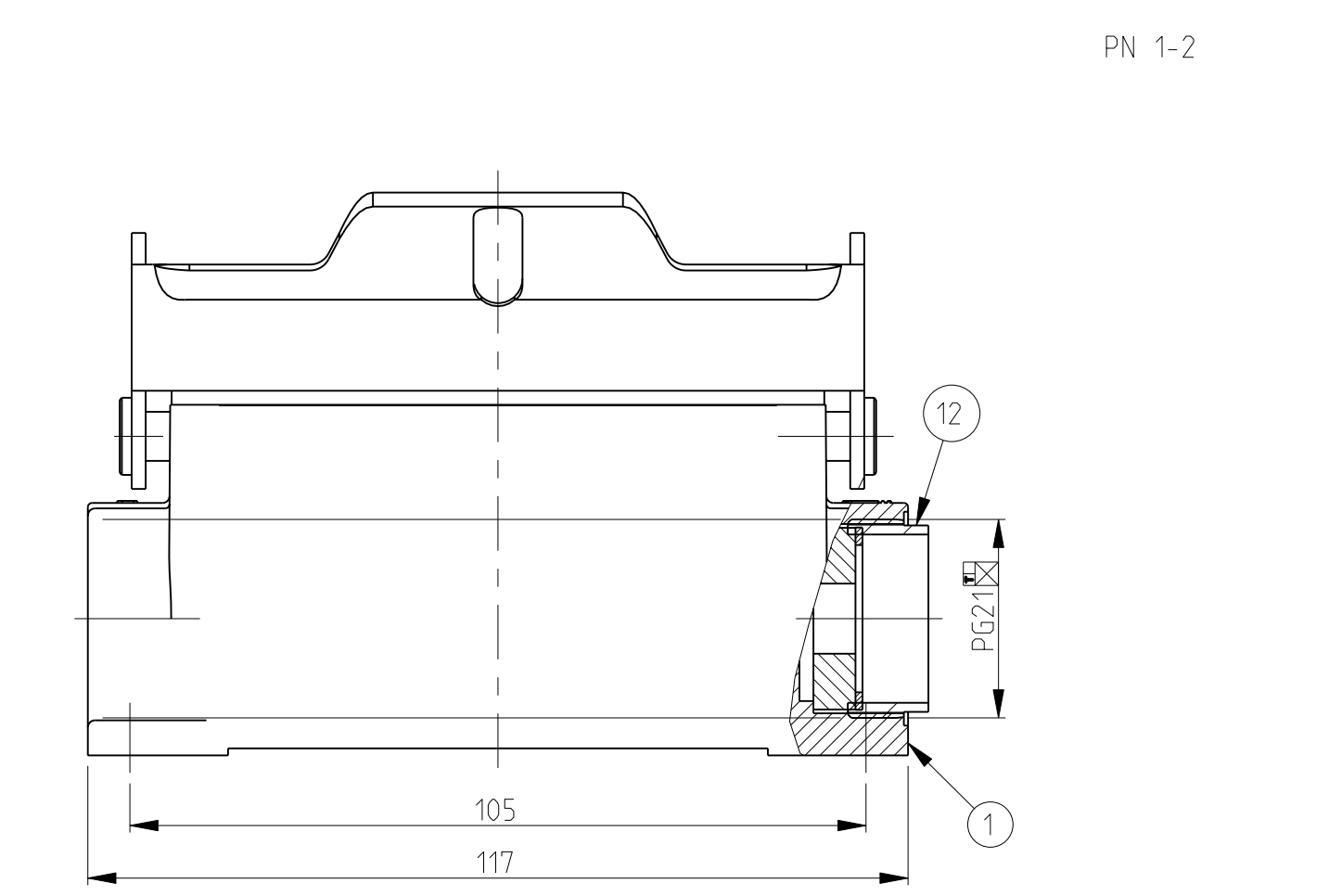
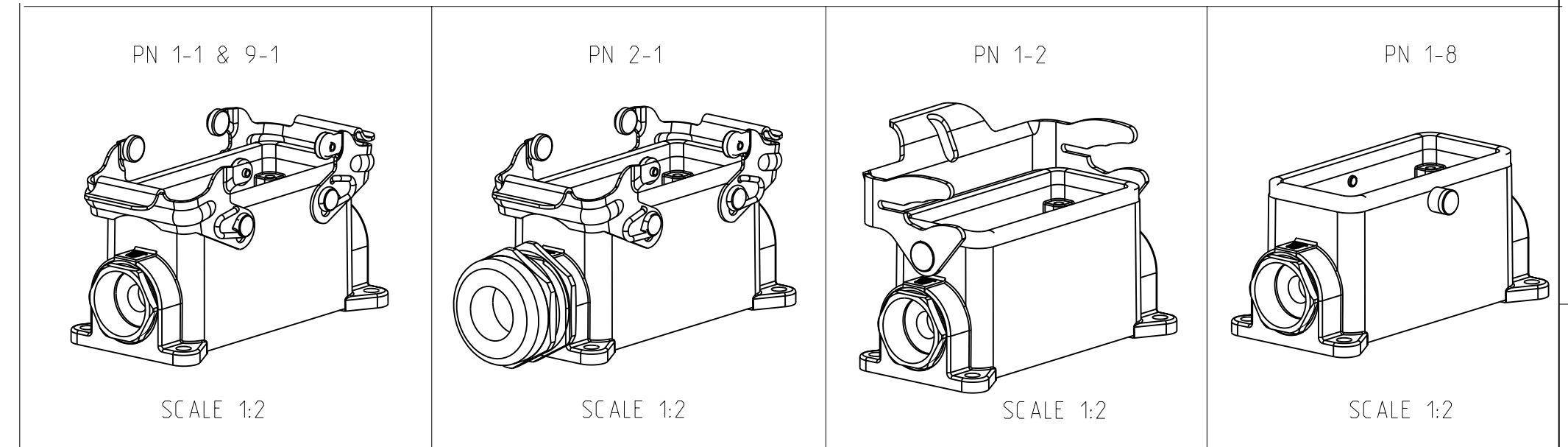
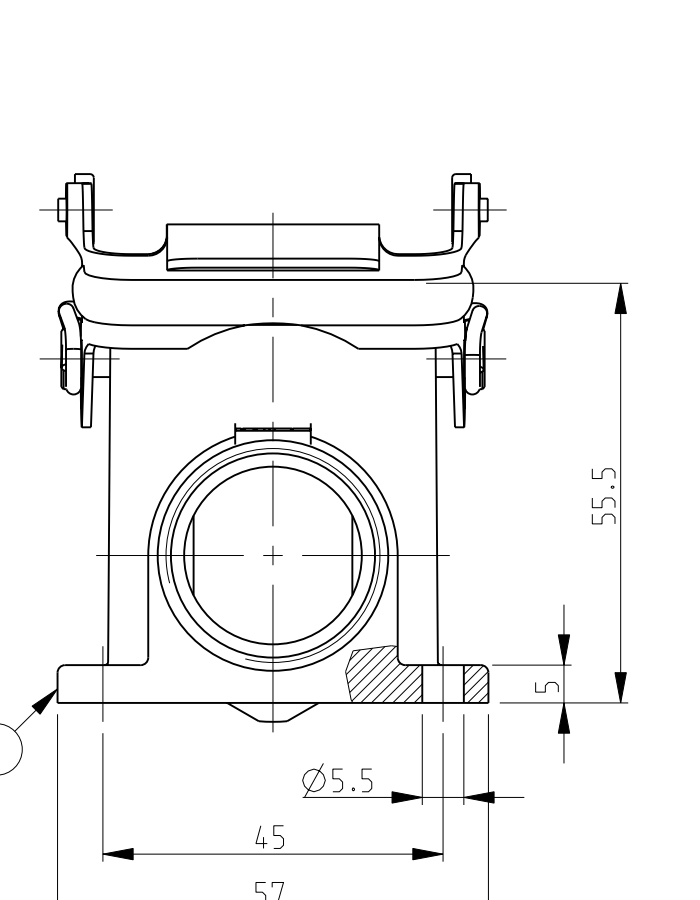
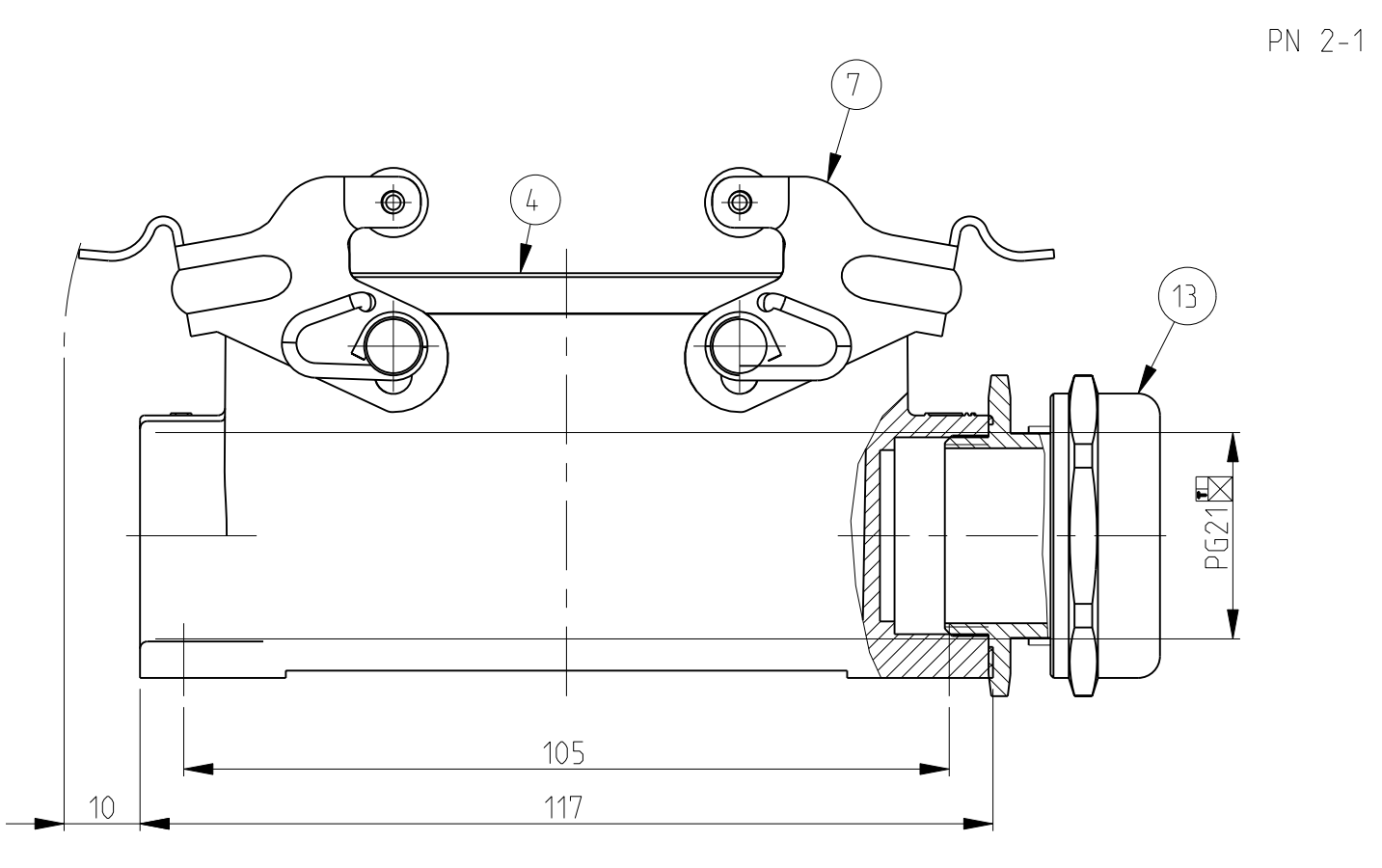


LOC	DIST	REVISIONS			
P	LTB	DESCRIPTION	DATE	DWN	APVD
A5	ECR-16-016768		15NOV2017	GR	MKO



- NOTES.
- Material:Housing:Aluminium Diecasting Alloy
Seals:Neoprene
 - Surface:Varnish grey
-Aluminium Oxide +Varnish Black
 - Varnish on the inside not necessary
 - Packaging
Quantity 5 Pieces in a box
 - OBsolete PARTS: OBSOLETE CIS STREAMLINING PER D.RENAUD/D.SINISI



QTY	ITEM NO	DESCRIPTION	MATERIAL	SURFACE	COLOR	REMARKS	
1	1	DS-Cable fitting Pg21	Brass	Nickel plated		14 Sealing with viton	
1	2	Hut-Gland Fitting Pg21	Brass	Nickel plated		13	
1	3	DS-Cable fitting Pg21	Brass	Nickel plated		12	
1	4	ZB-Clip Positioner	Stainless steel			11	
1	5	ZB-Clip Positioner	Steel	Zinc plated		10	
1	6	LB-Side Clip	Stainless steel			9	
1	7	LB-Side Clip	Steel	Zinc plated		8	
1	8	VS-Locking Clip	Stainless steel			7	
1	9	VS-Locking Clip	Steel	Zinc plated		6	
1	10	Profile seal	Viton		Grey	5	
1	11	Profile seal	Neoprene		Black	4	
1	12	Surface mounted housing side entry HB.16.Pg.1.21	Aluminium		Without varnish	3	
1	13	Surface mounted housing side entry HB.16.Pg.1.21	Aluminium	Aluminium oxide	Black RAL 9005	2	
1	14	Surface mounted housing side entry HB.16.Pg.1.21	Aluminium		Grey RAL 7001	1	
9-1	12-8	1-8	2-2	1-2	2-1	1-1	
ORDERING TEXT							
HB.16.SG-VS.1.21							
HB-K.16.SG-VS.4.21							
HB.16.SG-LB.1.21							
HB-K.16.SG-LB.1.21							
HB-Z.16.SG-ZVGR.1.21							
HB-K/Z.16.SG-ZVGR.1.21							
HB.16.SG-VS.1.21-SO							

DIMENSIONS: mm
 TOLERANCES UNLESS OTHERWISE SPECIFIED:
 0-10mm: ±0.15mm
 10-30mm: ±0.2mm
 30-50mm: ±0.25mm
 50-100mm: ±0.3mm
 100-150mm: ±0.4mm
 150-200mm: ±0.5mm
 ANGLES: ±0.5°
 FINISH: -

DWN: Schneider 21.07.1999
 CHK: Schwaiger 21.07.1999
 APVD: -
 NAME: -
 PRODUCT SPEC: 108-74001.74003
 APPLICATION SPEC: 114-74001.74004
 WEIGHT: -
 CUSTOMER DRAWING: -

STE TE Connectivity
 Surface mounted housing side entry HB.16.1.21
 SIZE: A | 00779 | C=1102298
 SCALE: 1:1 SHEET: 1 OF 1 REV: A5

X-ON Electronics

Largest Supplier of Electrical and Electronic Components

Click to view similar products for [Heavy Duty Power Connectors](#) category:

Click to view products by [TE Connectivity](#) manufacturer:

Other Similar products are found below :

[647757-1](#) [6643411-1](#) [6646058-2](#) [6646137-1](#) [6646138-1](#) [6646479-1](#) [6646608-1](#) [6646786-1](#) [6646940-1](#) [6651091-1](#) [6651525-1](#) [6651529-1](#)
[6651788-1](#) [696475-1](#) [702-32-01109](#) [703-25-02205](#) [73000005059](#) [73000005642](#) [73080255059](#) [73080965046](#) [765-15-0080A](#) [765-16-0080B](#)
[765-18-0080D](#) [829992-1](#) [902-77-02113](#) [PS00/A0620/6300](#) [PS25/A0420/63](#) [129-1J](#) [1409400](#) [AN0024023](#) [E6374G1](#) [e6389g2](#) [157-43GW8](#)
[MS3117-14AC](#) [1643543-1](#) [1650540-1](#) [1651811-2](#) [1766260-1](#) [1766282-1](#) [1766966-1](#) [1791340000](#) [NLDFT-3-BL-L-S120-M40A](#) [NLDFT-N-](#)
[W-L-C240-M40B](#) [NLS-2-R-C240-M40B](#) [NLS-N-W-C240-M40B](#) [NPS-3-BL-T6](#) [1986615-1](#) [2-1589900-8](#) [2199314-1](#) [KA8102](#)