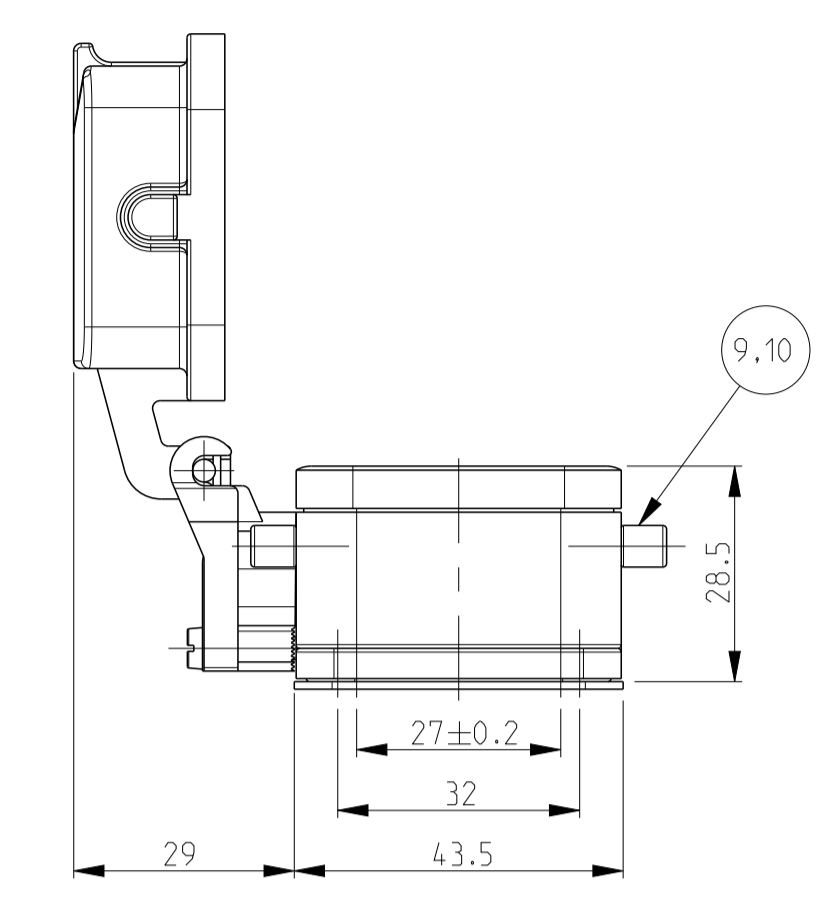
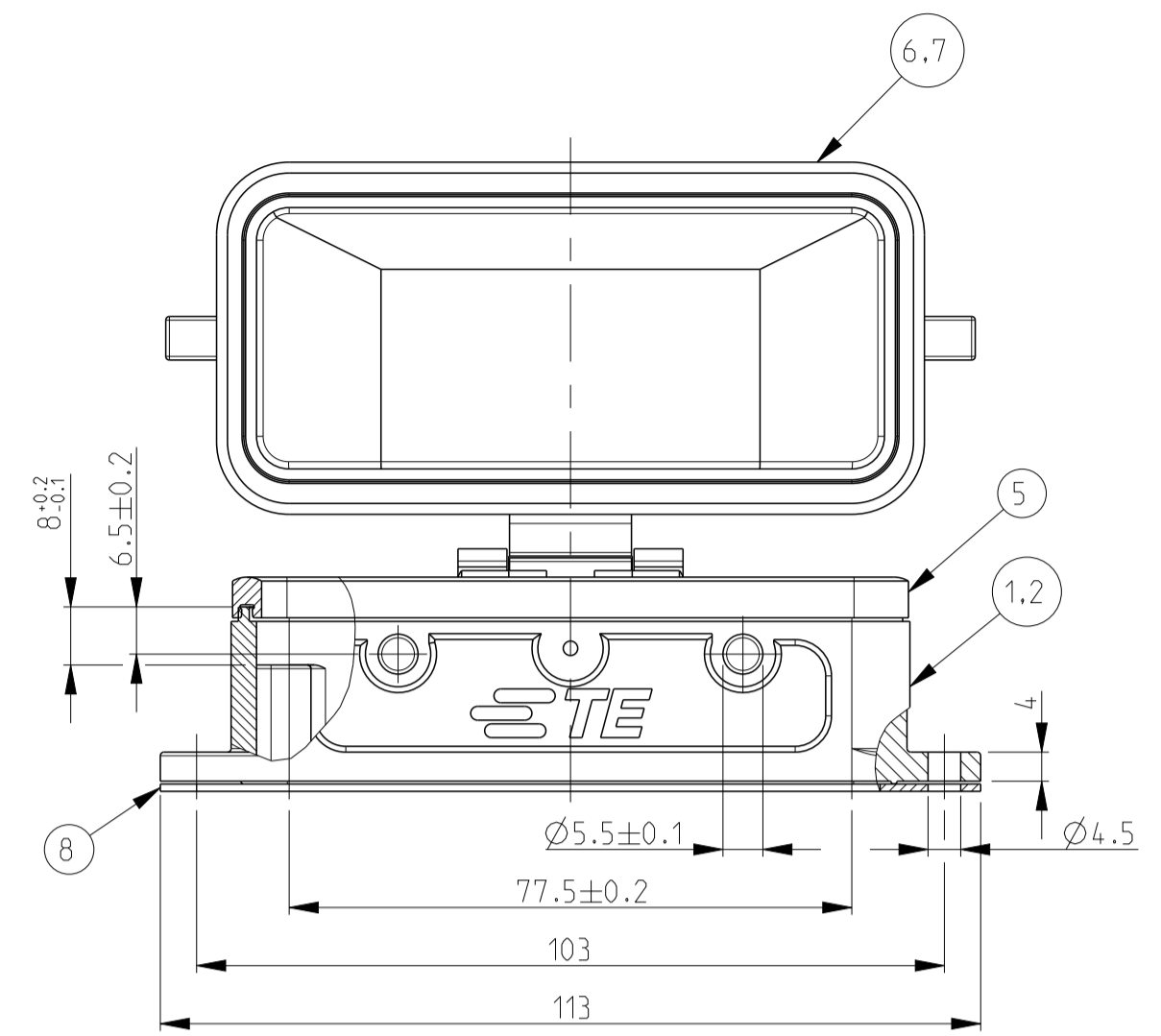
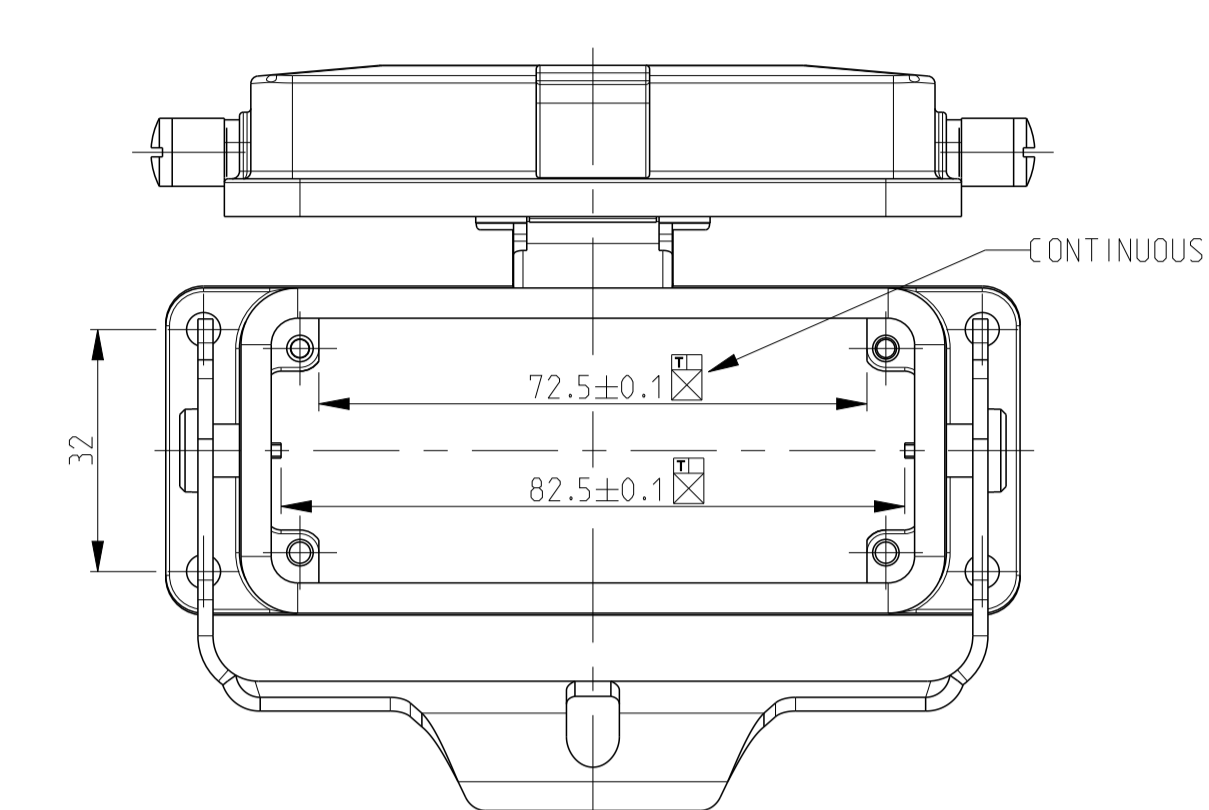


REVISIONS					
P	LTN	DESCRIPTION	DATE	DWN	APVD
BB		Released as per ECR-07-030430	17.12.07	SP	TS
C		ECR-15-015728	19APR2016	GCM	JB
C1		ECR-16-015318	20SEP2017	GR	MKO
C2		ECR-16-016768	15NOV2017	GR	MKO

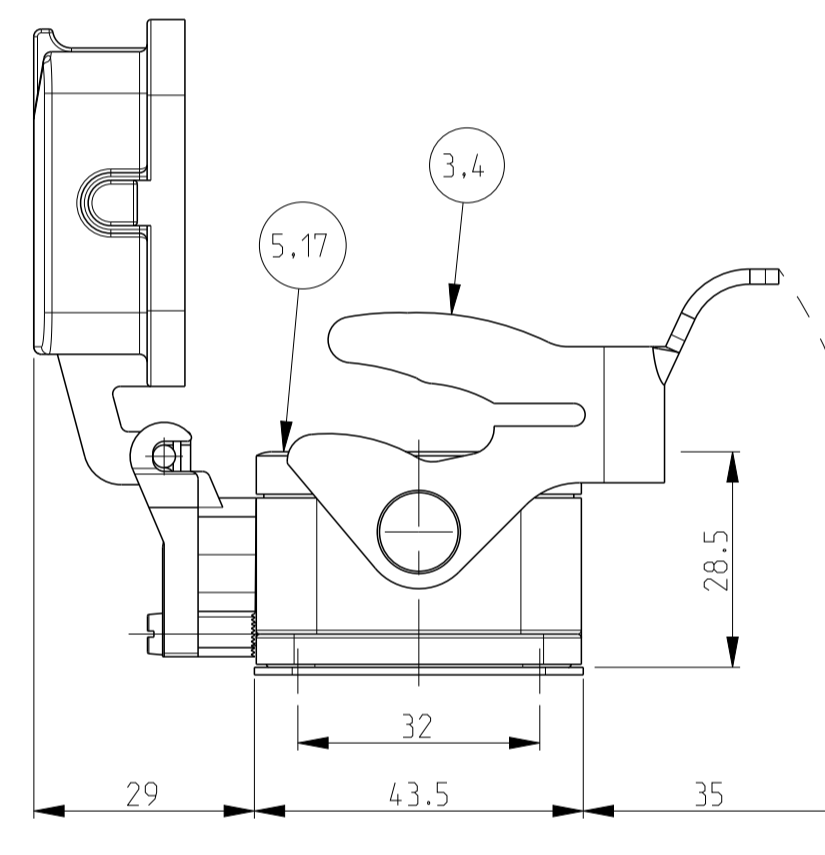
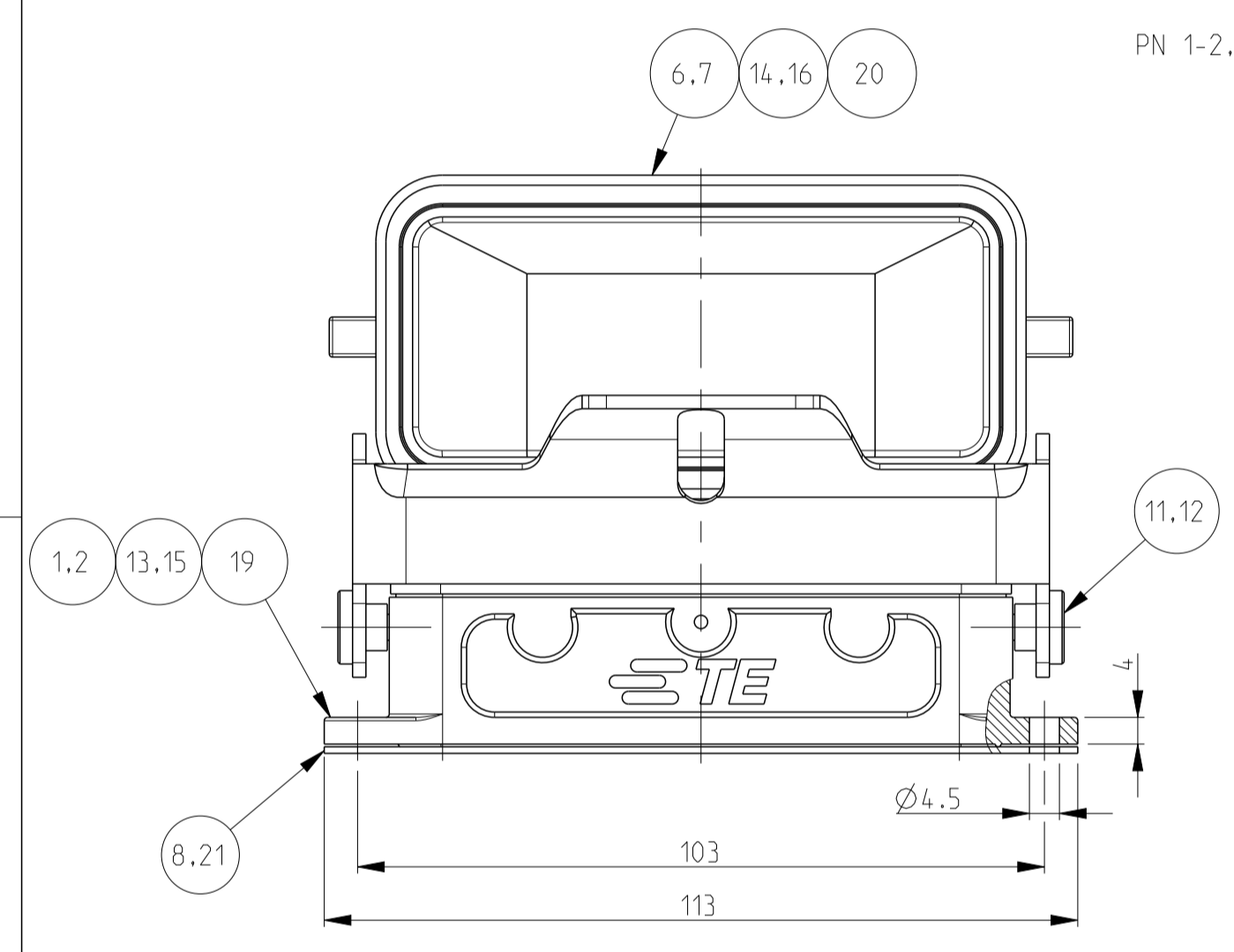
PN 1-6.2-6 & 0-2



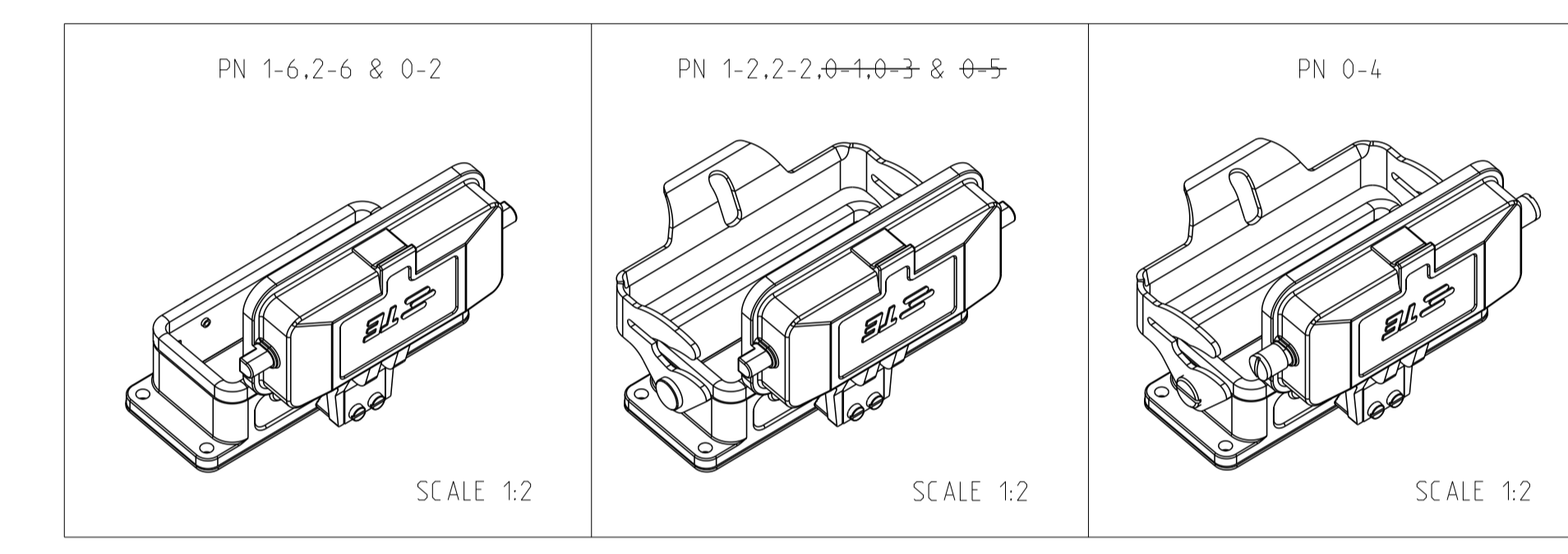
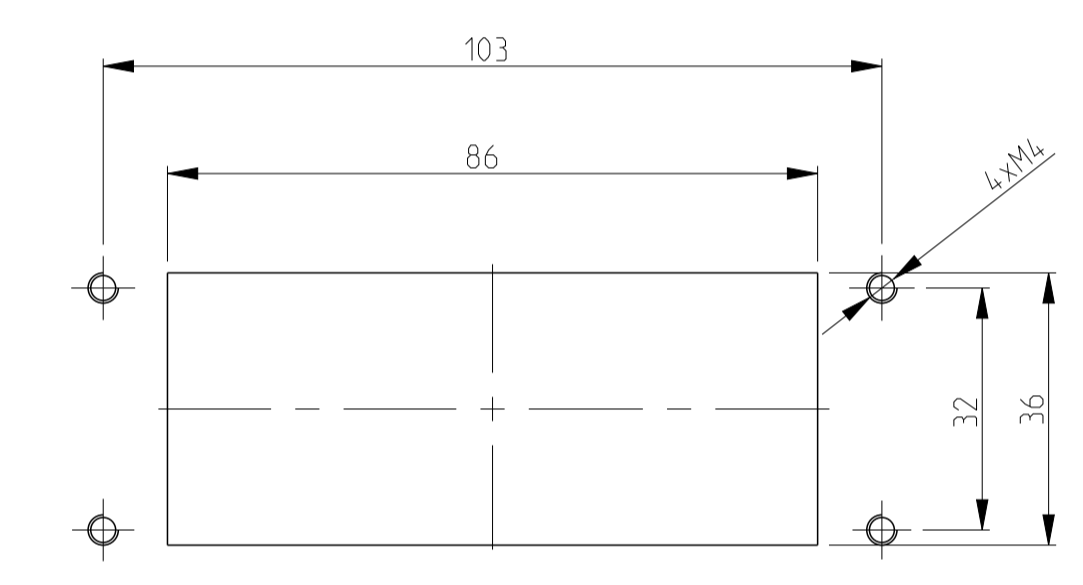
LANDING MILLED OFF



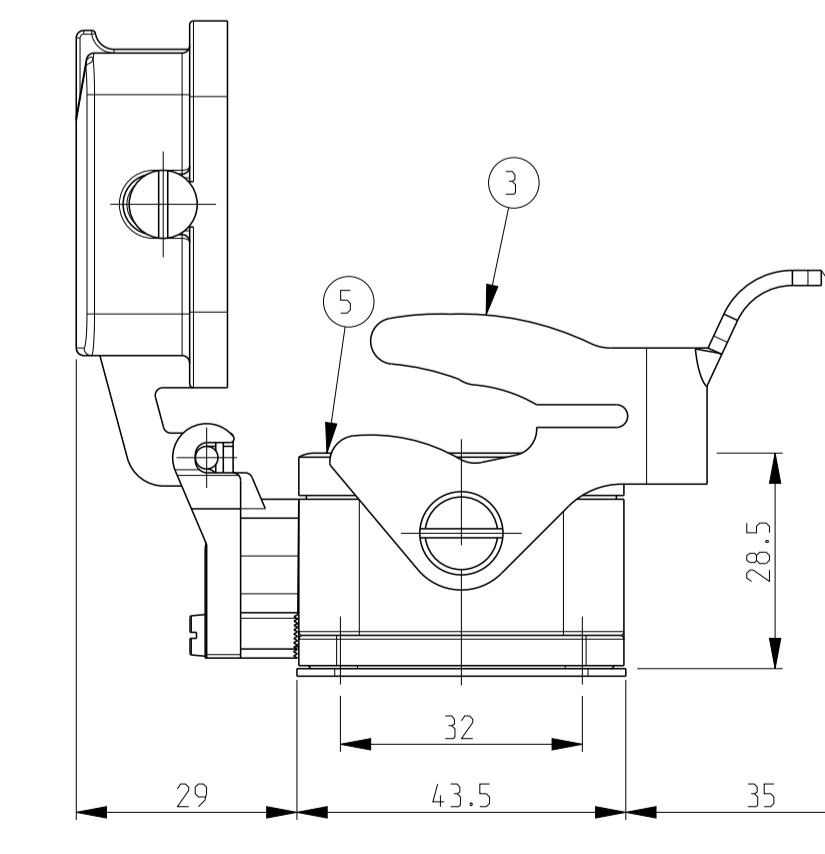
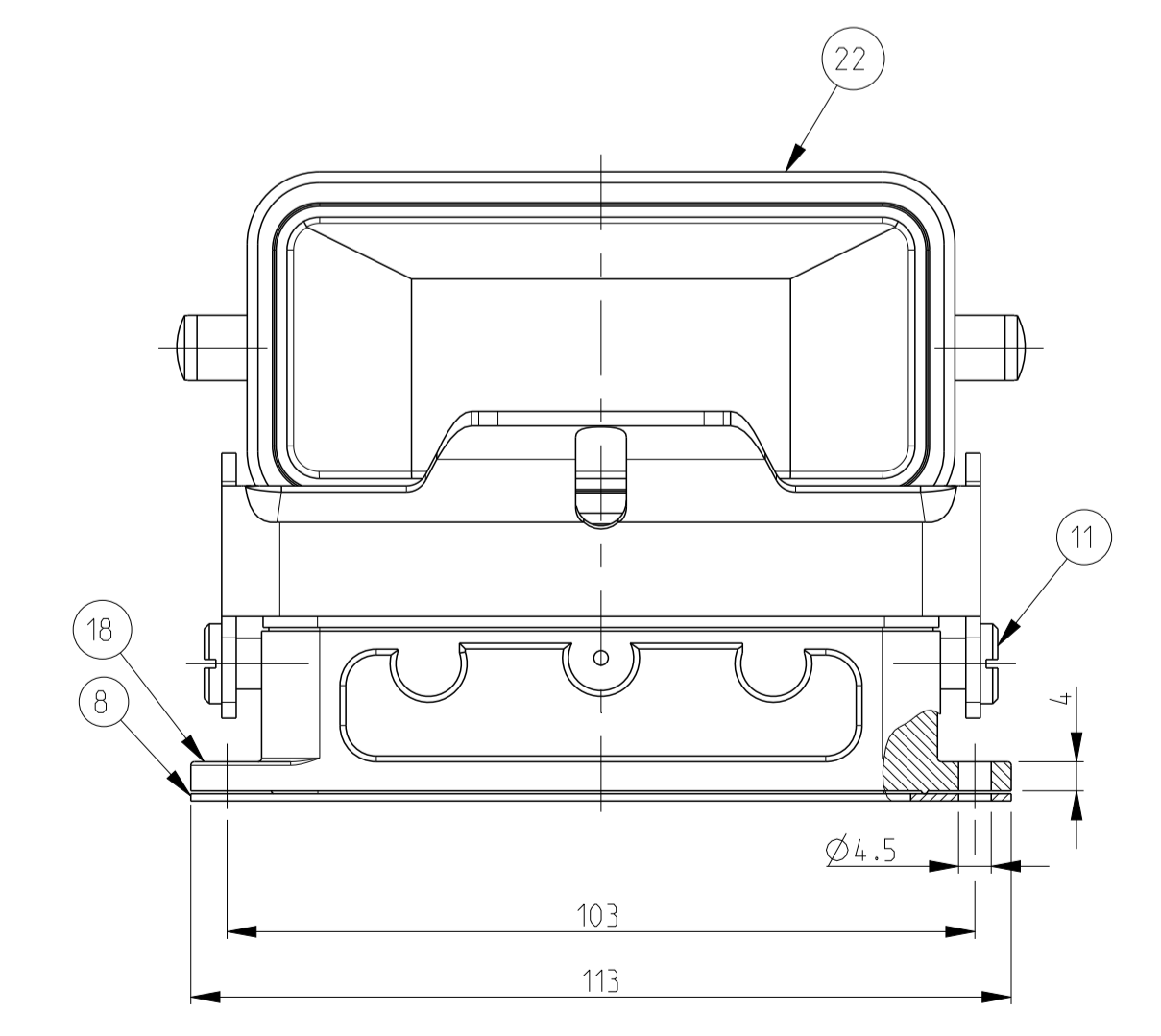
PN 1-2.2-2, 0-4, 0-3 & 0-5



PANEL CUT OUT



PN 0-4



QTY	DESCRIPTION	MATERIAL	SURFACE	COLOR	ITEM NO	REMARKS									
1	Cover HB	Aluminium		Grey	22	Neutral									
1	Flange Seal	Neoprene		Black	21	Conductive									
1	Cover HB-EMV	Aluminium	SEE NOTE 2	Black	20										
1	Surface mounted housing bottom entry HB-EMV	Aluminium	SEE NOTE 2	Black	19										
1	Surface mounted housing bottom entry HB	Aluminium		Grey	18	Neutral									
1	Profile Seal	Neoprene		Black	17	Conductive									
1	Cover HB-EMV	Aluminium	SEE NOTE 2	Without varnish	16										
1	Surface mounted housing bottom entry HB-EMV	Aluminium	SEE NOTE 2	Without varnish	15										
1	Cover HB	Aluminium		Red	14										
1	Surface mounted housing bottom entry HB	Aluminium		Red	13										
2	LB-Clip Positioner	Stainless Steel	Blank		12										
2	LB-Clip Positioner	Steel	Zinc Plated	Blue	11										
4	VS-Clip Bolt	Stainless Steel	Blank		10										
4	VS-Clip Bolt	Steel	Zinc Plated	Blue	9										
1	Flange Seal	Neoprene		Black	8										
1	Cover HB-K	Aluminium	Aluminium Oxide	Black	7										
1	Cover HB	Aluminium		Grey	6										
1	Profile Seal	Neoprene		Black	5										
1	LB-Side Clip	Stainless Steel	Blank		4										
1	LB-Side Clip	Steel	Zinc Plated	Blue	3										
1	Surface mounted housing bottom entry HB-K	Aluminium	Aluminium Oxide	Black	2										
1	Surface mounted housing bottom entry HB	Aluminium		Grey	1										
0-5	0-4	0-3	0-2	0-1	2-6	1-6	2-2	1-2	DESCRIPTION	MATERIAL	SURFACE	COLOR	ITEM NO	REMARKS	
ORDERING TEXT															
HB.16.AGD-LB															
HB-K.16.AGD-LB															
HB.16.AGD															
HB-K.16.AGD															
HB.16.AGD-LB															
HB.16.AGD.KM															
HB-EMV.16.AGD-LB															
HB.16.AGD-LB															
HB-EMV.16.AGD-LB															

THIS DRAWING IS A CONTROLLED DOCUMENT. DWN: Schneider 13.04.2000, CMC: Schneider 13.04.2000

DIMENSIONS: mm

TOLERANCES UNLESS OTHERWISE SPECIFIED: 0: ±0.1, 1: ±0.1, 2: ±0.1, 3: ±0.1, 4: ±0.1, 5: ±0.1, 6: ±0.1, 7: ±0.1, 8: ±0.1, 9: ±0.1, 10: ±0.1, 11: ±0.1, 12: ±0.1, 13: ±0.1, 14: ±0.1, 15: ±0.1, 16: ±0.1, 17: ±0.1, 18: ±0.1, 19: ±0.1, 20: ±0.1, 21: ±0.1, 22: ±0.1

MATERIAL: ALUMINIUM, NEOPRENE, STAINLESS STEEL, STEEL

FINISH: ANODIZED, POLISHED

THIS DRAWING IS A CONTROLLED DOCUMENT. DWN: Schneider 13.04.2000, CMC: Schneider 13.04.2000

NAME: Surface Mounted Housing Bottom Entry HB.16.AGD

PRODUCT SPEC: -

APPLICATION SPEC: -

SIZE: A1, CAGE CODE: 00779, DRAWING NO: 1102305

RESTRICTED TO: -

CUSTOMER DRAWING

SCALE: 1:1, SHEET: 1 OF 1, REV: 2

X-ON Electronics

Largest Supplier of Electrical and Electronic Components

Click to view similar products for [Heavy Duty Power Connectors](#) category:

Click to view products by [TE Connectivity](#) manufacturer:

Other Similar products are found below :

[647757-1](#) [6643411-1](#) [6646058-2](#) [6646137-1](#) [6646138-1](#) [6646479-1](#) [6646608-1](#) [6646786-1](#) [6646940-1](#) [6651091-1](#) [6651525-1](#) [6651529-1](#)
[6651788-1](#) [696475-1](#) [702-32-01109](#) [703-25-02205](#) [73000005059](#) [73000005642](#) [73080255059](#) [73080965046](#) [765-15-0080A](#) [765-16-0080B](#)
[765-18-0080D](#) [829992-1](#) [902-77-02113](#) [PS00/A0620/6300](#) [PS25/A0420/63](#) [129-1J](#) [1409400](#) [AN0024023](#) [E6374G1](#) [e6389g2](#) [157-43GW8](#)
[MS3117-14AC](#) [1643543-1](#) [1650540-1](#) [1651811-2](#) [1766260-1](#) [1766282-1](#) [1766966-1](#) [1791340000](#) [NLDFT-3-BL-L-S120-M40A](#) [NLDFT-N-](#)
[W-L-C240-M40B](#) [NLS-2-R-C240-M40B](#) [NLS-N-W-C240-M40B](#) [NPS-3-BL-T6](#) [1986615-1](#) [2-1589900-8](#) [2199314-1](#) [KA8102](#)