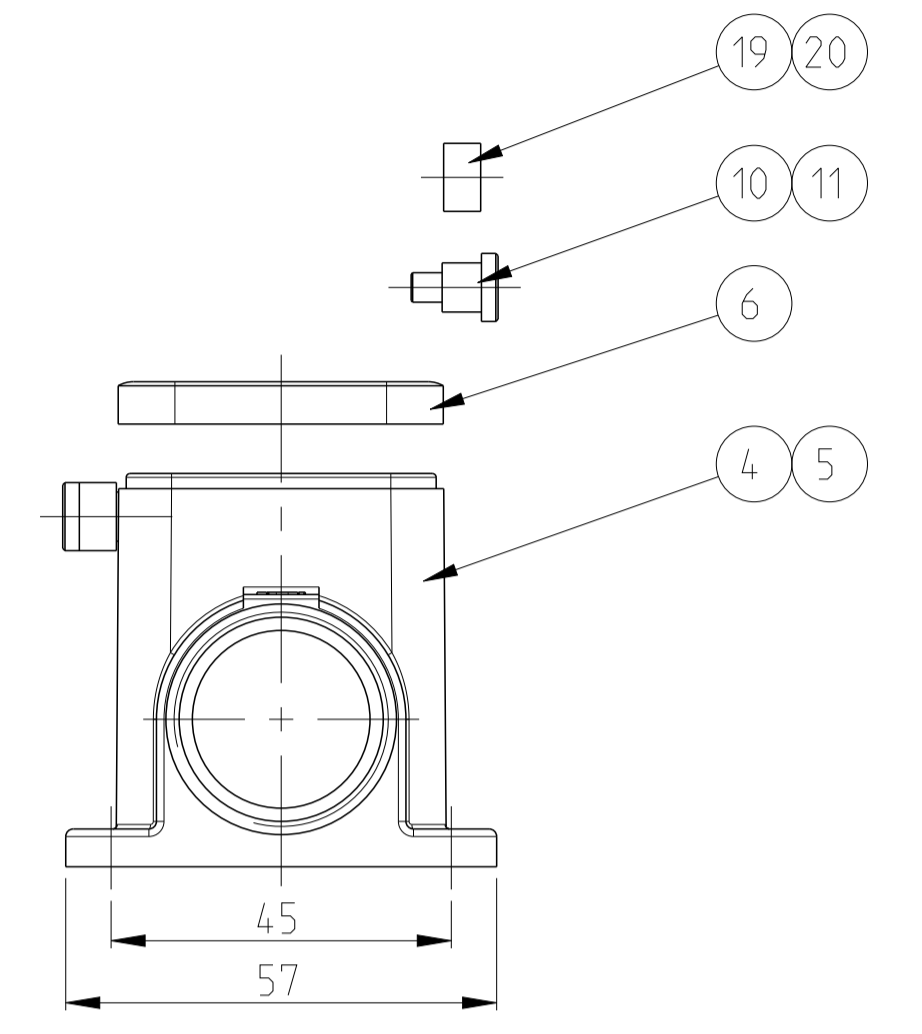
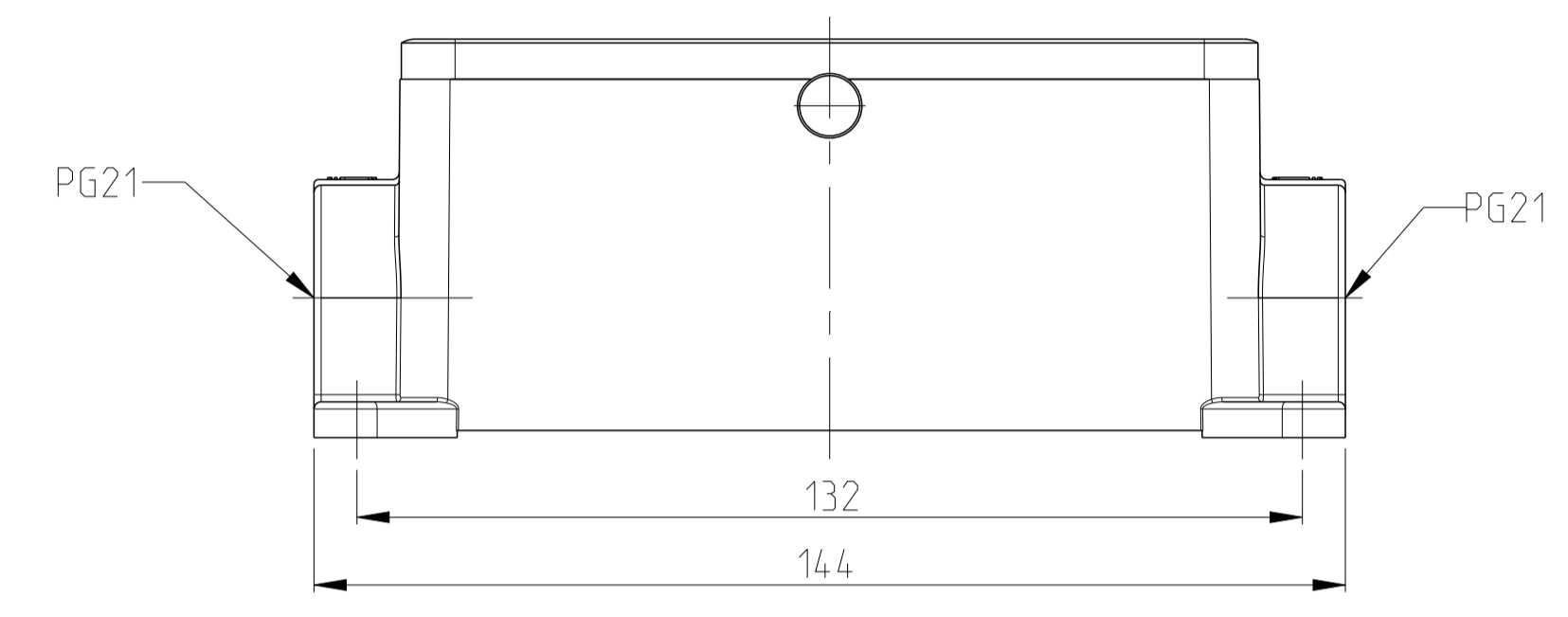
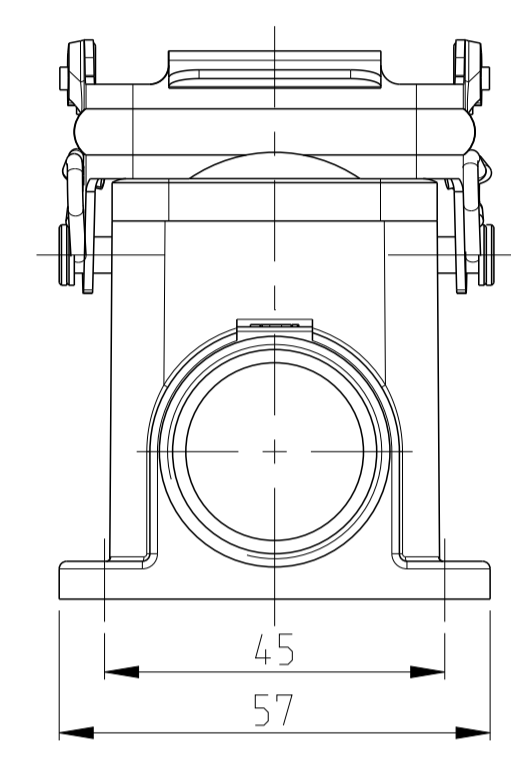
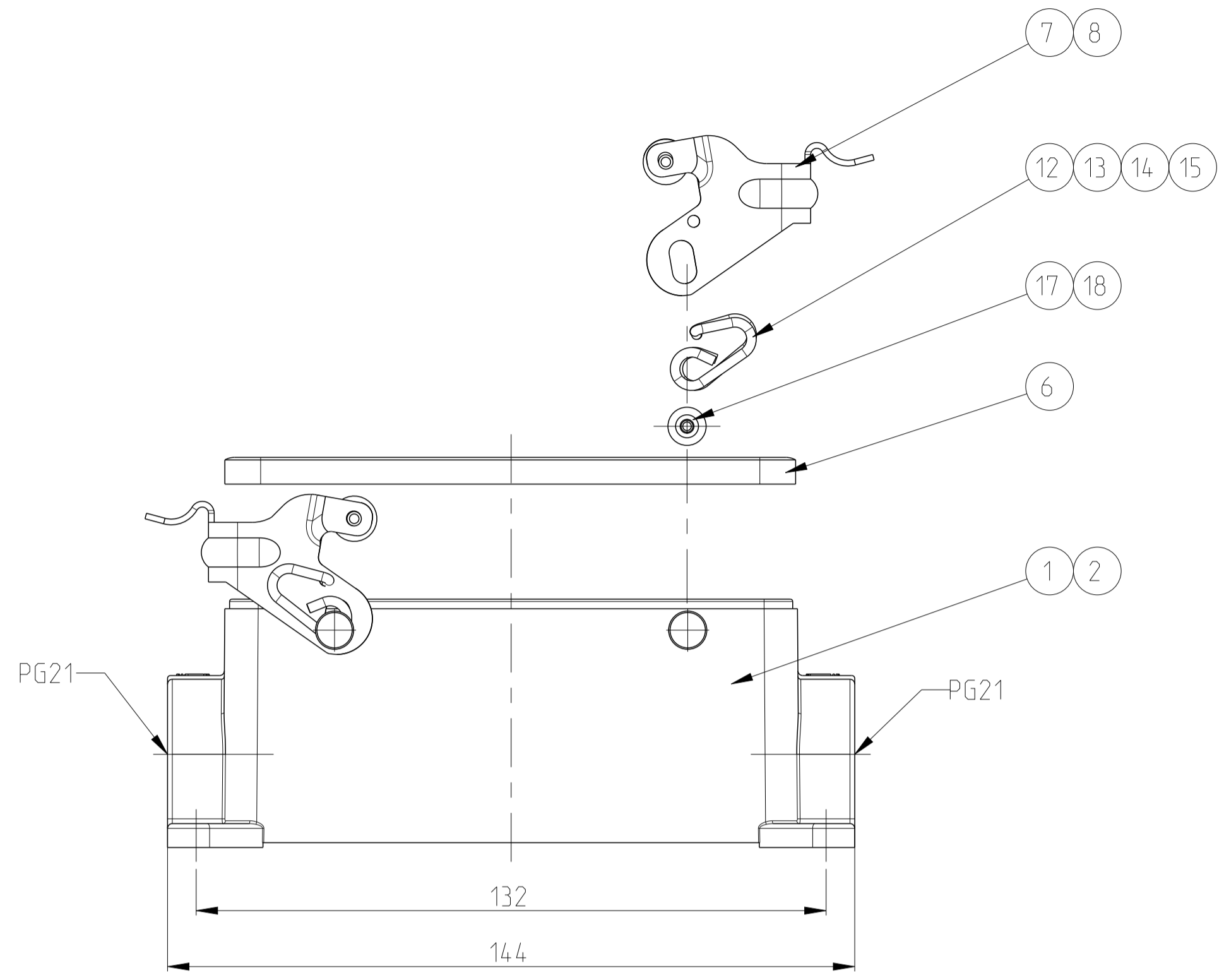
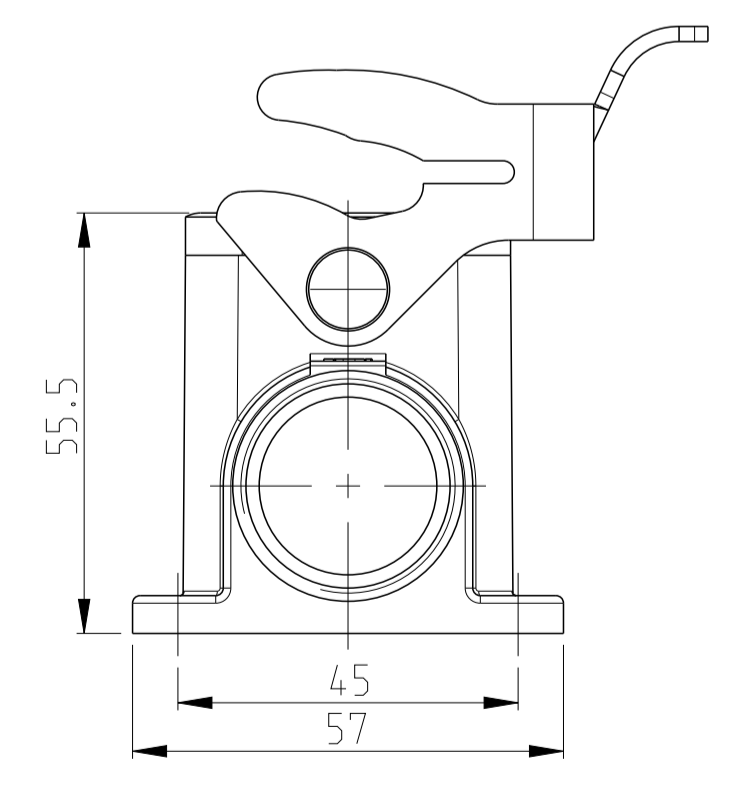
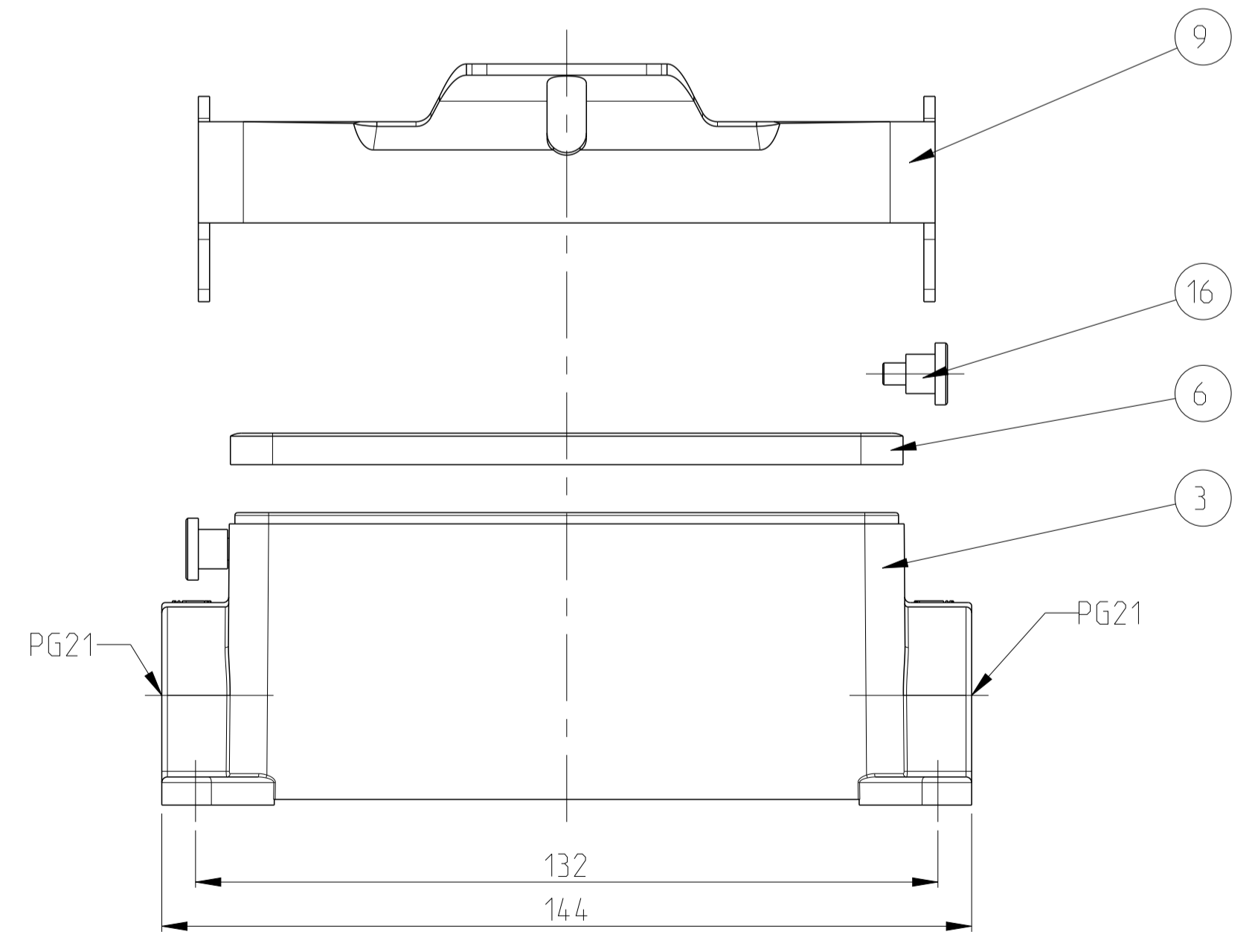


REVISIONS				
P	LTN	DESCRIPTION	DATE	APVD
A3	ECR-09-013545		05JUN2009	SR AR
A4	ECR-16-000314		14JAN2016	GEM JB
A5	REVISED PER ECR-17-013084		12JAN2018	SRG MKO



NOTES

- PART SHALL BE FREE AND CLEAN OF BURRS AND OTHER FOREIGN MATERIAL
- PACKAGING: QUANTITY 3 PIECES
- VARNISHING INSIDE HOUSING NOT REQUIRED



QTY	OBsolete	OBsolete	OBsolete	OBsolete	DESCRIPTION	MATERIAL	SURFACE	COLORE	ITEM	NOTES
2					SLIDE SPOOL	STAINLESS STEEL	BLANC		20	
	2				SLIDE SPOOL	STEEL	ZINC PLATED	BLUE	19	
			4		LOCKING CLIP	STAINLESS STEEL	BLANC		18	
			4		CLIP POSITIONER	STEEL	ZINC PLATED	BLUE	17	
		2			CLIP POSITIONER	STEEL	ZINC PLATED	BLUE	16	
			2		CLIP SPRING RIGHT	STAINLESS STEEL	BLANC		15	
			2		CLIP SPRING RIGHT	STEEL	ZINC PLATED	BLUE	14	
			2		CLIP SPRING LEFT	STAINLESS STEEL	BLANC		13	
			2		CLIP SPRING LEFT	STEEL	ZINC PLATED	BLUE	12	
2					CLIP POSITIONER	STAINLESS STEEL	BLANC		11	
	2				CLIP POSITIONER	STEEL	ZINC PLATED	BLUE	10	
		1			SIDE CLIP	STEEL	ZINC PLATED	BLUE	9	
			2		LOCKING CLIP	STAINLESS STEEL	BLANC		8	
			2		LOCKING CLIP	STEEL	ZINC PLATED	BLUE	7	
1	1	1	1	1	PROFILE SEAL	NEOPRENE		BLACK	6	
1					SURFACE MOUNTED HOUSING SIDE ENTRY	ALUMINIUM	ALUMINIUM OXID	BLACK	5	
	1				SURFACE MOUNTED HOUSING SIDE ENTRY	ALUMINIUM		GREY	4	
		1			SURFACE MOUNTED HOUSING SIDE ENTRY	ALUMINIUM		GREY	3	
			1		SURFACE MOUNTED HOUSING SIDE ENTRY	ALUMINIUM	ALUMINIUM OXID	BLACK	2	
				1	SURFACE MOUNTED HOUSING SIDE ENTRY	ALUMINIUM		GREY	1	
2-8	1-8	1-2	2-1	1-1	DESCRIPTION	MATERIAL	SURFACE	COLORE	ITEM	NOTES
					HB-24.SG-VS-2.21.Z					
					HB-K-24.SG-VS-2.21.Z					
					HB-24.SG-LB-2.21.Z					
					HB-Z-24.SG-ZVGR-2.21.Z					
					HB-K/Z-24.SG-ZVGR-2.21.Z					

THIS DRAWING IS A CONTROLLED DOCUMENT. DIMENSIONS: mm. TOLERANCES UNLESS OTHERWISE SPECIFIED: 0 PLC ±0.1, 1 PLC ±0.2, 2 PLC ±0.3, 3 PLC ±0.4, 4 PLC ±0.5, ANGLES ±0.5°. MATERIAL: -. FINISH: -. WEIGHT: -. CUSTOMER DRAWING.

OWN: R. SCHNEIDER, 05JUN2009. CHG: T. SCHNURPFEL, 05JUN2009. APVD: -. NAME: SURFACE MOUNTED HOUSING SIDE ENTRY HB.24.SG.2.21. PRODUCT SPEC: -. APPLICATION SPEC: -. SIZE: A1. CAGE CODE: 00779. DRAWING NO: C=1102333. RESTRICTED TO: -. SCALE: 1:1. SHEET: 1 OF 1. REV: A5.

STE TE Connectivity

X-ON Electronics

Largest Supplier of Electrical and Electronic Components

Click to view similar products for [Heavy Duty Power Connectors](#) category:

Click to view products by [TE Connectivity](#) manufacturer:

Other Similar products are found below :

[647757-1](#) [6643411-1](#) [6646058-2](#) [6646137-1](#) [6646138-1](#) [6646479-1](#) [6646608-1](#) [6646786-1](#) [6646940-1](#) [6651091-1](#) [6651525-1](#) [6651529-1](#)
[6651788-1](#) [696475-1](#) [702-32-01109](#) [703-25-02205](#) [73000005059](#) [73000005642](#) [73080255059](#) [73080965046](#) [765-15-0080A](#) [765-16-0080B](#)
[765-18-0080D](#) [829992-1](#) [902-77-02113](#) [PS00/A0620/6300](#) [PS25/A0420/63](#) [129-1J](#) [1409400](#) [AN0024023](#) [E6374G1](#) [e6389g2](#) [157-43GW8](#)
[MS3117-14AC](#) [1643543-1](#) [1650540-1](#) [1651811-2](#) [1766260-1](#) [1766282-1](#) [1766966-1](#) [1791340000](#) [NLDFT-3-BL-L-S120-M40A](#) [NLDFT-N-](#)
[W-L-C240-M40B](#) [NLS-2-R-C240-M40B](#) [NLS-N-W-C240-M40B](#) [NPS-3-BL-T6](#) [1986615-1](#) [2-1589900-8](#) [2199314-1](#) [KA8102](#)