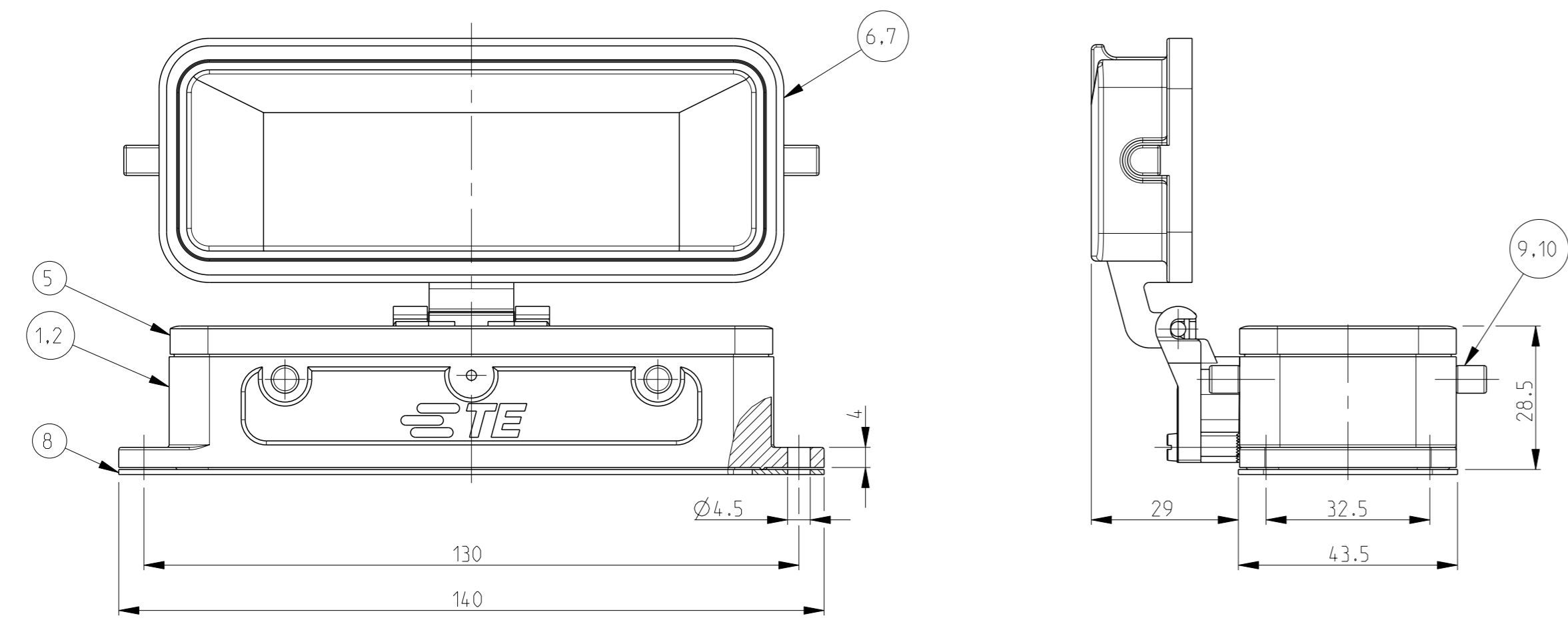
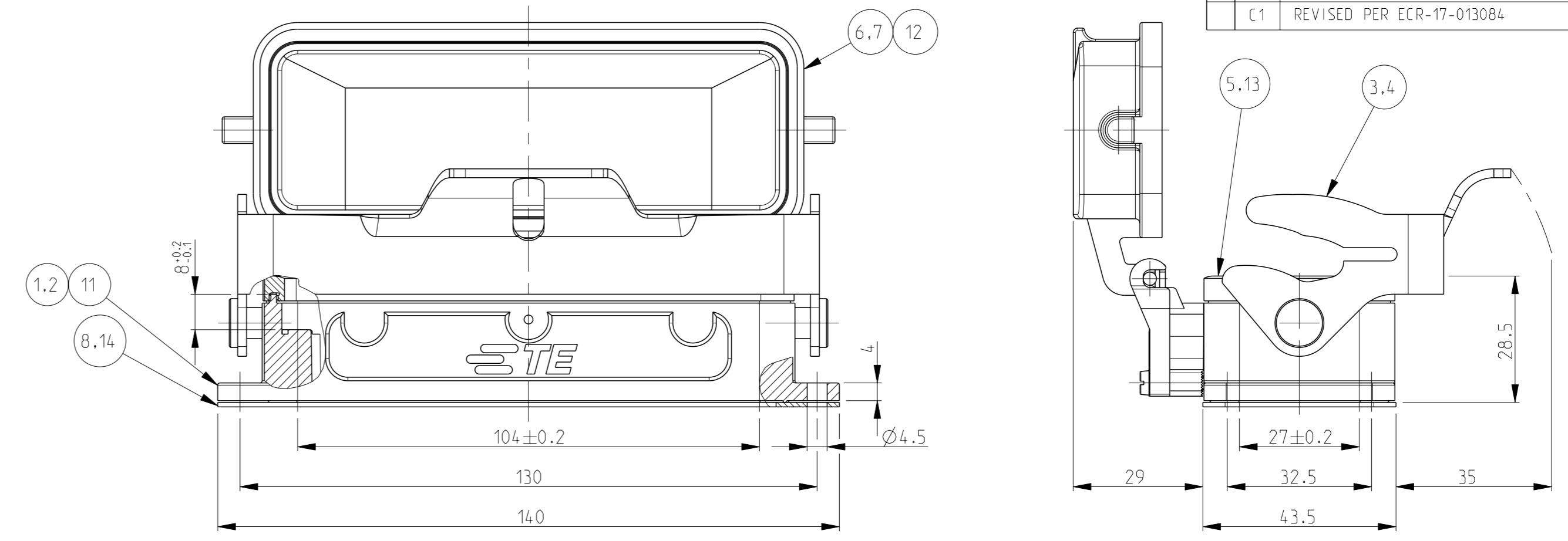


PN 1-6 & 2-6

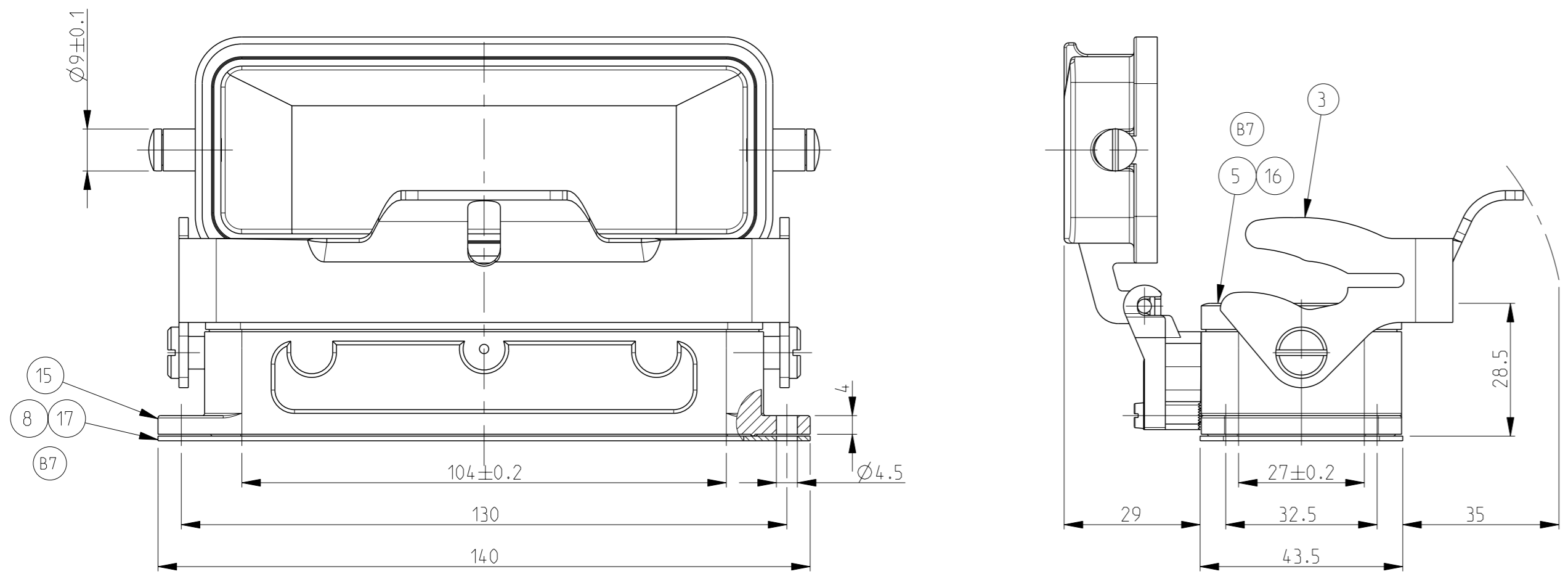


PN 1-2.2-2.0-2 & 0-3

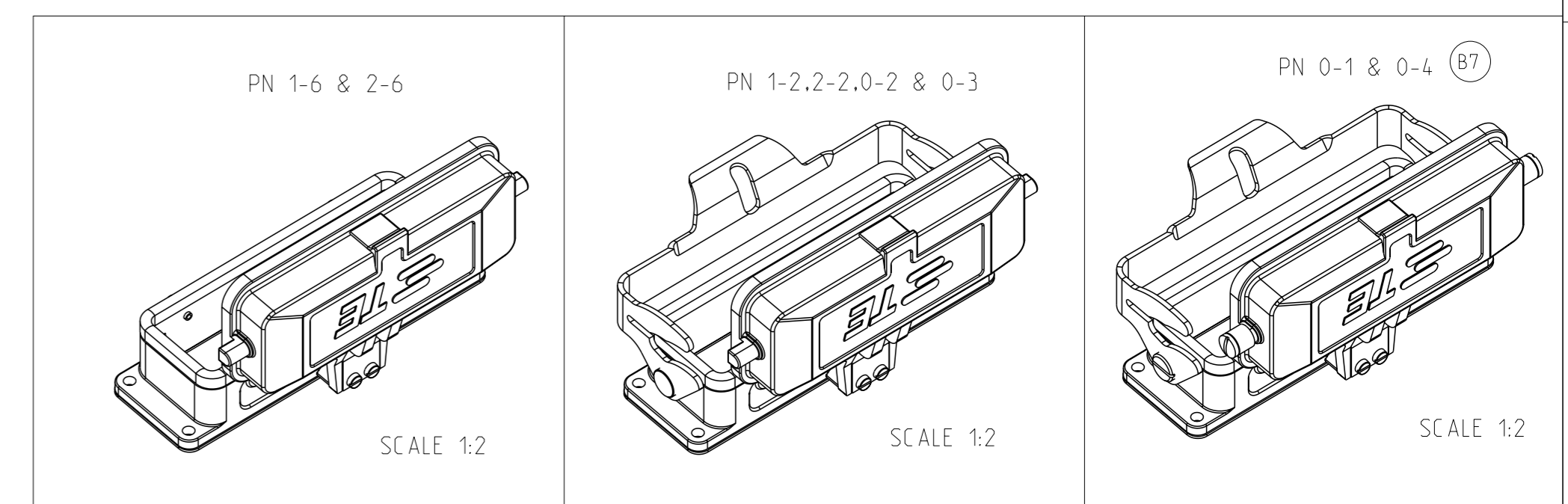


REVISIONS				
#	DATE	DESCRIPTION	BY	APPROVED
B7	15-JAN-09	RELEASED AS PER ECR 08-031365	CJ	TS
B6	17-12-07	RELEASED AS PER ECR-07-030418	SP	TS
C	18FEB2016	ECR-15-015721	GCM	JB
C1	10JAN2018	REVISED PER ECR-17-013084	SRG	MKO

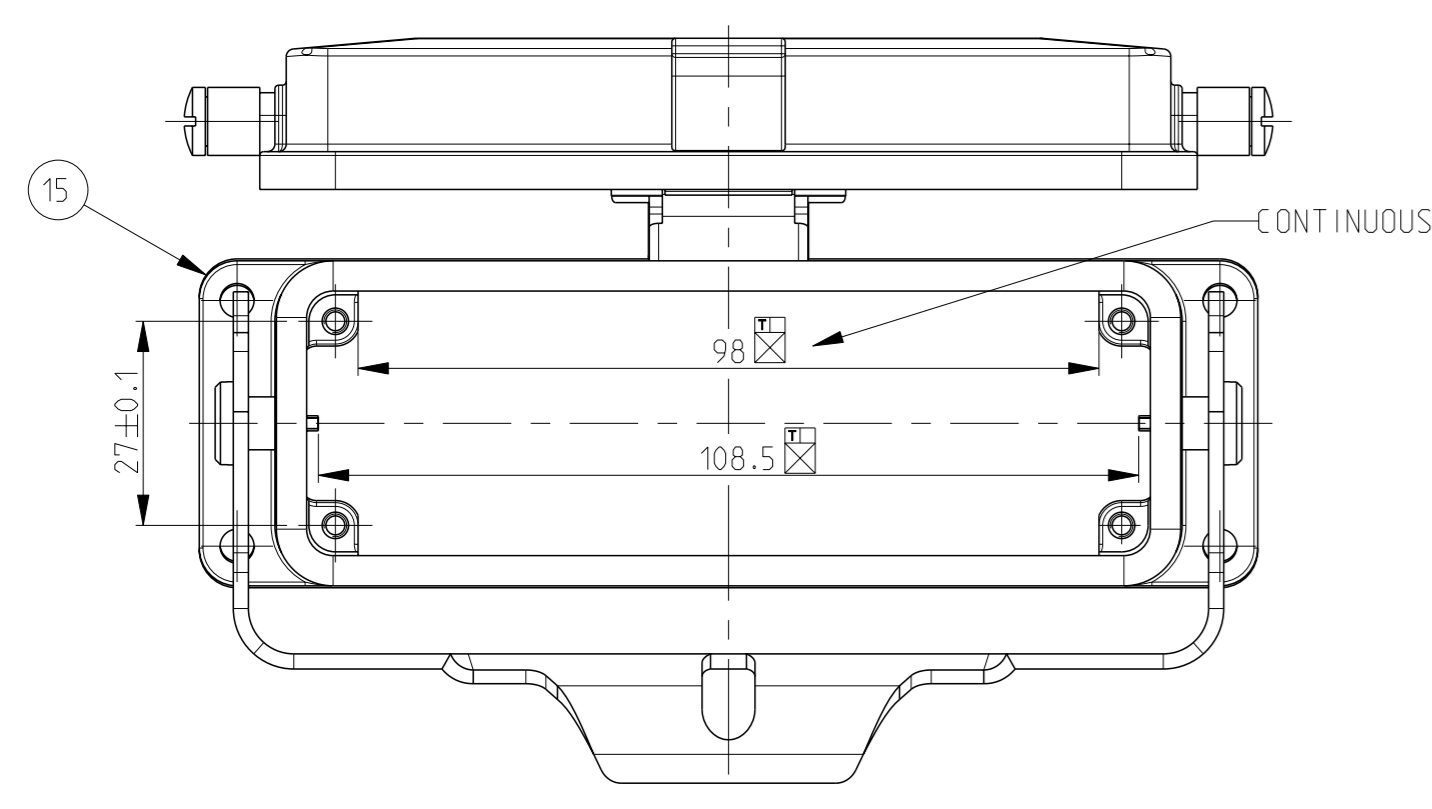
PN 0-1 & 0-4 (B7)



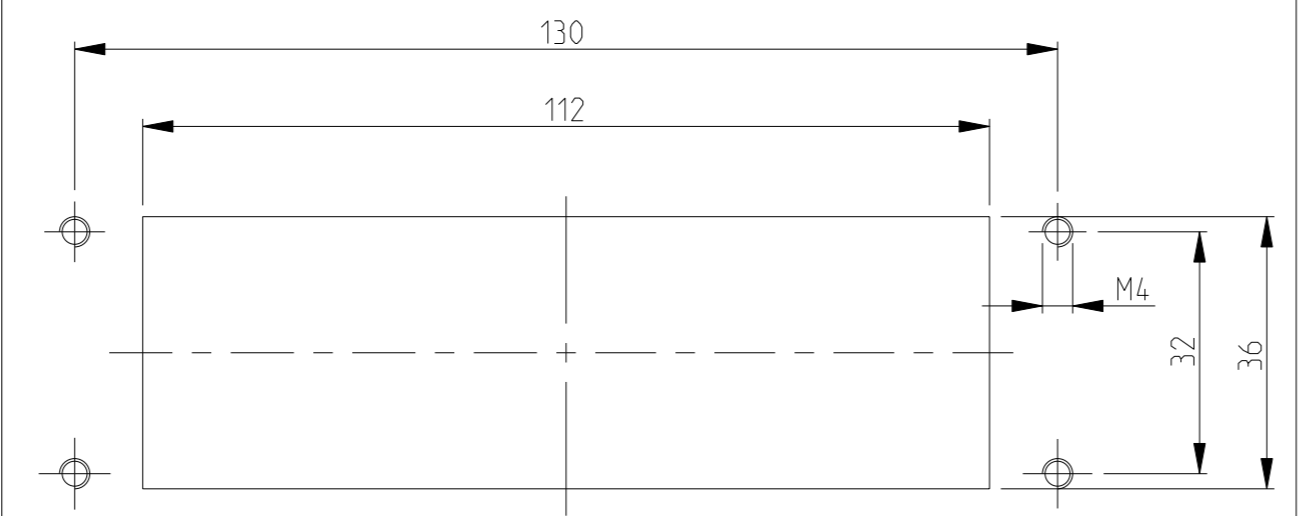
- NOTES
- 1 MATERIAL: HOUSING-ALUMINIUM DIECASTING ALLOY  
SEALS: NEOPRENE
  - 2 SURFACE: VARNISH -ALUMINIUM OXIDE +  
VARNISH BLACK  
-GREY
  - 3 VARNISH ON THE INSIDE NOT NECESSARY
  - 4 WITHOUT TE LOGO
  - 5 PACKAGING QUANTITY: 5 PIECES IN A BOX



LANDING MILLED OFF



PANEL CUT-OUT



QTY	DESCRIPTION	MATERIAL	SURFACE	COLOR	ITEM NO	REMARKS
1	FLANGE SEAL	VITON		BLACK	17	
1	PROFILE SEAL	VITON		BLACK	16	
1	SURFACE MOUNTED HOUSING BOTTOM ENTRY HB	ALUMINIUM		GREY	15	
1	FLANGE SEAL	NEOPRENE		BLACK	14	CONDUCTIVE
1	PROFILE SEAL	NEOPRENE		BLACK	13	CONDUCTIVE
1	COVER HB	ALUMINIUM	Chromit AL PASSIVATION	BLACK	12	
1	SURFACE MOUNTED HOUSING BOTTOM ENTRY HB	ALUMINIUM	Chromit AL PASSIVATION	BLACK	11	
1	VS-CLIP BOLT	STAINLESS STEEL	BLANK		10	
1	VS-CLIP BOLT	STEEL	ZINC PLATED	BLUE	9	
1	FLANGE SEAL	NEOPRENE		BLACK	8	
1	COVER HB-K	ALUMINIUM	ALUMINIUM OXIDE	BLACK	7	
1	COVER HB	ALUMINIUM		GREY	6	
1	PROFILE SEAL	NEOPRENE		BLACK	5	
1	LB-SIDE CLIP	STAINLESS STEEL	BLANK		4	
1	LB-SIDE CLIP	STEEL	ZINC PLATED	BLUE	3	
1	SURFACE MOUNTED HOUSING BOTTOM ENTRY HB-K	ALUMINIUM	ALUMINIUM OXIDE	BLACK	2	
1	SURFACE MOUNTED HOUSING BOTTOM ENTRY HB	ALUMINIUM		GREY	1	

OBSCLETE HB-24-AGD-LB-V  
 OBSCLETE HB-EM4-24-AGD-LB  
 OBSCLETE HB-24-AGD-LB  
 OBSCLETE HB-24-AGD-LB  
 OBSCLETE HB-K-24-AGD  
 HB-24-AGD  
 HB-K-24-AGD-LB  
 HB-24-AGD-LB

THIS DRAWING IS A CONTROLLED DOCUMENT. OWN: Schneider 03.04.2000  
 CHK: 03.04.2000

DIMENSIONS: mm  
 TOLERANCES UNLESS OTHERWISE SPECIFIED:  
 0: ±0.1  
 1: ±0.2  
 2: ±0.3  
 3: ±0.4  
 4: ±0.5  
 ANGLES: ±0.5°  
 FINISH: #

MATERIAL: 1  
 FINISH: 2

NAME: SURFACE MOUNTED HOUSING BOTTOM ENTRY HB.24.AGD  
 PRODUCT SPEC: 108-74001/108-74003  
 APPLICATION SPEC: 116-74001/116-74004

SIZE: A1  
 CAGE CODE: 00779  
 DRAWING NO: C=1102340  
 WEIGHT: 1  
 RESTRICTED TO: -

CUSTOMER DRAWING SCALE: 1:1 SHEET: 1 OF 1 REV: C1

## X-ON Electronics

Largest Supplier of Electrical and Electronic Components

*Click to view similar products for [Heavy Duty Power Connectors](#) category:*

*Click to view products by [TE Connectivity](#) manufacturer:*

Other Similar products are found below :

[647757-1](#) [6643411-1](#) [6646058-2](#) [6646137-1](#) [6646138-1](#) [6646479-1](#) [6646608-1](#) [6646786-1](#) [6646940-1](#) [6651091-1](#) [6651525-1](#) [6651529-1](#)  
[6651788-1](#) [696475-1](#) [702-32-01109](#) [703-25-02205](#) [73000005059](#) [73000005642](#) [73080255059](#) [73080965046](#) [765-15-0080A](#) [765-16-0080B](#)  
[765-18-0080D](#) [829992-1](#) [902-77-02113](#) [PS00/A0620/6300](#) [PS25/A0420/63](#) [129-1J](#) [1409400](#) [AN0024023](#) [E6374G1](#) [e6389g2](#) [157-43GW8](#)  
[MS3117-14AC](#) [1643543-1](#) [1650540-1](#) [1651811-2](#) [1766260-1](#) [1766282-1](#) [1766966-1](#) [1791340000](#) [NLDFT-3-BL-L-S120-M40A](#) [NLDFT-N-](#)  
[W-L-C240-M40B](#) [NLS-2-R-C240-M40B](#) [NLS-N-W-C240-M40B](#) [NPS-3-BL-T6](#) [1986615-1](#) [2-1589900-8](#) [2199314-1](#) [KA8102](#)