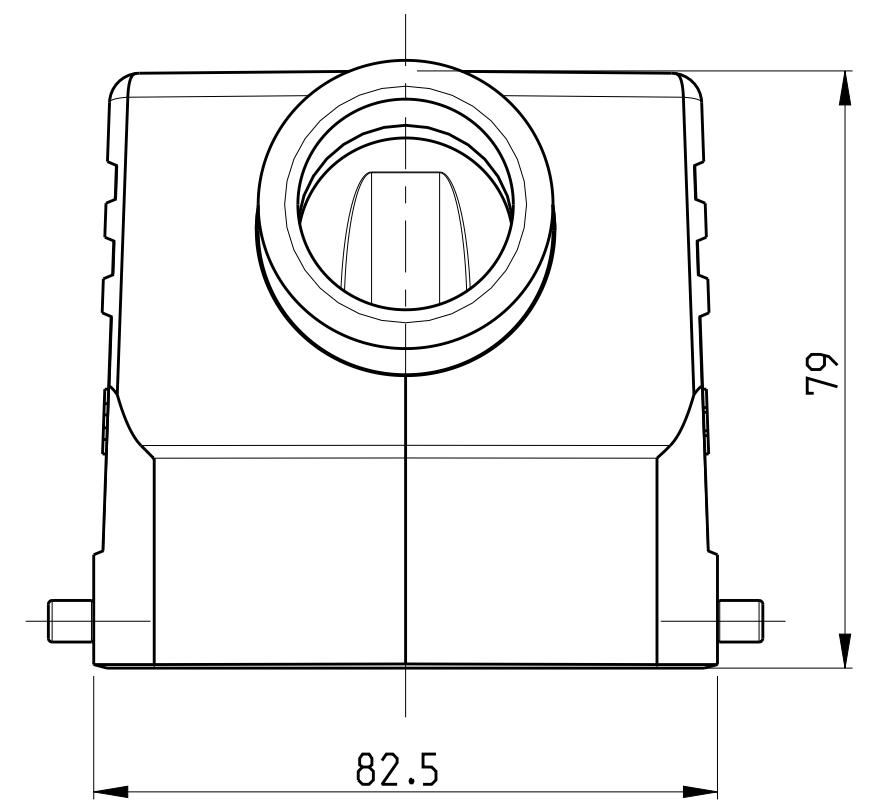
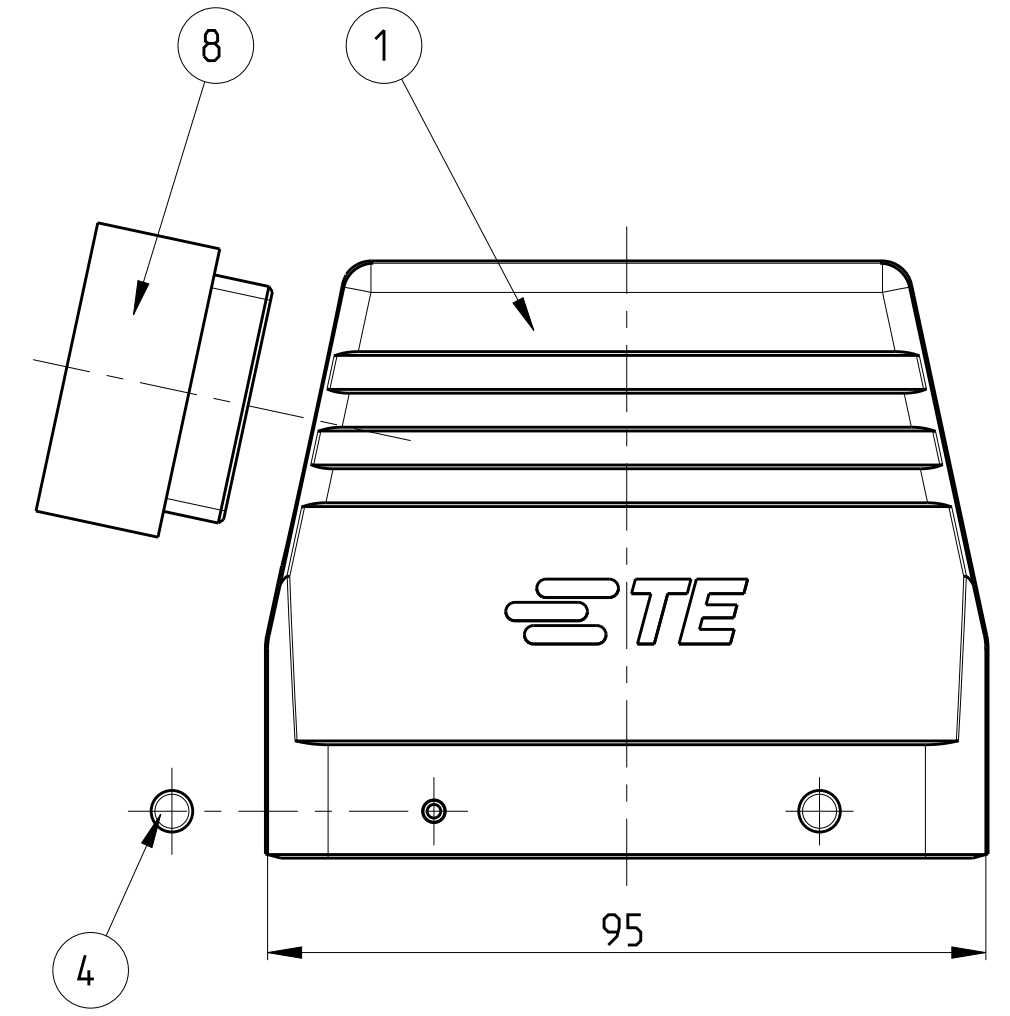
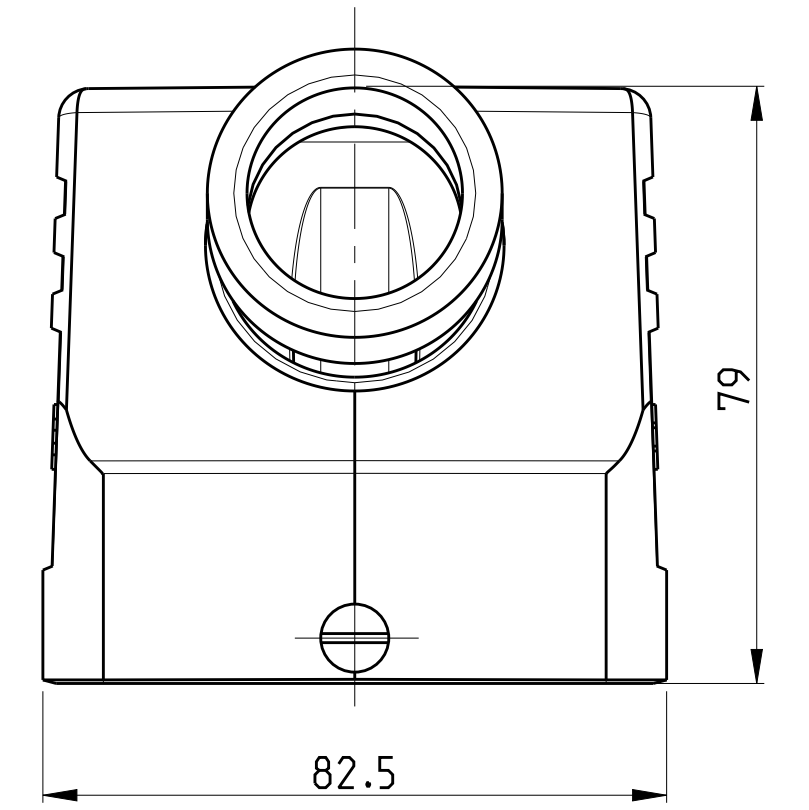
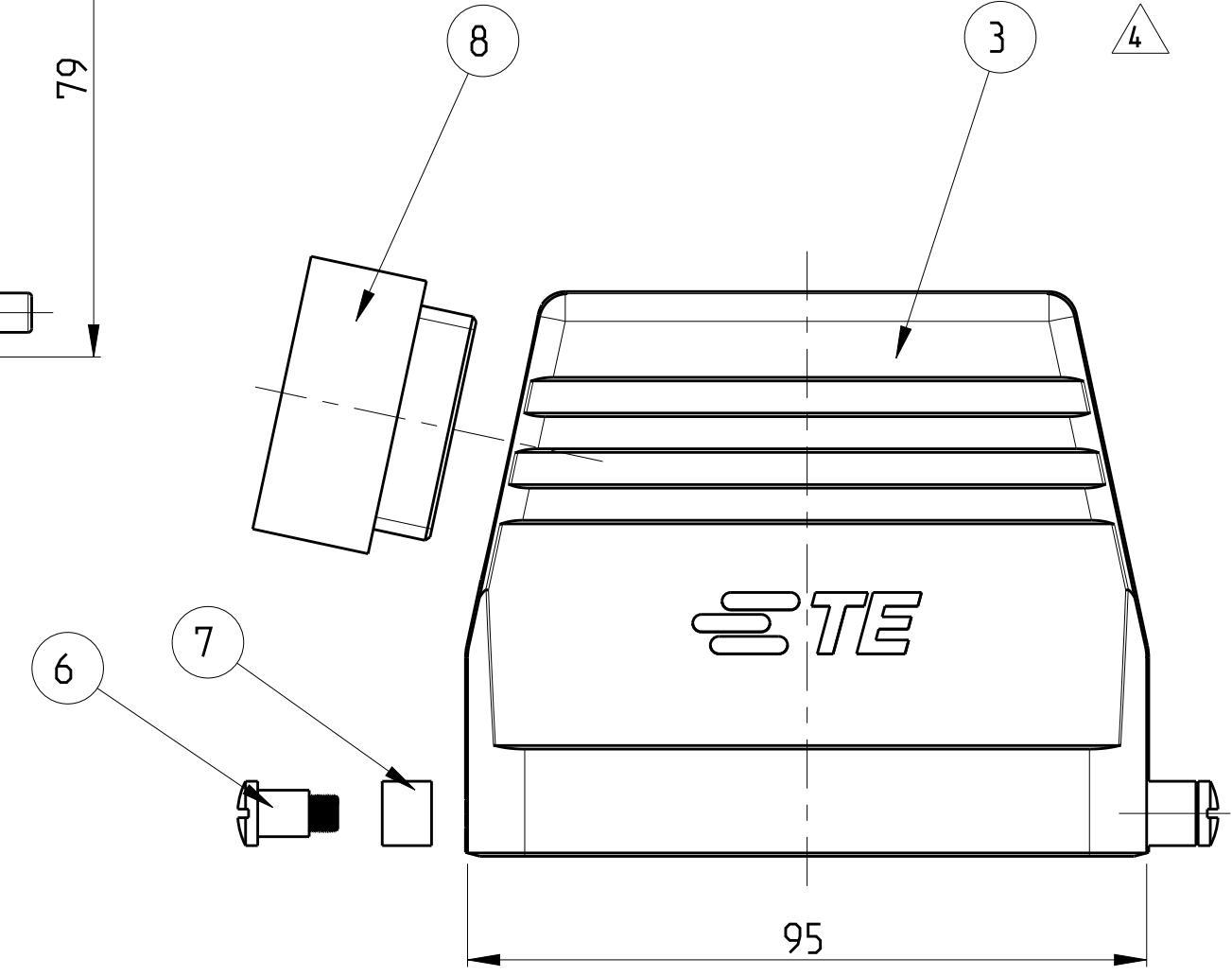
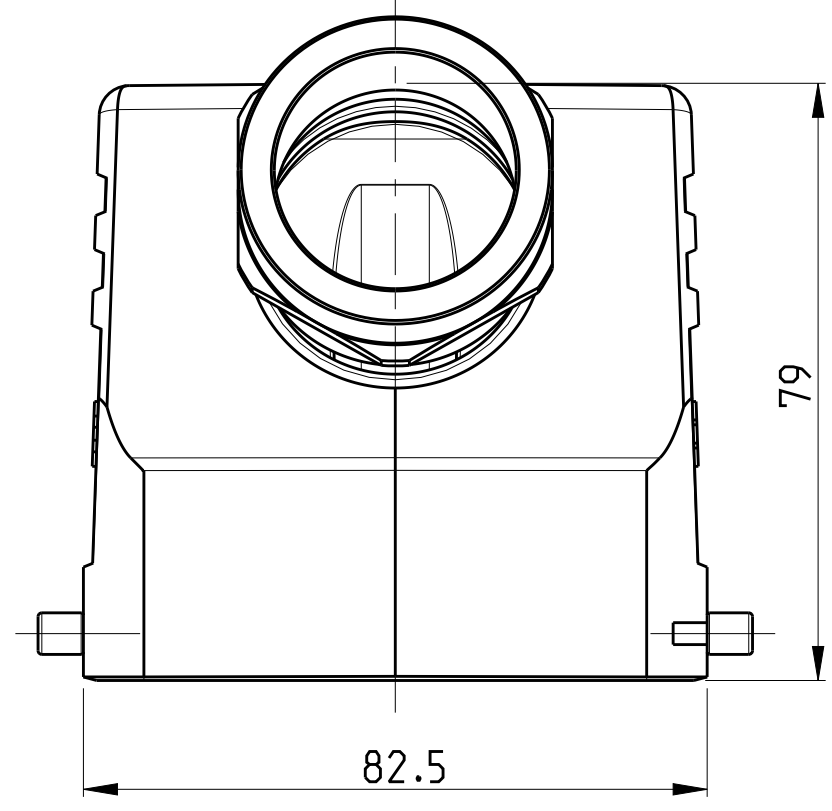
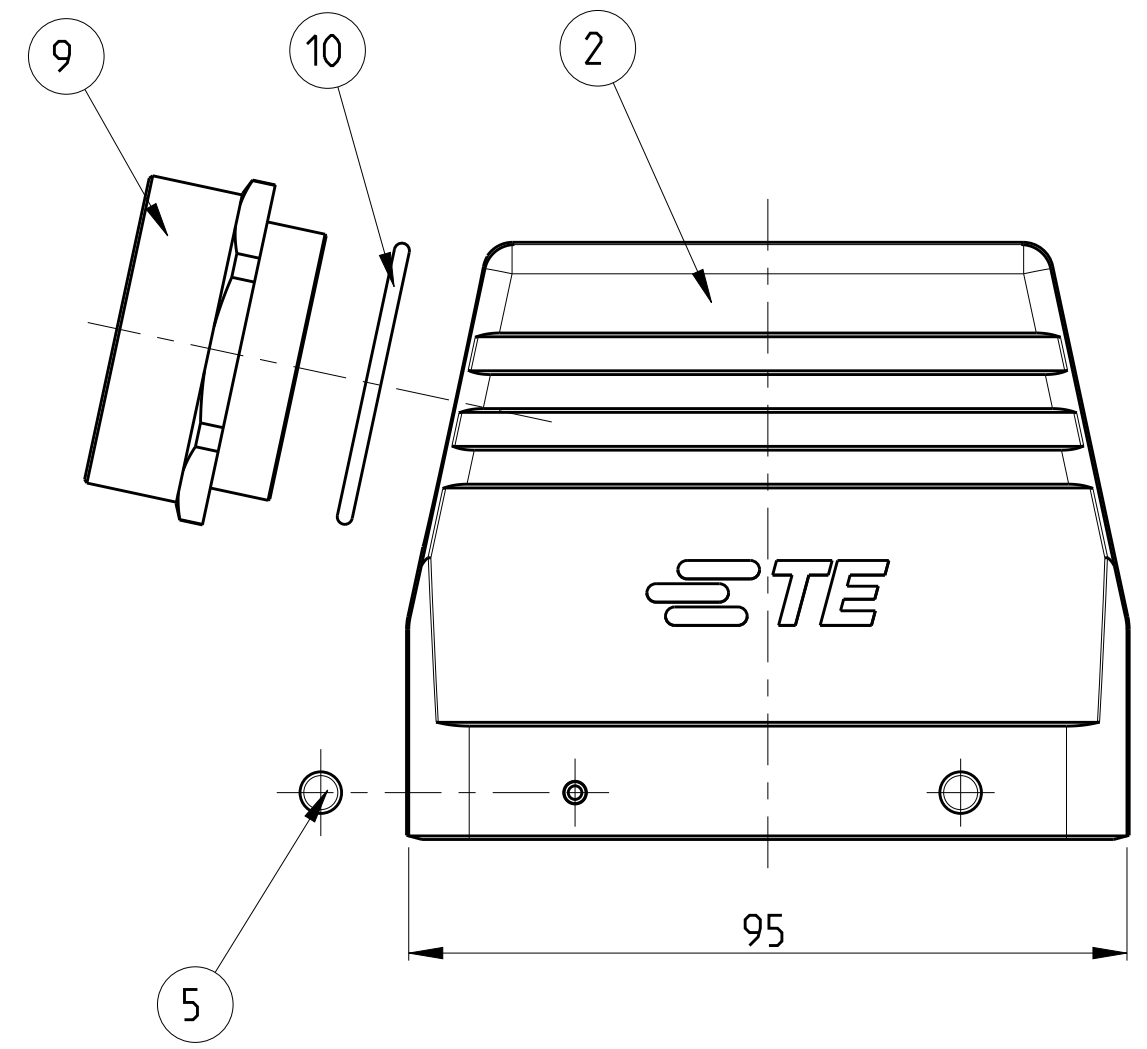


© 2019 TE Connectivity. All Rights Reserved.

REVISIONS					
P	LTR	DESCRIPTION	DATE	DWN	APVD
A2		ECR-09-013545	12MAY2009	SR	AR
A3		REVISED PER ECR-17-013084	08JAN2018	NC	MKO
A4		REVISED PER ECR-19-007853	17MAY2019	SR	JB

NOTES

- 1 PART SHALL BE FREE AND CLEAN OF BURRS AND OTHER FOREIGN MATERIAL
- 2 PACKAGING: QUANTITY 3 PIECES
- 3 VARNISHING INSIDE HOUSING NOT REQUIRED
- 4 OBSOLETE PARTS



QTY	REF	DESCRIPTION	MATERIAL	SURFACE	COLORE	ITEM	NOTES
1	1	O-RING	NEOPRENE		BLACK	10	PG29
1	1	ADAPTOR	BRASS	NICKEL PLATED	BLUE	9	PG29
1	1	ADAPTOR ROUND	BRASS	NICKEL PLATED	BLUE	8	PG29
2	2	SLIDE SPOOL	STEEL	ZINC PLATED	BLUE	7	
2	2	CLIP BOLT	STEEL	ZINC PLATED	BLUE	6	
4	4	CLIP BOLT	STAINLESS STEEL	BLANC		5	
1	1	CLIP BOLT	STEEL	ZINC PLATED	BLUE	4	
1	1	HOOD	ALUMINIUM		GREY	3	
1	1	HOOD	ALUMINIUM	ALUMINIUM OXID	BLACK	2	
1	1	HOOD	ALUMINIUM		GREY	1	

HB.32.STS.1.29.Z  
 HB-K.32.STS.1.29.Z  
 HB.32.STS-GR.1.29.Z

THIS DRAWING IS A CONTROLLED DOCUMENT.

DIMENSIONS: mm	TOLERANCES UNLESS OTHERWISE SPECIFIED: 0 PLC ± 1 PLC ± 2 PLC ± 3 PLC ± 4 PLC ± ANGLES ±° FINISH	DWN R.SCHNEIDER 12MAY2009 CHK T.SCHNURPFEL 12MAY2009 APVD	NAME HOOD HB.32.STS.1.29.Z
MATERIAL		PRODUCT SPEC APPLICATION SPEC WEIGHT	SIZE CAGE CODE DRAWING NO RESTRICTED TO A2 00779 C-1102347
CUSTOMER DRAWING		SCALE 1:1	SHEET 1 OF 1 REV A4

## X-ON Electronics

Largest Supplier of Electrical and Electronic Components

*Click to view similar products for [Heavy Duty Power Connectors](#) category:*

*Click to view products by [TE Connectivity](#) manufacturer:*

Other Similar products are found below :

[1424439](#) [1424438](#) [09330062652](#) [605601-1](#) [6340G1](#) [6341G1](#) [6360G1](#) [6373G1](#) [6374g2](#) [6396G1](#) [647757-1](#) [6643411-1](#) [6646058-2](#) [6646137-1](#)  
[6646138-1](#) [6646348-1](#) [6646479-1](#) [6646608-1](#) [6646786-1](#) [6646940-1](#) [6651525-1](#) [6651529-1](#) [6651778-1](#) [6651788-1](#) [696465-1](#) [696475-1](#)  
[73000005059](#) [73000005349](#) [73000005642](#) [73080965046](#) [765-15-0080A](#) [765-16-0080B](#) [789.700-44](#) [789.700-54](#) [80-1010](#) [80-9](#) [827381-1](#)  
[829992-1](#) [902-77-02113](#) [PL00U-301-10D10](#) [PM103MOOLOO](#) [PM212MOOLOO](#) [PM309FOOLOO](#) [PM324FOOLCH](#) [PMHPAF11S03](#)  
[PMHPAF14S01](#) [PMHPAM14P05](#) [PMHPAS06](#) [PMHPBF14S01](#) [PP45PC12S](#)