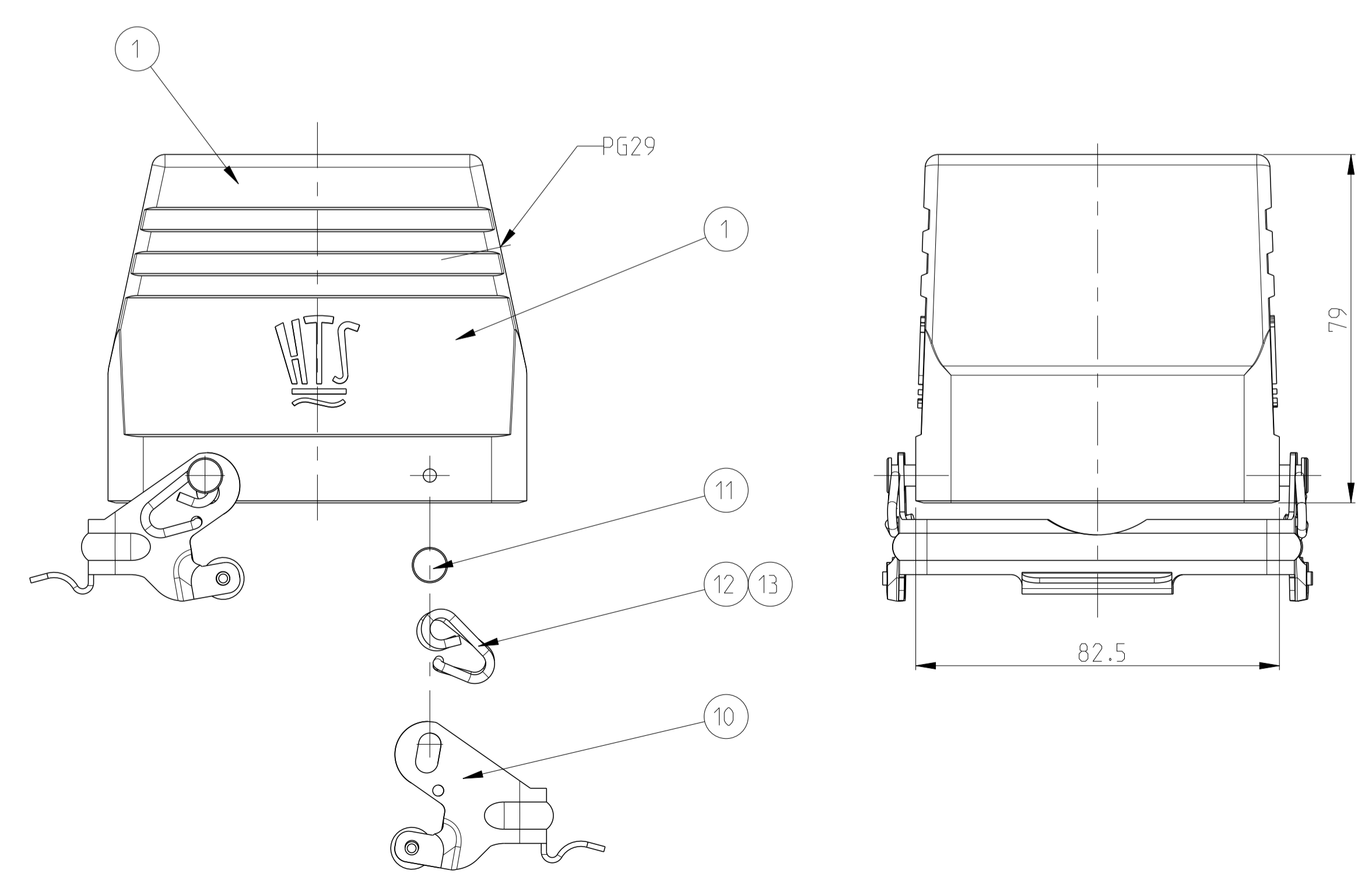
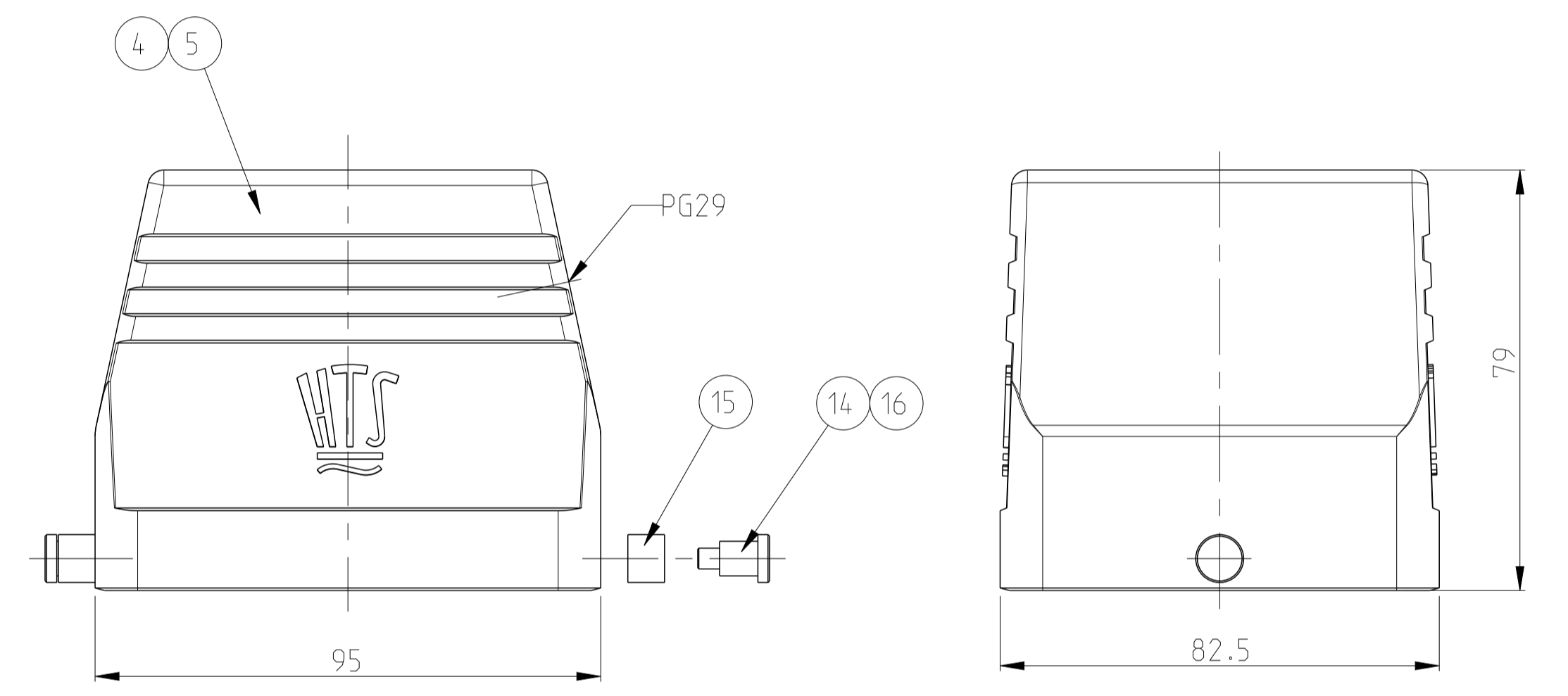
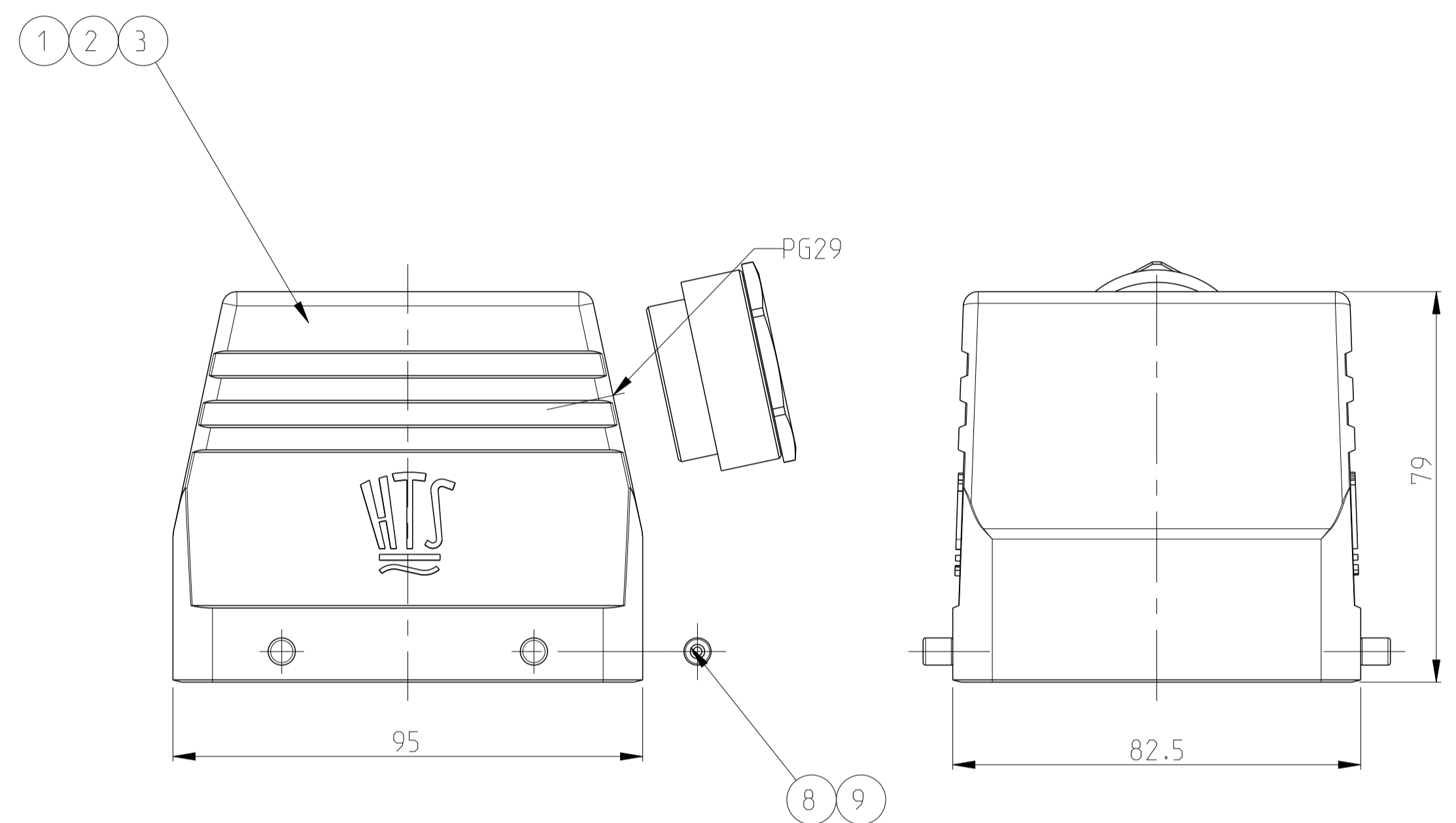
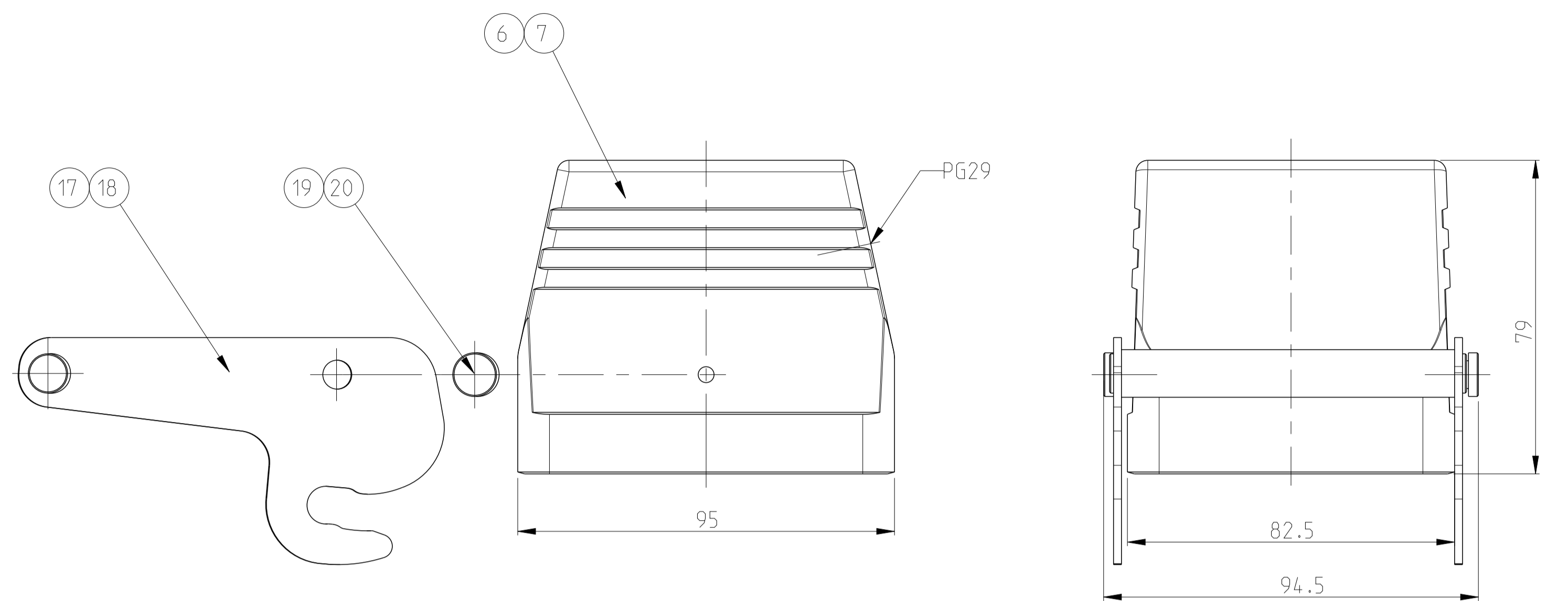


REVISIONS				
P	LTN	DESCRIPTION	DATE	APVD
A2		ECR-09-013545	12MAY2009	SR AR
A3		REVISED PER ECR-17-013084	08JAN2018	NC MKO



- NOTES
- PART SHALL BE FREE AND CLEAN OF BURRS AND OTHER FOREIGN MATERIAL
  - PACKAGING: QUANTITY 3 PIECES
  - VARNISHING INSIDE HOUSING NOT REQUIRED

QTY	DESCRIPTION	MATERIAL	SURFACE	COLORE	ITEM	NOTES
2	CLIP POSITIONER	STAINLESS STEEL	BLANC		20	
2	CLIP POSITIONER	STEEL	ZINC PLATED	BLUE	19	
1	CENTRAL CLIP	STAINLESS STEEL	BLANC		18	
1	CENTRAL CLIP	STEEL	ZINC PLATED	BLUE	17	
2	CLIP BOLT	STAINLESS STEEL	BLANC		16	
2	SLIDE SPOOL	STEEL	ZINC PLATED	BLUE	15	
2	CLIP BOLT	STEEL	ZINC PLATED	BLUE	14	
2	CLIP SPRING RIGHT	STEEL	ZINC PLATED	BLUE	13	
2	CLIP SPRING LEFT	STEEL	ZINC PLATED	BLUE	12	
4	CLIP POSITIONER	STEEL	ZINC PLATED	BLUE	11	
2	LOCKING CLIP	STEEL	ZINC PLATED	BLUE	10	
4	CLIP BOLT	STAINLESS STEEL	BLANC		9	
4	CLIP BOLT	STEEL	BLUE	BLUE	8	
1	HOOD	ALUMINIUM	ALUMINIUM OXID	BLACK	7	
1	HOOD	ALUMINIUM		GREY	6	
1	HOOD	ALUMINIUM	ALUMINIUM OXID	BLACK	5	
1	HOOD	ALUMINIUM		GREY	4	
1	HOOD	ALUMINIUM		WITHOUT VARNISH	3	
1	HOOD	ALUMINIUM	ALUMINIUM OXID	BLACK	2	
1	HOOD	ALUMINIUM		GREY	1	
2-3	DESCRIPTION	MATERIAL	SURFACE	COLORE	ITEM	NOTES
1-3	HB.32.STS-1.29.G					
2-7	HB-K.32.STS-1.29.G					
1-7	HB.32.STS-1.29.G					
1-1	HB.32.STS-VS-1.29.G					
0-1	HB.32.STS-GR-1.29.G					
2-6	HB-K.32.STS-GR-1.29.G					
1-6	HB-Z.32.STS-ZB-1.29.G					
1-6	HB-K/Z.32.STS-ZB-1.29.G					

THIS DRAWING IS A CONTROLLED DOCUMENT. DIMENSIONS: mm. TOLERANCES UNLESS OTHERWISE SPECIFIED: 0 PLC ±0.1, 1 PLC ±0.2, 2 PLC ±0.3, 3 PLC ±0.4, 4 PLC ±0.5, ANGLES ±0.5°. MATERIAL: -. FINISH: -. THIS DRAWING IS UNPUBLISHED. RELEASED FOR PUBLICATION 2006. COPYRIGHT 2006 BY - ALL RIGHTS RESERVED.

OWN: R. SCHNEIDER 12MAY2009  
 CH: T. SCHNURPFEL 12MAY2009  
 APVD: -

NAME: HOOD  
 PRODUCT SPEC: HB.32.STS.1.29.G  
 APPLICATION SPEC: -

SIZE: A1 CAGE CODE: 00779 DRAWING NO: C=1102348  
 WEIGHT: -

CUSTOMER DRAWING SCALE: 1:1 SHEET 1 OF 1 REV: A3

**STE** TE Connectivity

## X-ON Electronics

Largest Supplier of Electrical and Electronic Components

*Click to view similar products for [Heavy Duty Power Connectors](#) category:*

*Click to view products by [TE Connectivity](#) manufacturer:*

Other Similar products are found below :

[647757-1](#) [6643411-1](#) [6646058-2](#) [6646137-1](#) [6646138-1](#) [6646479-1](#) [6646608-1](#) [6646786-1](#) [6646940-1](#) [6651091-1](#) [6651525-1](#) [6651529-1](#)  
[6651788-1](#) [696475-1](#) [702-32-01109](#) [703-25-02205](#) [73000005059](#) [73000005642](#) [73080255059](#) [73080965046](#) [765-15-0080A](#) [765-16-0080B](#)  
[765-18-0080D](#) [829992-1](#) [902-77-02113](#) [PS00/A0620/6300](#) [PS25/A0420/63](#) [129-1J](#) [1409400](#) [AN0024023](#) [E6374G1](#) [e6389g2](#) [157-43GW8](#)  
[MS3117-14AC](#) [1643543-1](#) [1650540-1](#) [1651811-2](#) [1766260-1](#) [1766282-1](#) [1766966-1](#) [1791340000](#) [NLDFT-3-BL-L-S120-M40A](#) [NLDFT-N-](#)  
[W-L-C240-M40B](#) [NLS-2-R-C240-M40B](#) [NLS-N-W-C240-M40B](#) [NPS-3-BL-T6](#) [1986615-1](#) [2-1589900-8](#) [2199314-1](#) [KA8102](#)