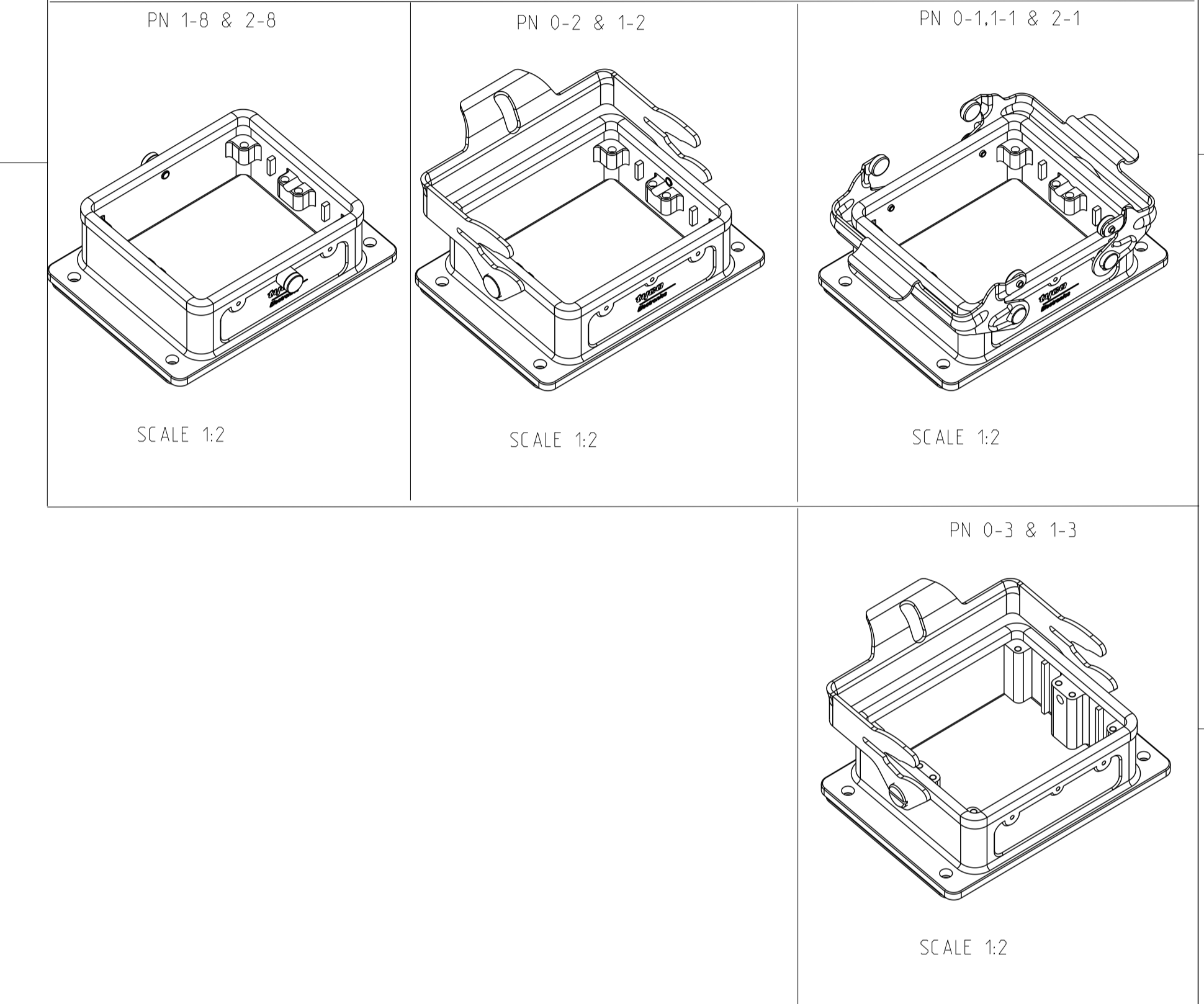


REVISIONS				
P	LTH	DESCRIPTION	DATE	OWN APVD
A8		ECR - 001736	23SEP2009	GW ST
A9		ECR-09-022013	09OCT2009	AR ST
A10		ECR-16-015318	26OCT2017	GR MKO
A11		REVISED PER ECR-17-013084	12JAN2018	SRG MKO

- NOTES.
- 1 Material:Housing:Aluminium Diecasting Alloy Seats Neoprene
 - 2 Surface:Aluminium oxide + Varnish black - Grey
 - 3 Varnish on the inside not necessary
 - 4 TE Logo removed.
 - 5 Packaging Quantity 3 Pieces in a box



QTY	DESCRIPTION	MATERIAL	SURFACE	COLOR	ITEM NO	NOTES
1	Flange seal	Viton		Grey	17	
1	Profile seal	Viton		Grey	16	
1	Surface mounted housing bottom entry HB	Aluminium		Grey	15	Neutral
1	Flange seal	Rubber		Black	14	
1	Profile seal	Neoprene		Black	13	
2	ZB-Slide spool	Stainless steel			12	
2	ZB-Slide spool	Steel	Zinc plated	Blue	11	
2	ZB-Clip bolt	stainless steel			10	
2	ZB-Clip bolt	Steel	Zinc plated	Blue	9	
2	LB-Clip positioner	Steel	Zinc plated	Blue	8	
1	LB-Side clip	Steel	Zinc plated	Blue	7	
4	VS-Clip positioner	Stainless steel			6	
4	VS-Clip positioner	Steel	Zinc plated	Blue	5	
2	VS-Side clip	stainless steel			4	
2	VS-Side clip	Steel	Zinc plated	Blue	3	
1	Surface mounted housing bottom entry HB-K	Aluminium	Aluminium oxide	Black	2	
1	Surface mounted housing bottom entry HB	Aluminium		Grey	1	

THIS DRAWING IS A CONTROLLED DOCUMENT. DIMENSIONS: mm. TOLERANCES UNLESS OTHERWISE SPECIFIED: 0 PLC ±0.1, 1 PLC ±0.2, 2 PLC ±0.3, 3 PLC ±0.4, 4 PLC ±0.5, ANGLES ±0.5.

OWN: Schneider 27.09.2002
CHK: Schneider 27.09.2002

NAME: Surface mounted housing bottom entry HB.32.AGD

PRODUCT SPEC: -
APPLICATION SPEC: -
WEIGHT: -
CUSTOMER DRAWING

SCALE: 1:1 SHEET 1 OF 1 REV: A11

X-ON Electronics

Largest Supplier of Electrical and Electronic Components

Click to view similar products for [Heavy Duty Power Connectors](#) category:

Click to view products by [TE Connectivity](#) manufacturer:

Other Similar products are found below :

[647757-1](#) [6643411-1](#) [6646058-2](#) [6646137-1](#) [6646138-1](#) [6646479-1](#) [6646608-1](#) [6646786-1](#) [6646940-1](#) [6651091-1](#) [6651525-1](#) [6651529-1](#)
[6651788-1](#) [696475-1](#) [702-32-01109](#) [703-25-02205](#) [73000005059](#) [73000005642](#) [73080255059](#) [73080965046](#) [765-15-0080A](#) [765-16-0080B](#)
[765-18-0080D](#) [829992-1](#) [902-77-02113](#) [PS00/A0620/6300](#) [PS25/A0420/63](#) [129-1J](#) [1409400](#) [AN0024023](#) [E6374G1](#) [e6389g2](#) [157-43GW8](#)
[MS3117-14AC](#) [1643543-1](#) [1650540-1](#) [1651811-2](#) [1766260-1](#) [1766282-1](#) [1766966-1](#) [1791340000](#) [NLDFT-3-BL-L-S120-M40A](#) [NLDFT-N-](#)
[W-L-C240-M40B](#) [NLS-2-R-C240-M40B](#) [NLS-N-W-C240-M40B](#) [NPS-3-BL-T6](#) [1986615-1](#) [2-1589900-8](#) [2199314-1](#) [KA8102](#)