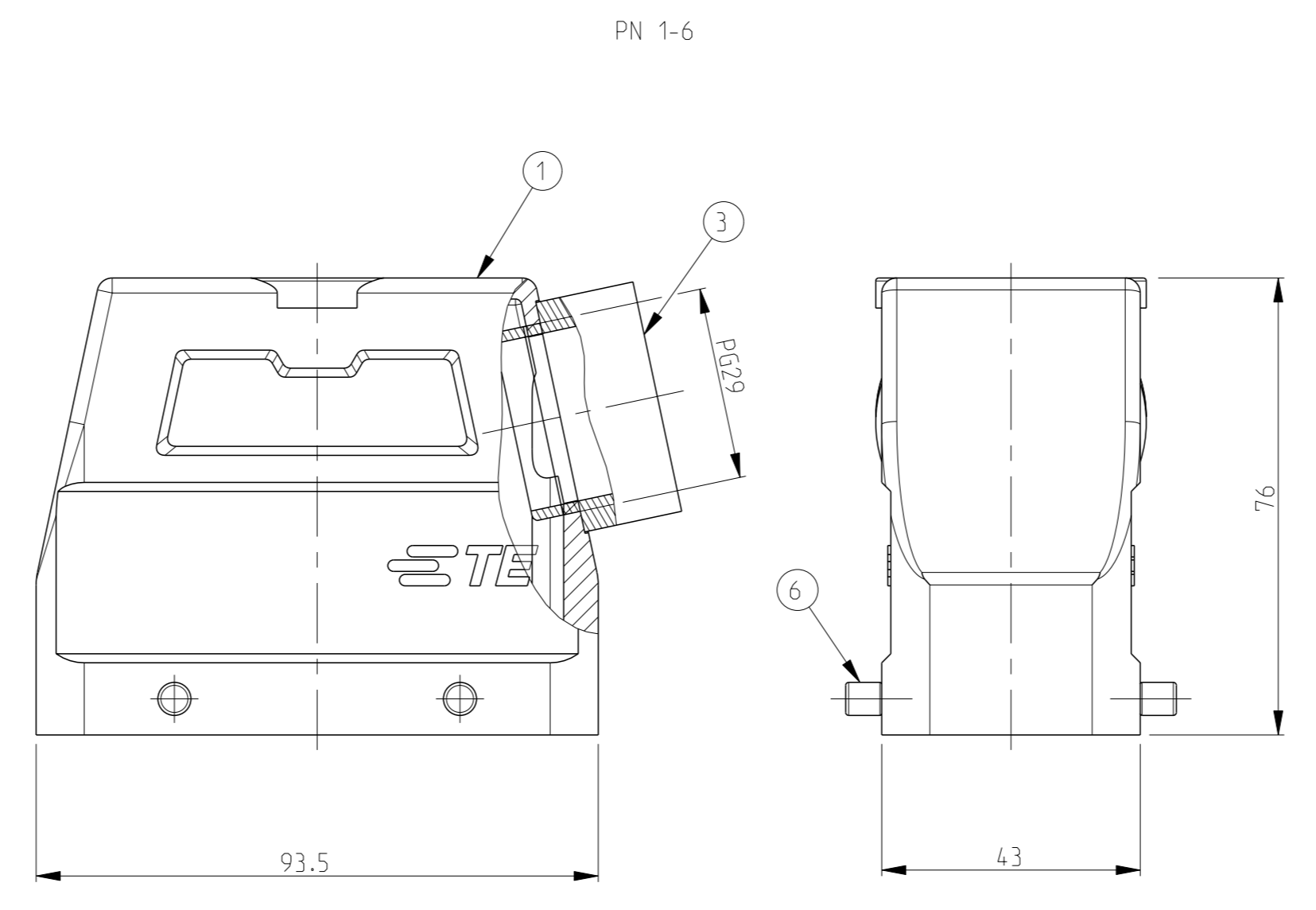
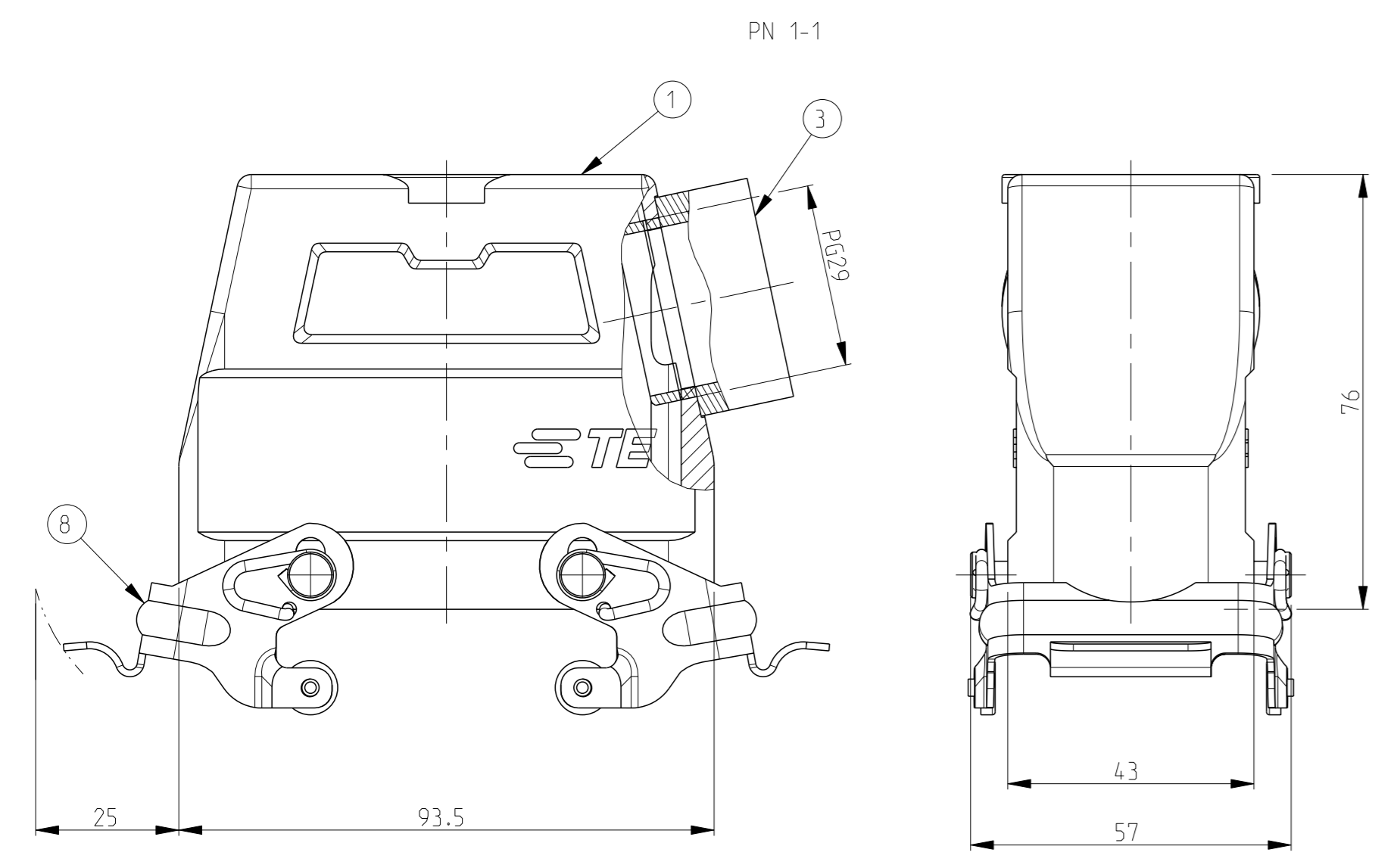
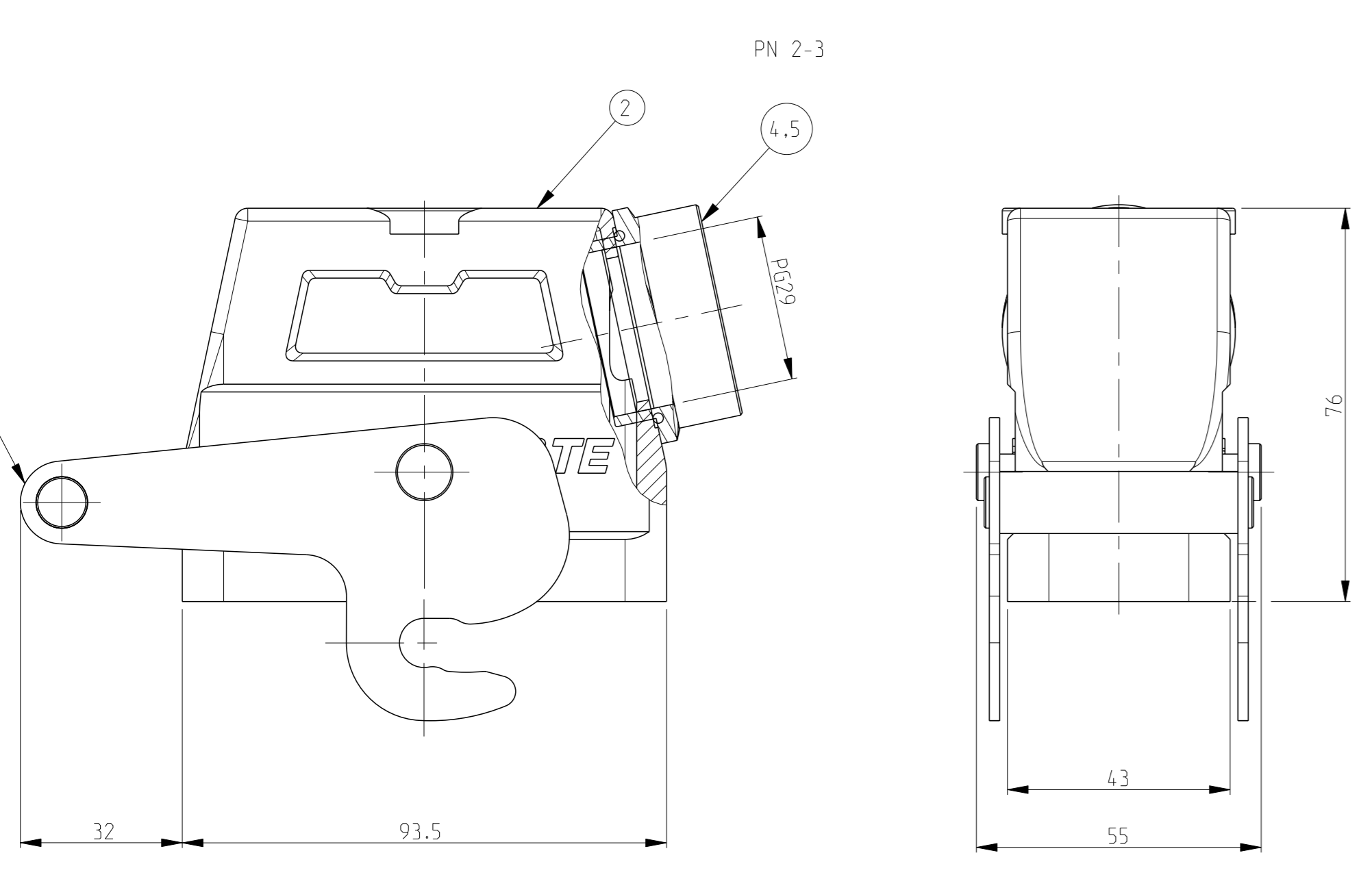
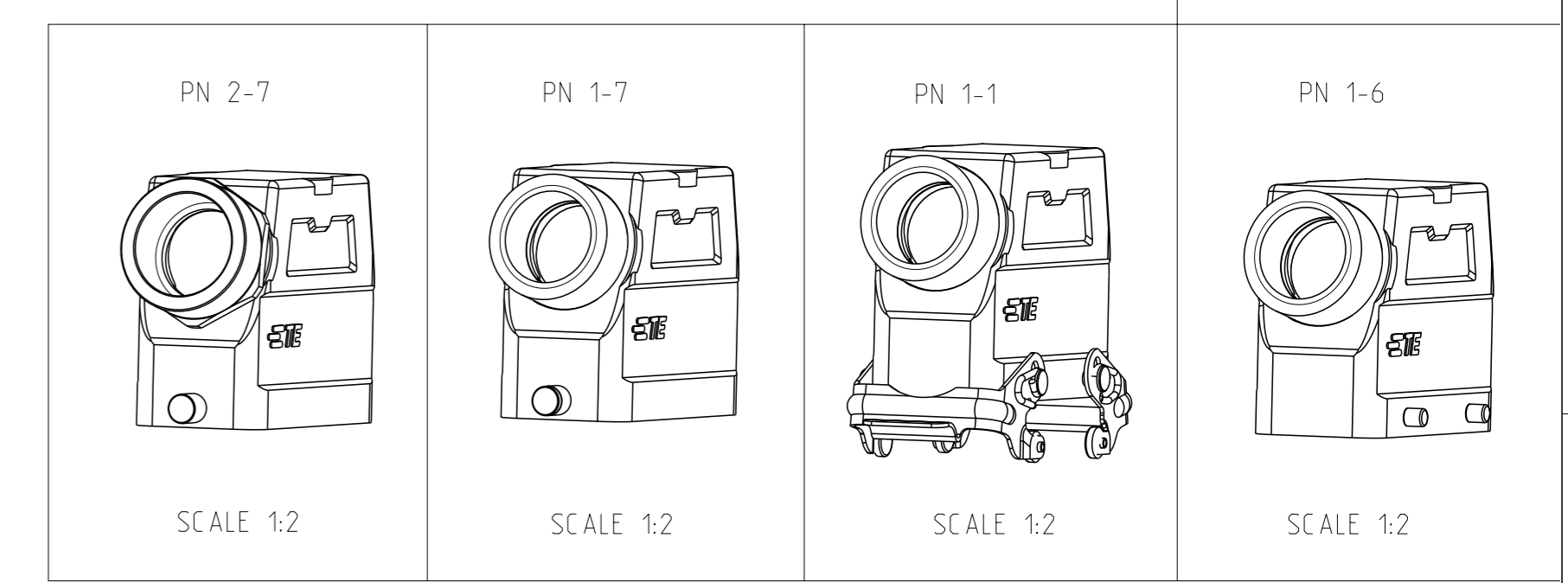
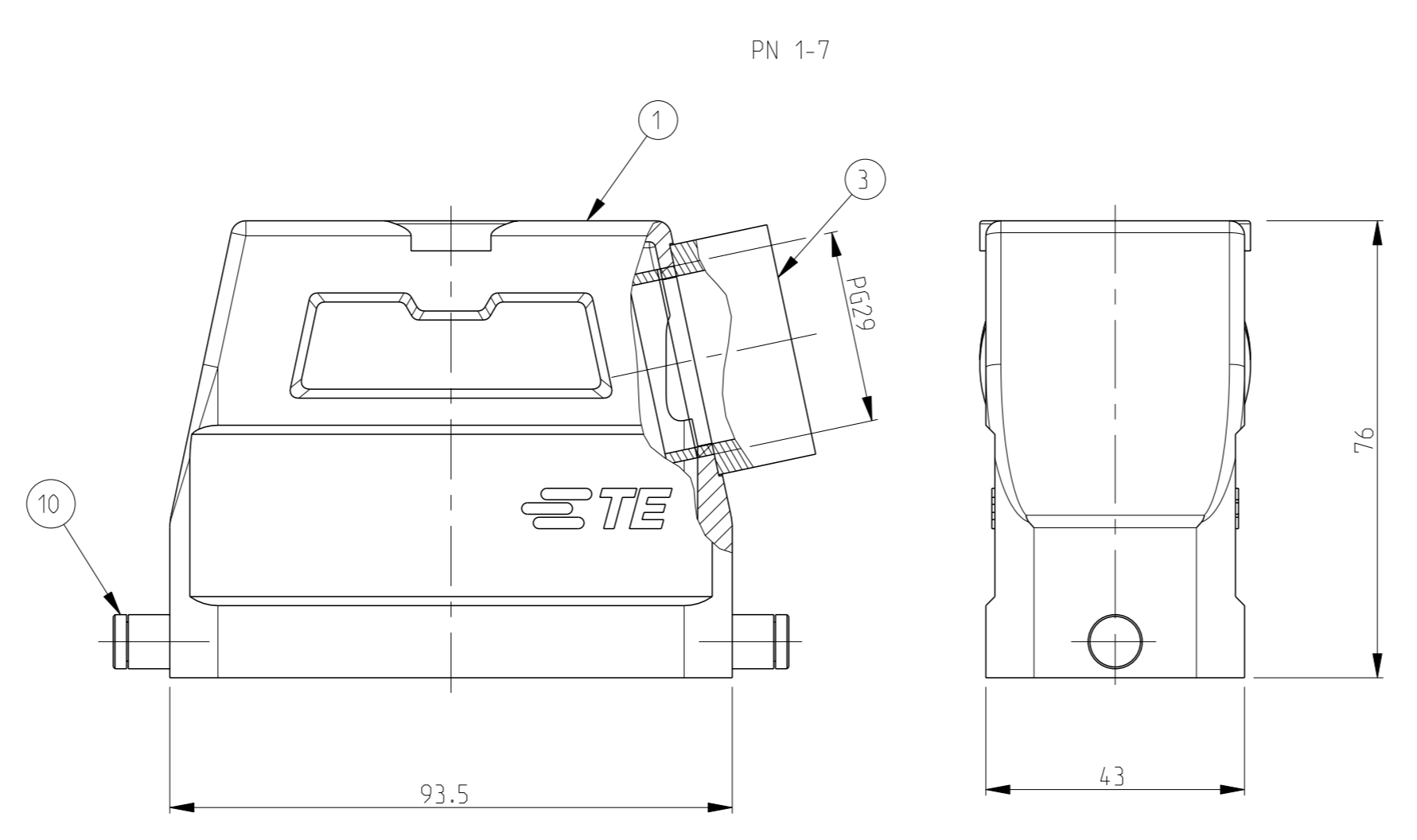
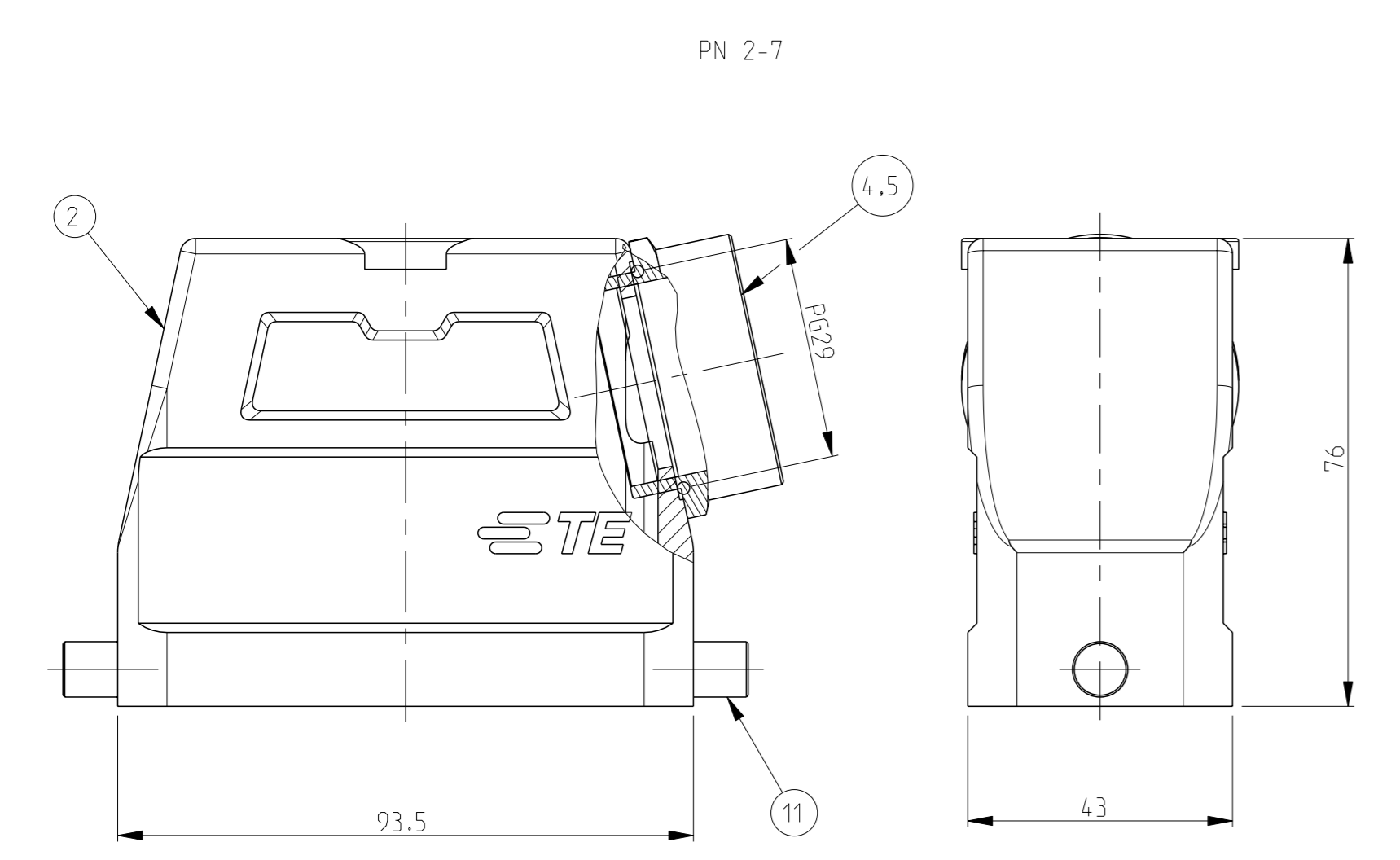
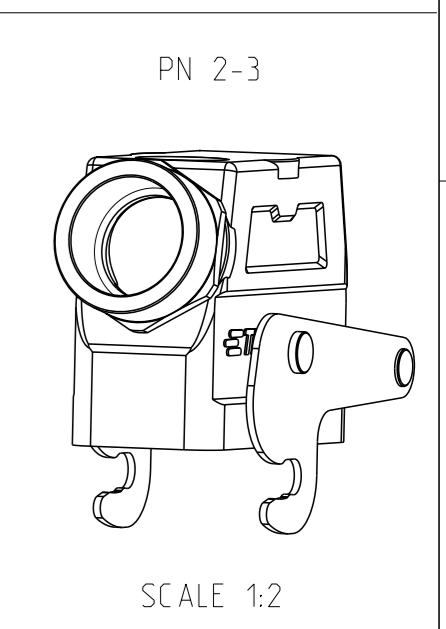


REVISIONS				
#	CLM	DESCRIPTION	DATE	OWN APVD
A5		Released as per ECR-07-012890	12-06-07	SK TS
A6		REVISED PER ECO-09-027197	29DEC09	KK AEG
A7		REVISED PER ECR-17-013084	08JAN2018	NC MKO



- NOTES
- Material: Housing: aluminium diecasting alloy
 - Surface:- powder varnish-grey
Varnish black
 - Varnish on the inside not necessarily
 - Packaging quantity 5 pieces
 - 5 OBSOLETE PARTS: OBSOLETE C IS STREAMLINING PER D.RENAUD/D.SINISI



QTY	DESCRIPTION	MATERIAL	SURFACE	COLOR	ITEM NO	REMARKS
13	ZB-Locking clip	V2A	-	-	13	
12	ZB-Locking clip	Steel	Zinc plated	Blue	12	
11	LB-Clip bolt	V2A	-	-	11	
10	LB-Clip bolt	Steel	Zinc plated	Blue	10	
9	VS-Locking clip	V2A	-	-	9	
8	VS-Locking clip	Steel	Zinc plated	Blue	8	
7	VS-Clip bolt	V2A	-	-	7	
6	VS-Clip bolt	Steel	Zinc plated	Blue	6	
5	O-Ring PG29	Neoprene	-	Black	5	
4	6-K1 clip spring right PG29	Brass	Nickel plated	-	4	
3	Connecting piece round PG29	Brass	Nickel plated	-	3	
2	Hood HD40 Pg1.29	Aluminium	Aluminium oxide	Black	2	
1	Hood HD40 Pg1.29	Aluminium	-	Grey	1	
2-3	DESCRIPTION	MATERIAL	SURFACE	COLOR	ITEM NO	REMARKS
1-B	DESCRIPTION					
2-7	DESCRIPTION					
1-7	DESCRIPTION					
2-1	DESCRIPTION					
1-1	DESCRIPTION					
2-6	DESCRIPTION					
1-6	DESCRIPTION					
	HD-40-Sts-1.29-Z					
	HD-K-40-Sts-1.29-Z					
	HD-40-Sts-VS-1.29-Z					
	HDK-40-Sts-VS-1.29-Z					
	HD-40-Sts-GR-1.29-Z					
	HD-K-40-Sts-GR-1.29-Z					
	HD-Z-40-Sts-ZB-1.29-Z					
	HD-K/2-40-Sts-ZB-1.29-Z					

THIS DRAWING IS A CONTROLLED DOCUMENT. OWN: Gr-Stf, 11.12.1997. CHK: Kramer, 02.06.98.

DIMENSIONS: mm. TOLERANCES UNLESS OTHERWISE SPECIFIED: 0 PLC ±, 1 PLC ±, 2 PLC ±, 3 PLC ±, 4 PLC ±, ANGLES FINISH.

MATERIAL: HD-40-Sts-1.29-Z

PRODUCT SPEC: HD 40 STS1.29.Z

APPLICATION SPEC: A1

WEIGHT: -

CUSTOMER DRAWING: A1 00779 ©=1102566

SCALE: 1:1 SHEET: 1 OF 1 REV: A7

X-ON Electronics

Largest Supplier of Electrical and Electronic Components

Click to view similar products for [Heavy Duty Power Connectors](#) category:

Click to view products by [TE Connectivity](#) manufacturer:

Other Similar products are found below :

[1424439](#) [1424438](#) [09330062652](#) [605601-1](#) [6340G1](#) [6341G1](#) [6360G1](#) [6373G1](#) [6374g2](#) [6396G1](#) [647757-1](#) [6643411-1](#) [6646058-2](#) [6646137-1](#)
[6646138-1](#) [6646348-1](#) [6646479-1](#) [6646608-1](#) [6646786-1](#) [6646940-1](#) [6651525-1](#) [6651529-1](#) [6651778-1](#) [6651788-1](#) [696465-1](#) [696475-1](#)
[73000005059](#) [73000005349](#) [73000005642](#) [73080965046](#) [765-15-0080A](#) [765-16-0080B](#) [789.700-44](#) [789.700-54](#) [80-1010](#) [80-9](#) [827381-1](#)
[829992-1](#) [902-77-02113](#) [PL00U-301-10D10](#) [PM103MOOLOO](#) [PM212MOOLOO](#) [PM309FOOLOO](#) [PM324FOOLCH](#) [PMHPAF11S03](#)
[PMHPAF14S01](#) [PMHPAM14P05](#) [PMHPAS06](#) [PMHPBF14S01](#) [PP45PC12S](#)