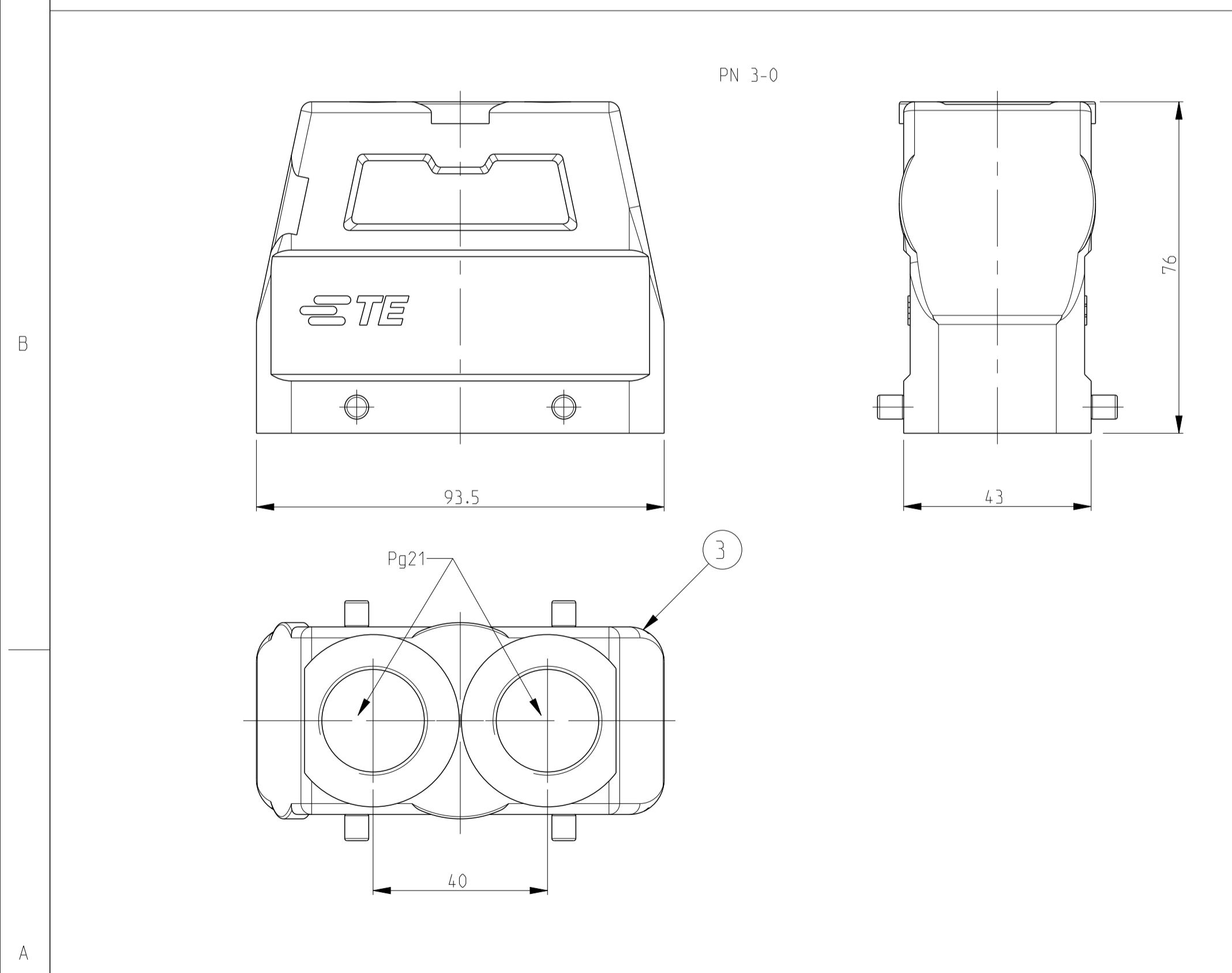
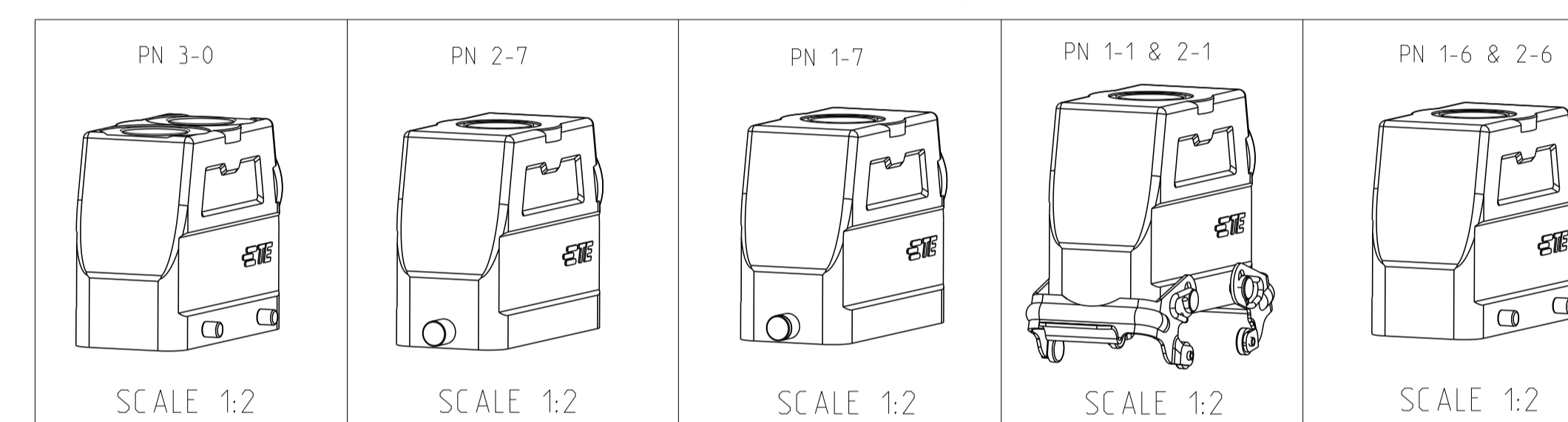


REVISIONS				
P.	LTN	DESCRIPTION	DATE	APVD
A3		REVISED PER ECR-16-016768	17AUG2017	AP MKO
A4		ECR-17-014011	27MAR2018	SG MKO

NOTES

- 1 Material: Housing: aluminium diecasting alloy
Seals: Neoprene
- 2 Surface: - varnish-grey
Aluminium oxide+
Varnish black
- 3 Packaging quantity: 5 pieces



QTY	DESCRIPTION	MATERIAL	SURFACE	COLOR	ITEM NO	NOTES
2	LB-Clip bolt	Stainless steel	-	-	9	-
2	LB-Clip bolt	Steel	Zinc plated	Blue	8	-
2	VS-Locking clip	Stainless steel	-	-	7	-
2	VS-Locking clip	Steel	Zinc plated	Blue	6	-
4	VS-Clip bolt	Stainless steel	-	-	5	-
4	VS-Clip bolt	Steel	Zinc plated	Blue	4	-
1	Hood HD.40.Pg.1.21	Aluminium	-	Grey	3	Special
1	Hood HD.40.Pg.1.21	Aluminium	Aluminium oxide	Black	2	-
1	Hood HD.40.Pg.1.21	Aluminium	-	Grey	1	-

ORDERING TEXT				
HD.40.Sto.1.21.G				
HD-K.40.Sto.1.21.G				
HD.40.Sto.VS.1.21.G				
HD-K40.Sto.VS.1.21.G				
HD.40.Sto-GR.1.21.G				
HD-K40.Sto-GR.1.21.G				
HD.40.Sto-2.21-S0				

THIS DRAWING IS A CONTROLLED DOCUMENT.		OWN: Schneider 12.04.99	
		CHK: Schweizer 12.04.99	
DIMENSIONS: mm	TOLERANCES UNLESS OTHERWISE SPECIFIED:	NAME: HOOD HD.40.STO.1.21	
0 mm to 30 mm ±0.1	0.3 mm to 0.6 mm ±0.05	PRODUCT SPEC: -	SIZE: A1
0.6 mm to 3 mm ±0.05	3 mm to 6 mm ±0.1	APPLICATION SPEC: -	CAGE CODE: 00779
6 mm to 30 mm ±0.1	> 30 mm ±0.15	WEIGHT: -	DRAWING NO: C=1102570
MATERIAL FINISH: -		CUSTOMER DRAWING	SCALE: 1:1 SHEET 1 OF 1 REV A4

X-ON Electronics

Largest Supplier of Electrical and Electronic Components

Click to view similar products for [Heavy Duty Power Connectors](#) category:

Click to view products by [TE Connectivity](#) manufacturer:

Other Similar products are found below :

[647757-1](#) [6643411-1](#) [6646058-2](#) [6646137-1](#) [6646138-1](#) [6646479-1](#) [6646608-1](#) [6646786-1](#) [6646940-1](#) [6651091-1](#) [6651525-1](#) [6651529-1](#)
[6651788-1](#) [696475-1](#) [702-32-01109](#) [703-25-02205](#) [73000005059](#) [73000005642](#) [73080255059](#) [73080965046](#) [765-15-0080A](#) [765-16-0080B](#)
[765-18-0080D](#) [829992-1](#) [902-77-02113](#) [PS00/A0620/6300](#) [PS25/A0420/63](#) [129-1J](#) [1409400](#) [AN0024023](#) [E6374G1](#) [e6389g2](#) [157-43GW8](#)
[MS3117-14AC](#) [1643543-1](#) [1650540-1](#) [1651811-2](#) [1766260-1](#) [1766282-1](#) [1766966-1](#) [1791340000](#) [NLDFT-3-BL-L-S120-M40A](#) [NLDFT-N-](#)
[W-L-C240-M40B](#) [NLS-2-R-C240-M40B](#) [NLS-N-W-C240-M40B](#) [NPS-3-BL-T6](#) [1986615-1](#) [2-1589900-8](#) [2199314-1](#) [KA8102](#)