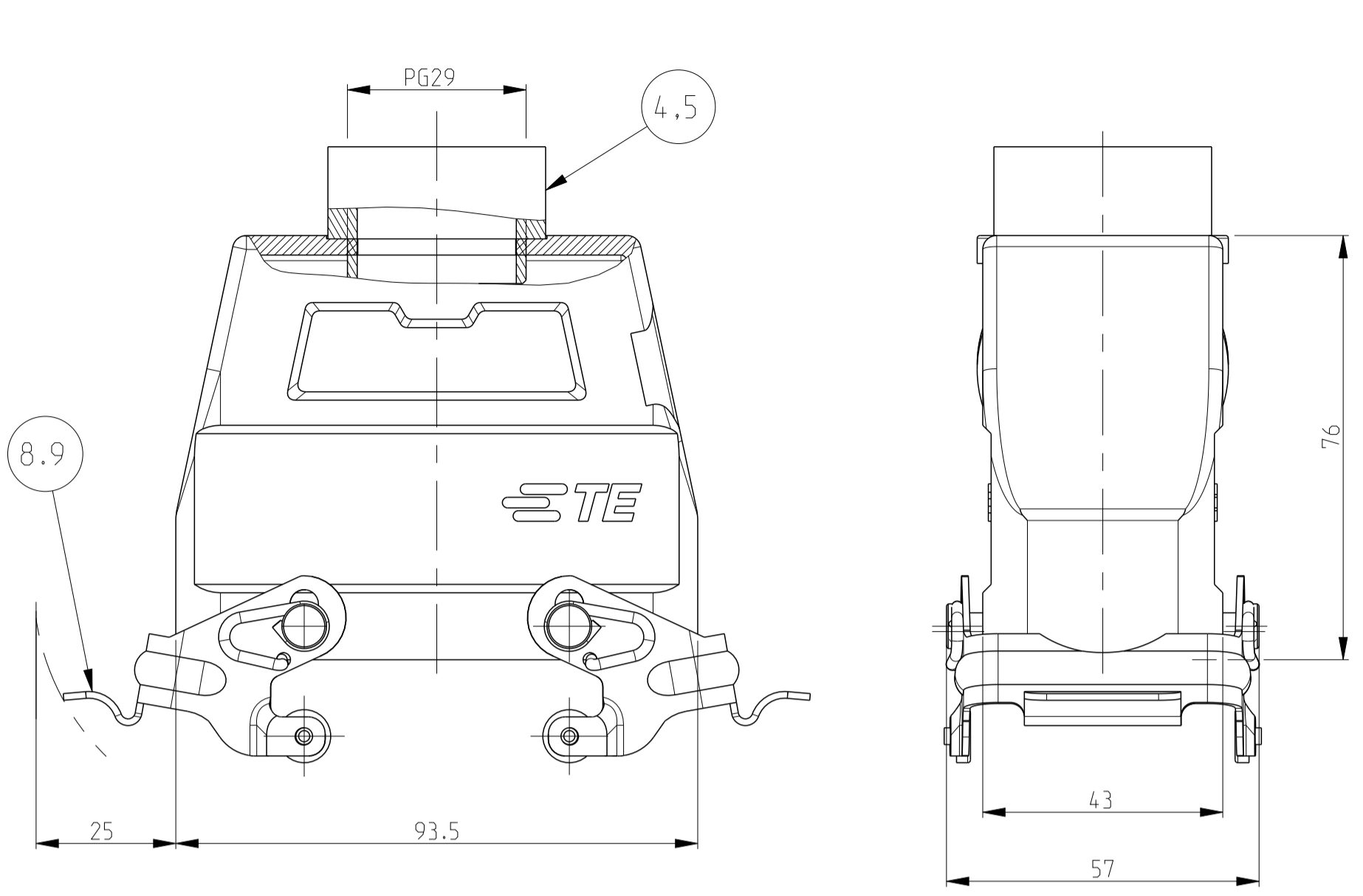
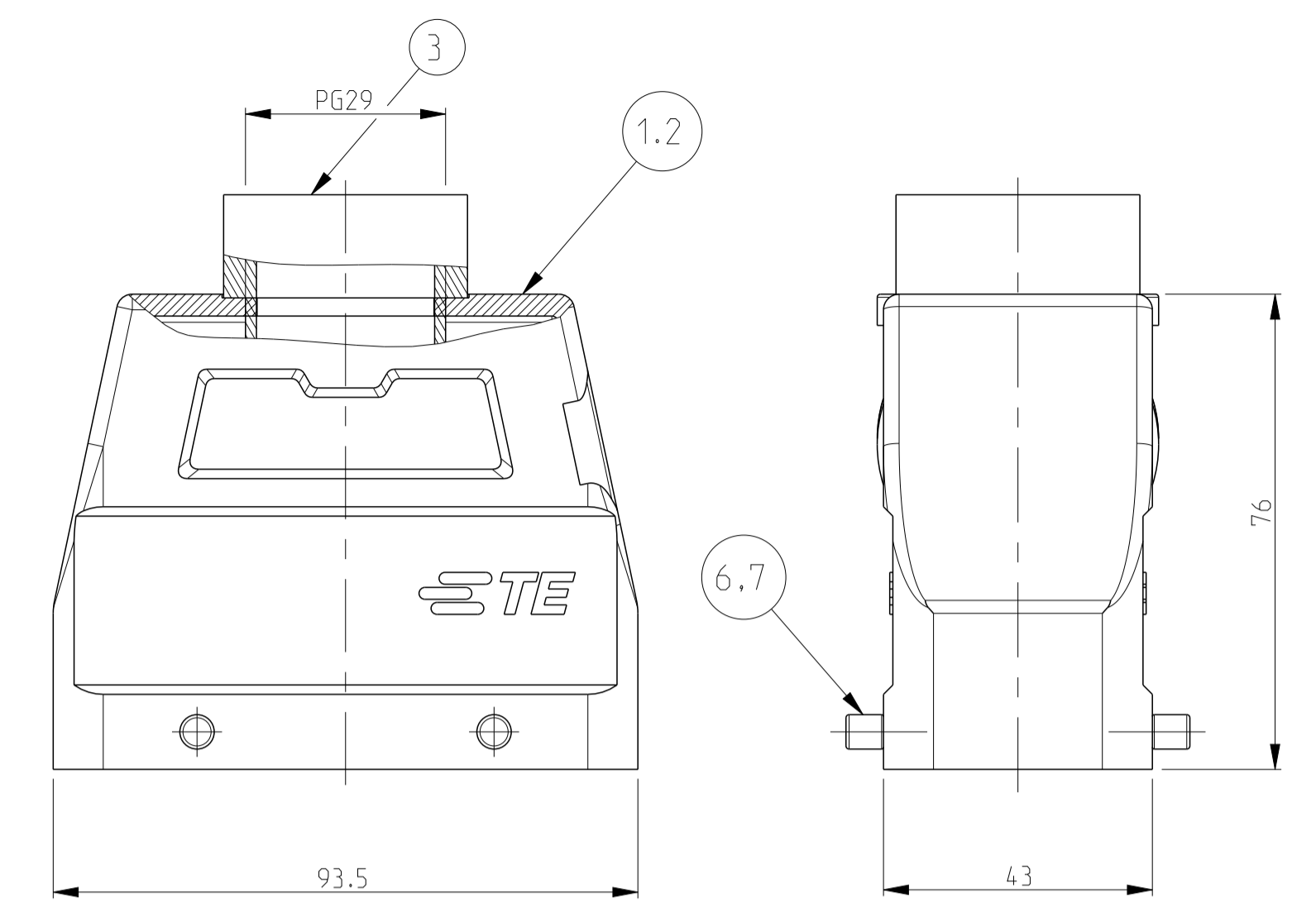


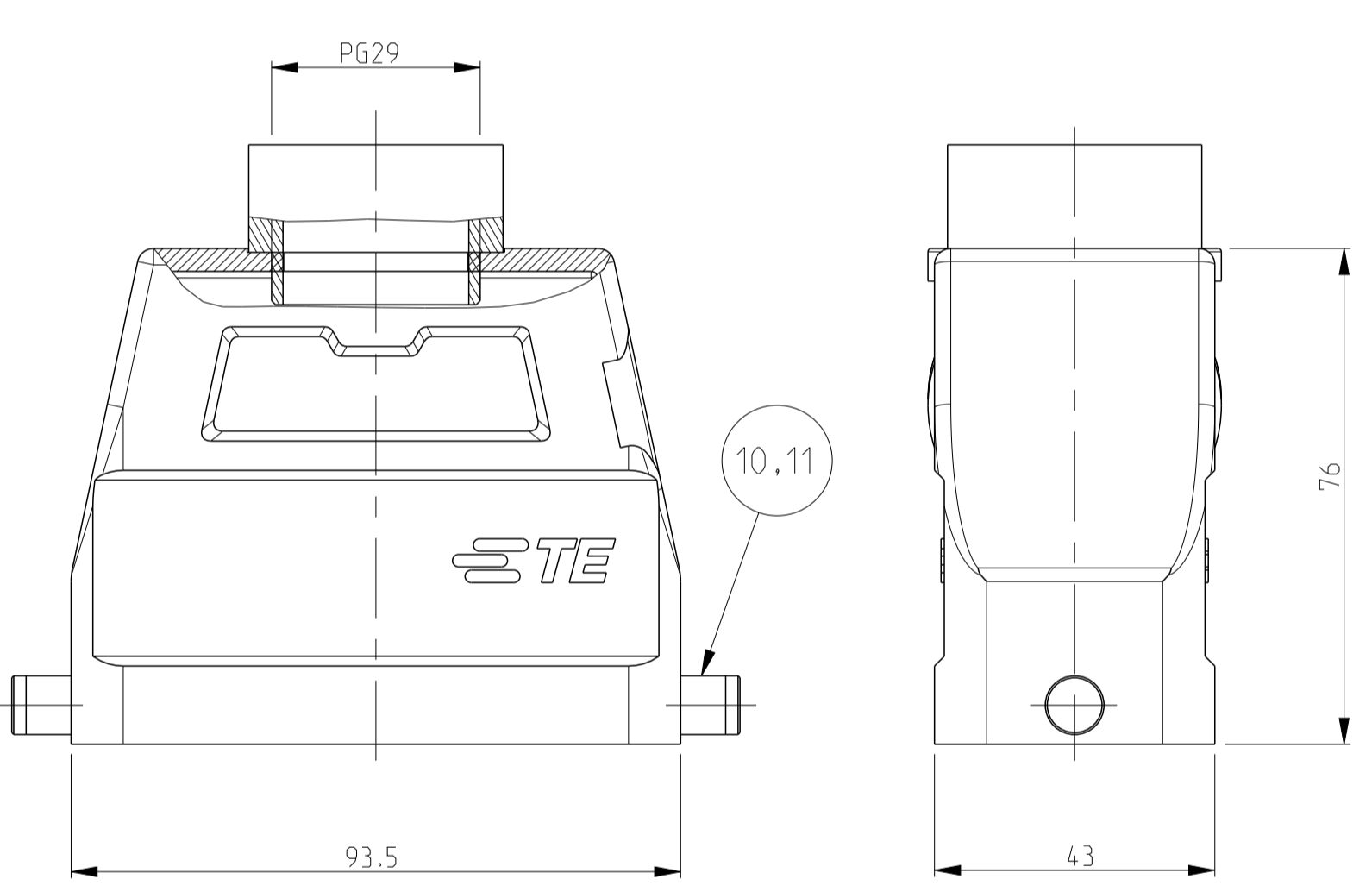
PN 1-1



PN 1-6 & 7-6

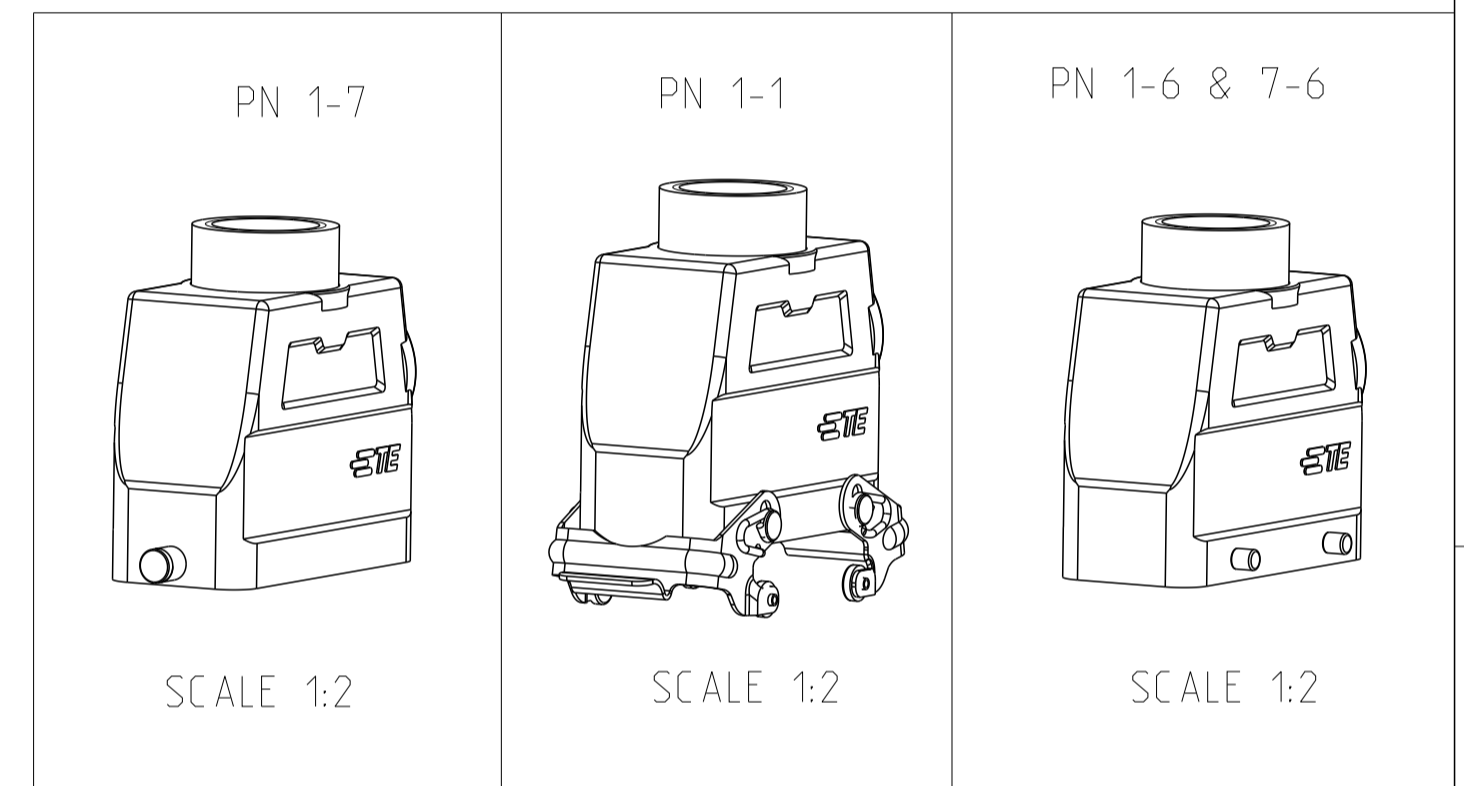


PN 1-7



REVISIONS					
REV.	DATE	DESCRIPTION	BY	CHK	APPV
B6	18JAN2018	REVISED PER ECR-17-014011	SRG	MKO	

- NOTES
- 1 Material: Housing: aluminium diecasting alloy
 - 2 Surface:- Powder varnish :grey
 :black
 - 3 Varnish on the inside not necessary
 - 4 Packaging quantity: 5 pieces



QTY	REV	DESCRIPTION	MATERIAL	SURFACE	COLOR	ITEM NO	NOTES
2		LB-clip bolt	Stainless steel	-	-	11	-
2		LB-clip bolt	Steel	Zinc plated	Blue	10	-
2		VS-side clip	Stainless steel	-	-	9	-
2		VS-side clip	Steel	Zinc plated	Blue	8	-
4		VS-Clip bolt	Stainless steel	-	-	7	-
4		VS-Clip bolt	Steel	Zinc plated	Blue	6	-
1		O Ring Pg29	Neoprene	-	Black	5	-
1		Adapter 6kt Pg29	Brass	Nickel plated	-	4	-
1		Adapter Pg29	Brass	Nickel plated	-	3	-
1		Hood HD.40.Pg.1.29	Aluminium	-	Black	2	-
1		Hood HD.40.Pg.1.29	Aluminium	-	Grey	1	-

ORDERING TEXT

HD.40.Sto 1.29.Z

HD.40.Sto 1.29.Z.Sto

HD K40.Sto 1.29.Z

HD .40.Sto-VS.1.29.Z

HD K40.Sto VS.1.29.Z

HD.40.Sto-GR.1.29.Z

HD K40.Sto GR.1.29.Z

THIS DRAWING IS A CONTROLLED DOCUMENT.

OWN: Gr-St 12.11.1997
 CHK: Kramer 23.06.98

NAME: HOOD HD.40
 HD.40.STO.1.29.Z

STE TE Connectivity

DIMENSIONS: mm
 TOLERANCES UNLESS OTHERWISE SPECIFIED:
 0 - 0.05
 1 - 0.10
 2 - 0.15
 3 - 0.20
 4 - 0.30
 5 - 0.40
 ANGLES FINISH: ±

MATERIAL: -

PRODUCT SPEC: -
 APPLICATION SPEC: -
 WEIGHT: -

SIZE: A1
 CAGE CODE: 00779
 DRAWING NO: 1102572

CUSTOMER DRAWING SCALE: 1:1 SHEET 1 OF 1 REV: B6

X-ON Electronics

Largest Supplier of Electrical and Electronic Components

Click to view similar products for [Heavy Duty Power Connectors](#) category:

Click to view products by [TE Connectivity](#) manufacturer:

Other Similar products are found below :

[647757-1](#) [6643411-1](#) [6646058-2](#) [6646137-1](#) [6646138-1](#) [6646479-1](#) [6646608-1](#) [6646786-1](#) [6646940-1](#) [6651091-1](#) [6651525-1](#) [6651529-1](#)
[6651788-1](#) [696475-1](#) [702-32-01109](#) [703-25-02205](#) [73000005059](#) [73000005642](#) [73080255059](#) [73080965046](#) [765-15-0080A](#) [765-16-0080B](#)
[765-18-0080D](#) [829992-1](#) [902-77-02113](#) [PS00/A0620/6300](#) [PS25/A0420/63](#) [129-1J](#) [1409400](#) [AN0024023](#) [E6374G1](#) [e6389g2](#) [157-43GW8](#)
[MS3117-14AC](#) [1643543-1](#) [1650540-1](#) [1651811-2](#) [1766260-1](#) [1766282-1](#) [1766966-1](#) [1791340000](#) [NLDFT-3-BL-L-S120-M40A](#) [NLDFT-N-](#)
[W-L-C240-M40B](#) [NLS-2-R-C240-M40B](#) [NLS-N-W-C240-M40B](#) [NPS-3-BL-T6](#) [1986615-1](#) [2-1589900-8](#) [2199314-1](#) [KA8102](#)