

THIS DRAWING IS UNPUBLISHED.

RELEASED FOR PUBLICATION

2006

© COPYRIGHT 2006 BY -

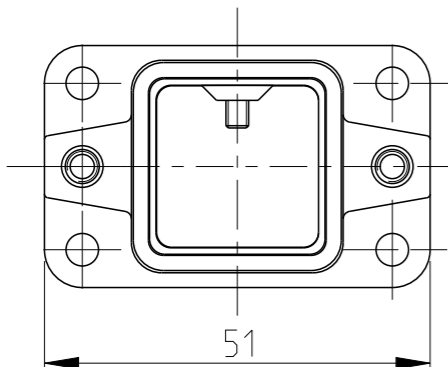
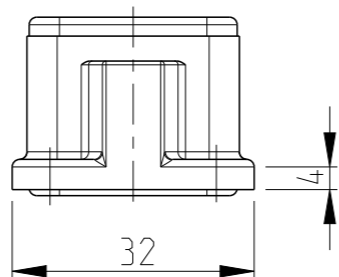
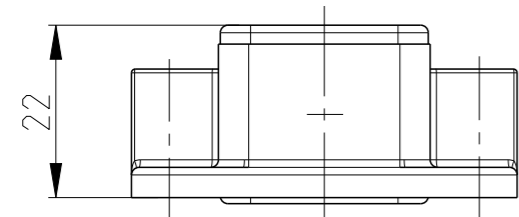
ALL RIGHTS RESERVED.

LOC
A1

DIST
-

REVISIONS

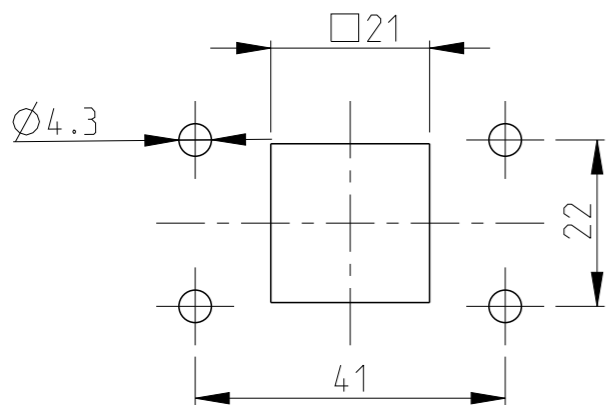
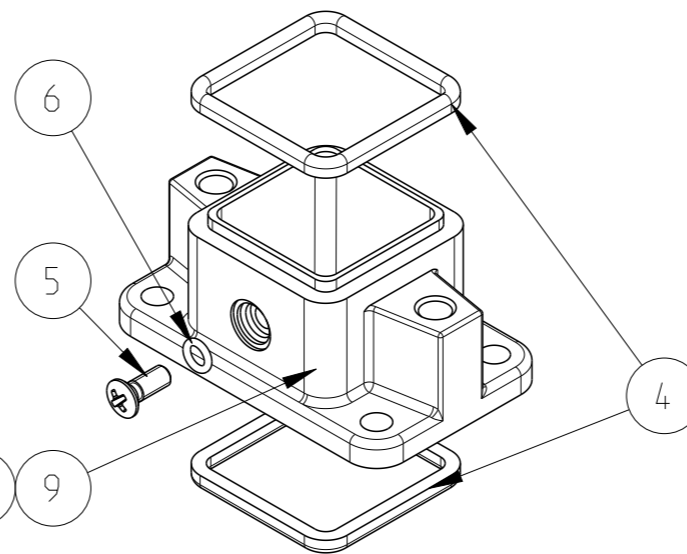
P	LTR	DESCRIPTION	DATE	DWN	APVD
B		ECR-16-001977	01APR2016	GCM	JB
B1		ECR-16-009320	15DEC2016	GCM	MKO
B2		ECR-16-015318	17AUG2017	GR	MKO
C		ECR-17-017420	30NOV2017	GCM	JB



PN 1-5 AS SHOWN

Notes

- 1 SUITABLE HOUSINGS: SERIES HIP, SIZE 1
CUSTOMER DRAWING 1102600, 1106408, 1106200
- 2 STANDARDS:
DIN EN 61984, DIN EN 60664-1
- 3 TOOL:
PHILLIPS SCREWDRIVER PH1.
- 4 VARNISH ON INSIDE AREA NOT NECESSARY
- 5 PACKAGING:
10 SETS IN A CARTON



OB	OB			DESCRIPTION	MATERIAL	COLOR/SURFACE	NOTE	ITEM
1				BULKHEAD HOUSING	ALU	BLACK	SERIES HIP-K - WITHOUT LOGO	9
	x	x	-	GLUE	CYANACRYLAT	BLACK	LOCTITE 480	8
	-	-	x	GLUE	CYANACRYLAT	NATURAL	LOCTITE 401	7
1	1	1	1	O - RING	NBR	BLACK	3.0x1.0	6
1	1	1	1	SCREW COUNTERSUNK RAISED HEAD	STAINL. STEEL V2A	-	M3x8 PH1 DIN EN ISO 7047	5
2	2	2	2	PROFILE SEAL	FKM	BLACK	SERIES EMV / HIP	4
	1	-	-	BULKHEAD HOUSING	ALU	BLACK	SERIES HIP-K WEIDMÜLLER LOGO	3
	-	1	-	BULKHEAD HOUSING	ALU	BLACK	SERIES HIP-K	2
	-	-	1	BULKHEAD HOUSING	ALU	GREY	SERIES HIP	1
0-2	0-1	2-5	1-5					
				DESCRIPTION	MATERIAL	COLOR/SURFACE	NOTE	ITEM

PARTS LIST (PER ONE UNIT)

OBSOLETE	0-2	HIP-K.3/4.AG-N
	0-1	HIP-K.3/4.AG.WE
	2-5	HIP-K.3/4.AG
	1-5	HIP.3/4.AG
PART NO.	ORDERING TEXT	

THIS DRAWING IS A CONTROLLED DOCUMENT.

DWN V.GLUMM 12AUG2009
CHK H.Braun 12AUG2009
APVD T.Schnurpfeil 12AUG2009

STE TE Connectivity

NAME BULKHEAD HOUSING ASS'Y, BOTTOM ENTRY
SERIES HIP, SIZE 1

PRODUCT SPEC -
APPLICATION SPEC -
WEIGHT -

SIZE A3 CAGE CODE 00779 DRAWING NO C=1102603 RESTRICTED TO -

CUSTOMER DRAWING SCALE 1:1 SHEET 1 OF 1 REV C

DIMENSIONS: mm	TOLERANCES UNLESS OTHERWISE SPECIFIED:
	0 PLC ± 1 PLC ± 2 PLC ± 3 PLC ± 4 PLC ± ANGLES ±1°
MATERIAL -	FINISH -

X-ON Electronics

Largest Supplier of Electrical and Electronic Components

Click to view similar products for [Heavy Duty Power Connectors](#) category:

Click to view products by [TE Connectivity](#) manufacturer:

Other Similar products are found below :

[647757-1](#) [6643411-1](#) [6646058-2](#) [6646137-1](#) [6646138-1](#) [6646479-1](#) [6646608-1](#) [6646786-1](#) [6646940-1](#) [6651091-1](#) [6651525-1](#) [6651529-1](#)
[6651788-1](#) [696475-1](#) [702-32-01109](#) [703-25-02205](#) [73000005059](#) [73000005642](#) [73080255059](#) [73080965046](#) [765-15-0080A](#) [765-16-0080B](#)
[765-18-0080D](#) [829992-1](#) [902-77-02113](#) [PS00/A0620/6300](#) [PS25/A0420/63](#) [129-1J](#) [1409400](#) [AN0024023](#) [E6374G1](#) [e6389g2](#) [157-43GW8](#)
[MS3117-14AC](#) [1643543-1](#) [1650540-1](#) [1651811-2](#) [1766260-1](#) [1766282-1](#) [1766966-1](#) [1791340000](#) [NLDFT-3-BL-L-S120-M40A](#) [NLDFT-N-](#)
[W-L-C240-M40B](#) [NLS-2-R-C240-M40B](#) [NLS-N-W-C240-M40B](#) [NPS-3-BL-T6](#) [1986615-1](#) [2-1589900-8](#) [2199314-1](#) [KA8102](#)