

THIS DRAWING IS UNPUBLISHED.

RELEASED FOR PUBLICATION

2006

© COPYRIGHT 2006

ALL RIGHTS RESERVED.

LOC
A1

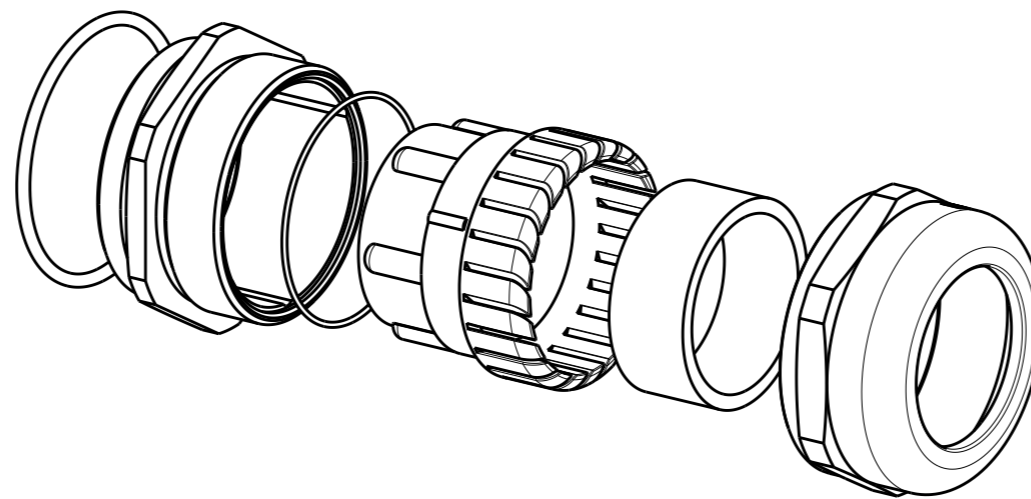
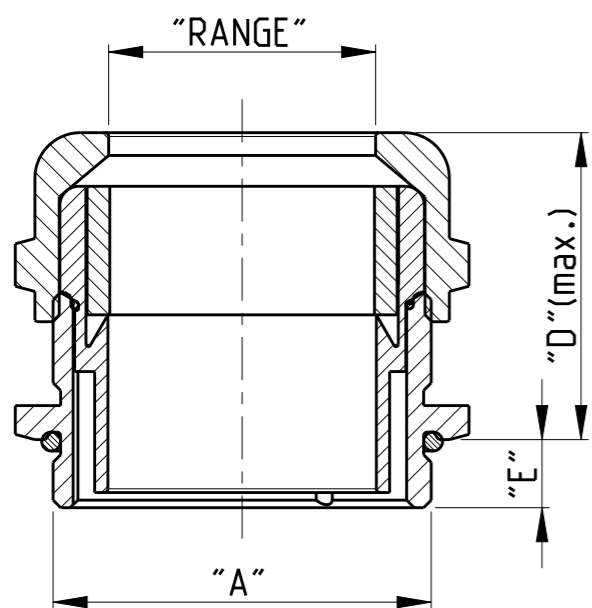
DIST
-

REVISIONS

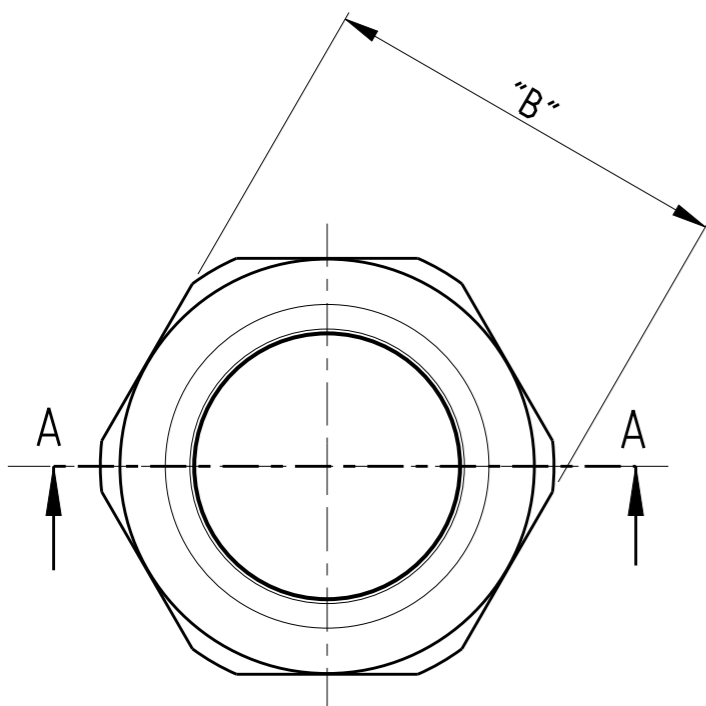
P	LTR	DESCRIPTION	DATE	DWN	APVD
A3		REVISED PER ECO-11-008493	22APR2011	HMR	MM
A4		ECR-15-008928	18JUN2015	GS	JB
A5		REVISED PER ECR-17-014412	03APR18	NG	MKO
A6		REVISED PER ECR-18-003249	11APR2019	SR	MKO

Notes

- 1 MATERIALS:
 DOME NUT & GLAND BODY : BRASS CuZn39Pb3. NICKEL-PLATED
 LAMELLAR INSERT: POLYAMIDE PA6 V-2
 SEALING RING: POLYCHLOROPRENE-NITRILE RUBBER CR/NBR
 O-RING: NITRILE RUBBER NBR



EXPLODED VIEW



	OBSOLETE		HUT .M50.MS	M50x1.5	SW 55	9	40.5	Ø24-35
SUPERSEDED BY T3609400112-000 OR T3609400102-000	4-0		HUT .M40.MS	M40x1.5	SW 43	8	33.0	Ø19-27
SUPERSEDED BY T3609320112-000 OR T3609320102-000	3-2		HUT .M32.MS	M32x1.5	SW 34	8	30.0	Ø14-21
SUPERSEDED BY T3609250112-0000 OR T3609250102-000	2-5		HUT .M25.MS	M25x1.5	SW 27	7	29.5	Ø11-16
SUPERSEDED BY T3609200112-000 OR T3609200102-000 OR T3609200122-000	2-0		HUT .M20.MS	M20x1.5	SW 22	6	27.5	Ø9-13
SUPERSEDED BY T3609160122-000	1-6		HUT .M16.MS	M16x1.5	SW 17	5	25.0	Ø5-9

PART NO.	DESCRIPTION	"A"	"B"	"E"	"D"	"RANGE"
DIMENSIONS						

THIS DRAWING IS A CONTROLLED DOCUMENT.		DWN H.BRAUN 20DEC2006	TE TE Connectivity			
DIMENSIONS: mm		CHK -				
TOLERANCES UNLESS OTHERWISE SPECIFIED: 0 PLC ± 1 PLC ± 2 PLC ± 3 PLC ± 4 PLC ± ANGLES ±°		APVD T.SCHNURPFEL 20DEC2006	ASS'Y CABLE GLAND SERIES HUT-MS, METRIC			
MATERIAL - FINISH -		PRODUCT SPEC -				
WEIGHT -		APPLICATION SPEC -	SIZE A3	CAGE CODE 00779	DRAWING NO C-1102770	RESTRICTED TO -
CUSTOMER DRAWING			SCALE 5:1	SHEET 1 OF 1	REV A6	

X-ON Electronics

Largest Supplier of Electrical and Electronic Components

Click to view similar products for [Heavy Duty Power Connectors](#) category:

Click to view products by [TE Connectivity](#) manufacturer:

Other Similar products are found below :

[647757-1](#) [6643411-1](#) [6646058-2](#) [6646137-1](#) [6646138-1](#) [6646479-1](#) [6646608-1](#) [6646786-1](#) [6646940-1](#) [6651091-1](#) [6651525-1](#) [6651529-1](#)
[6651788-1](#) [696475-1](#) [702-32-01109](#) [703-25-02205](#) [73000005059](#) [73000005642](#) [73080255059](#) [73080965046](#) [765-15-0080A](#) [765-16-0080B](#)
[765-18-0080D](#) [829992-1](#) [902-77-02113](#) [PS00/A0620/6300](#) [PS25/A0420/63](#) [129-1J](#) [1409400](#) [AN0024023](#) [E6374G1](#) [e6389g2](#) [157-43GW8](#)
[MS3117-14AC](#) [1643543-1](#) [1650540-1](#) [1651811-2](#) [1766260-1](#) [1766282-1](#) [1766966-1](#) [1791340000](#) [NLDFT-3-BL-L-S120-M40A](#) [NLDFT-N-](#)
[W-L-C240-M40B](#) [NLS-2-R-C240-M40B](#) [NLS-N-W-C240-M40B](#) [NPS-3-BL-T6](#) [1986615-1](#) [2-1589900-8](#) [2199314-1](#) [KA8102](#)