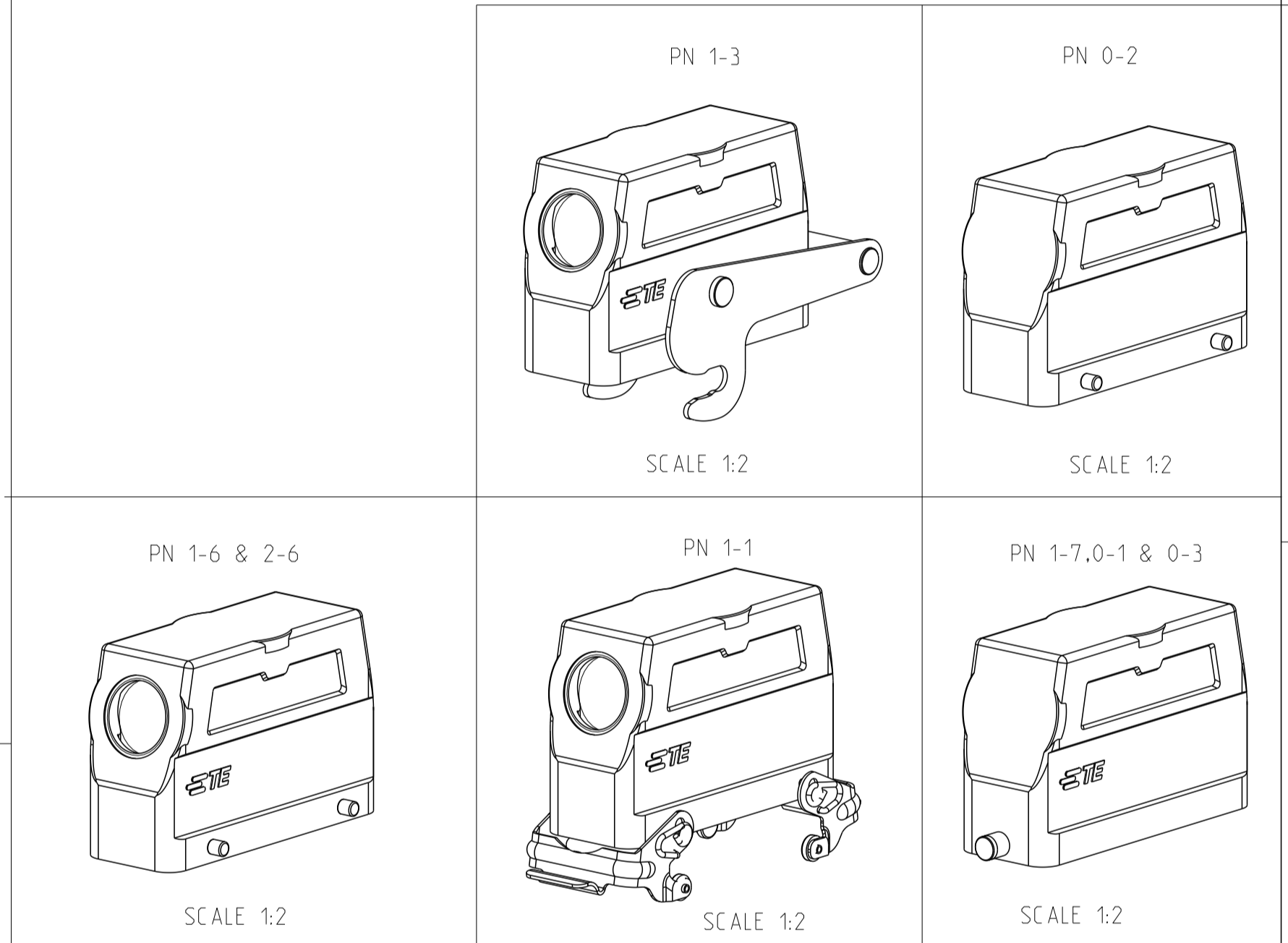


REVISIONS				
P.	LTH	DESCRIPTION	DATE	DMN APVD
A6	ECR-10-011573		09JUN2010	SR AR
A7	ECR-16-015318		19SEP2017	GR MKO

- NOTES.
- Material:Housing:Aluminium Diecasting Alloy
  - Surface-Varnish Grey  
-Aluminium Oxide +  
Varnish Black
  - Varnish on the inside not necessary
  - Packaging  
Quantity 5 Pieces in a box



QTY	ITEM NO	DESCRIPTION	MATERIAL	SURFACE	COLOR	ITEM NO	REMARKS
1	1	HD Hood	Aluminium		Grey	11	Without Logo / Drilling
1	1	HD Hood	Aluminium		Grey	10	Without PG-Thread / Without HTS-indication
1	1	ZB-Central clip	Stainless steel	Blank		9	
1	1	ZB-Central clip	Steel	Zinc plated	Blue	8	
1	2	LB-Clip bolt	Steel	Zinc plated	Blue	7	
1	2	VS-Side clip	Steel	Zinc plated	Blue	6	
1	4	VS-Clip bolt	Stainless steel	Blank		5	
1	4	VS-Clip bolt	Steel	Zinc plated	Blue	4	
1	1	HD Hood	Aluminium		Grey	3	Without PG-Thread
1	1	HD Hood	Aluminium	Aluminium oxide	Black	2	
1	1	HD Hood	Aluminium		Grey	1	

ORDERING TEXT  
 HD.64.STS.1.21.G  
 HD-K.64.STS.1.21.G  
 HD.64.STS-VS.1.21.G  
 HD.64.STS-GR.1.21.G  
 HD-Z.64.STS-ZB.1.21.G  
 HD-K/Z.64.STS-ZB.1.21.G  
 HD.64.ST+GR  
 HD.64.ST  
 HD.64.ST+GR  
 HD-Z.64.ST-ZB

THIS DRAWING IS A CONTROLLED DOCUMENT. DMN: Schneider 12.06.2001  
 CHK: Schwaiger 12.06.2001

**STE** TE Connectivity

NAME: Hood  
 HD.64.STS.1.21.G

PRODUCT SPEC: HD.64.STS.1.21.G  
 APPLICATION SPEC: HD.64.STS.1.21.G

SIZE: A1 CAGE CODE: 00779 DRAWING NO: 1103336 RESTRICTED TO: -  
 WEIGHT: - SCALE: 1:1 SHEET: 1 OF 1 REV: A7

## X-ON Electronics

Largest Supplier of Electrical and Electronic Components

*Click to view similar products for [Heavy Duty Power Connectors](#) category:*

*Click to view products by [TE Connectivity](#) manufacturer:*

Other Similar products are found below :

[647757-1](#) [6643411-1](#) [6646058-2](#) [6646137-1](#) [6646138-1](#) [6646479-1](#) [6646608-1](#) [6646786-1](#) [6646940-1](#) [6651091-1](#) [6651525-1](#) [6651529-1](#)  
[6651788-1](#) [696475-1](#) [702-32-01109](#) [703-25-02205](#) [73000005059](#) [73000005642](#) [73080255059](#) [73080965046](#) [765-15-0080A](#) [765-16-0080B](#)  
[765-18-0080D](#) [829992-1](#) [902-77-02113](#) [PS00/A0620/6300](#) [PS25/A0420/63](#) [129-1J](#) [1409400](#) [AN0024023](#) [E6374G1](#) [e6389g2](#) [157-43GW8](#)  
[MS3117-14AC](#) [1643543-1](#) [1650540-1](#) [1651811-2](#) [1766260-1](#) [1766282-1](#) [1766966-1](#) [1791340000](#) [NLDFT-3-BL-L-S120-M40A](#) [NLDFT-N-](#)  
[W-L-C240-M40B](#) [NLS-2-R-C240-M40B](#) [NLS-N-W-C240-M40B](#) [NPS-3-BL-T6](#) [1986615-1](#) [2-1589900-8](#) [2199314-1](#) [KA8102](#)