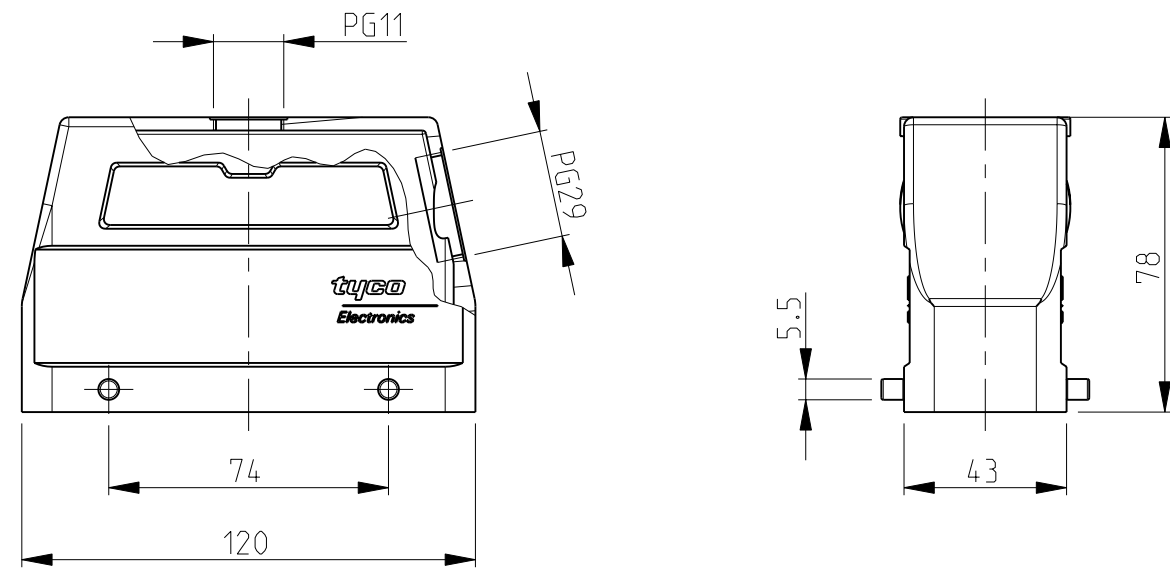


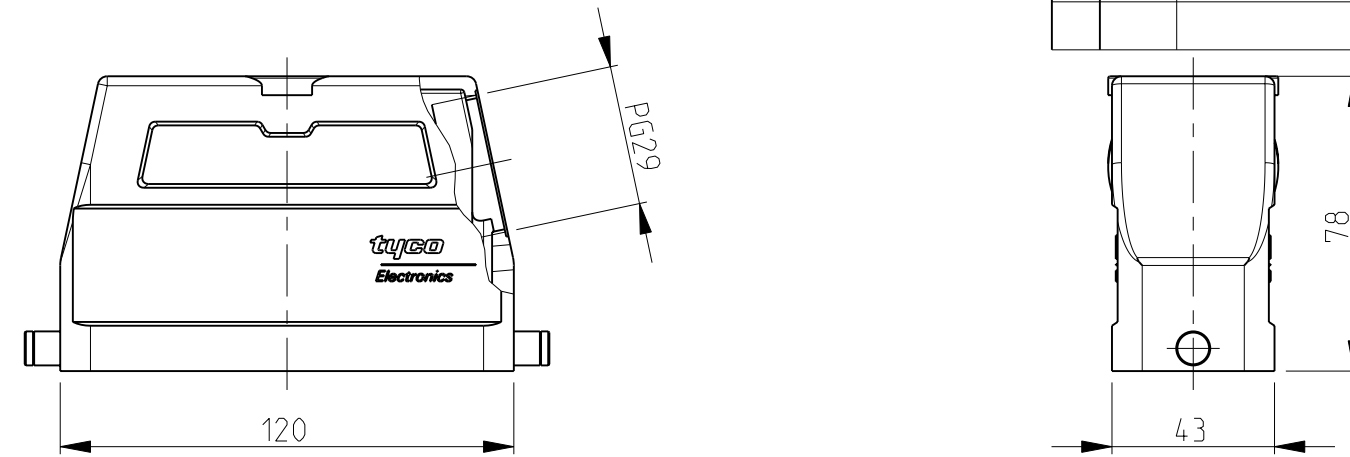
THIS DRAWING IS UNPUBLISHED. RELEASED FOR PUBLICATION 2006
 © COPYRIGHT 2006 BY TYCO ELECTRONICS CORPORATION. ALL INTERNATIONAL RIGHTS RESERVED.

LOC	DIST	REVISIONS			
P	LTR	DESCRIPTION	DATE	DWN	APVD
A1	-				

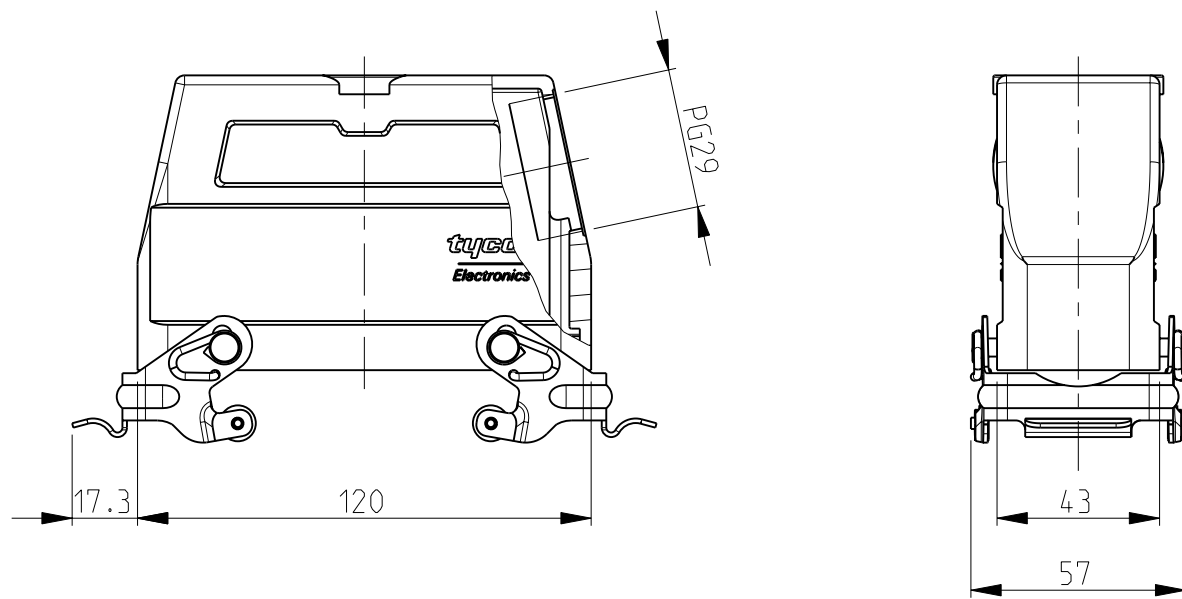
PN 3-6 AS SHOWN
 PN 1-6, 2-6 WITHOUT PG11.ST0



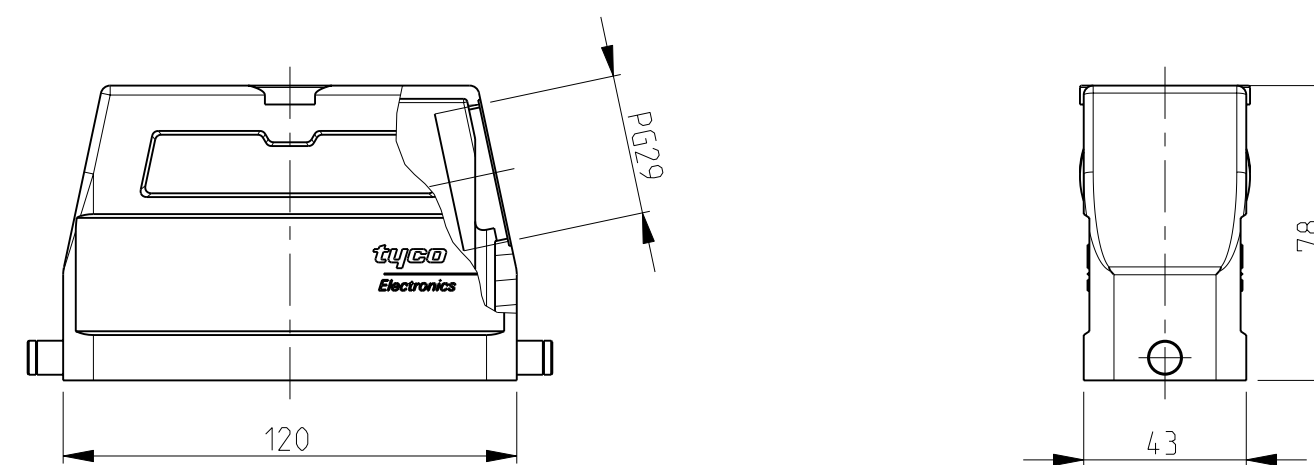
PN 2-7 AS SHOWN



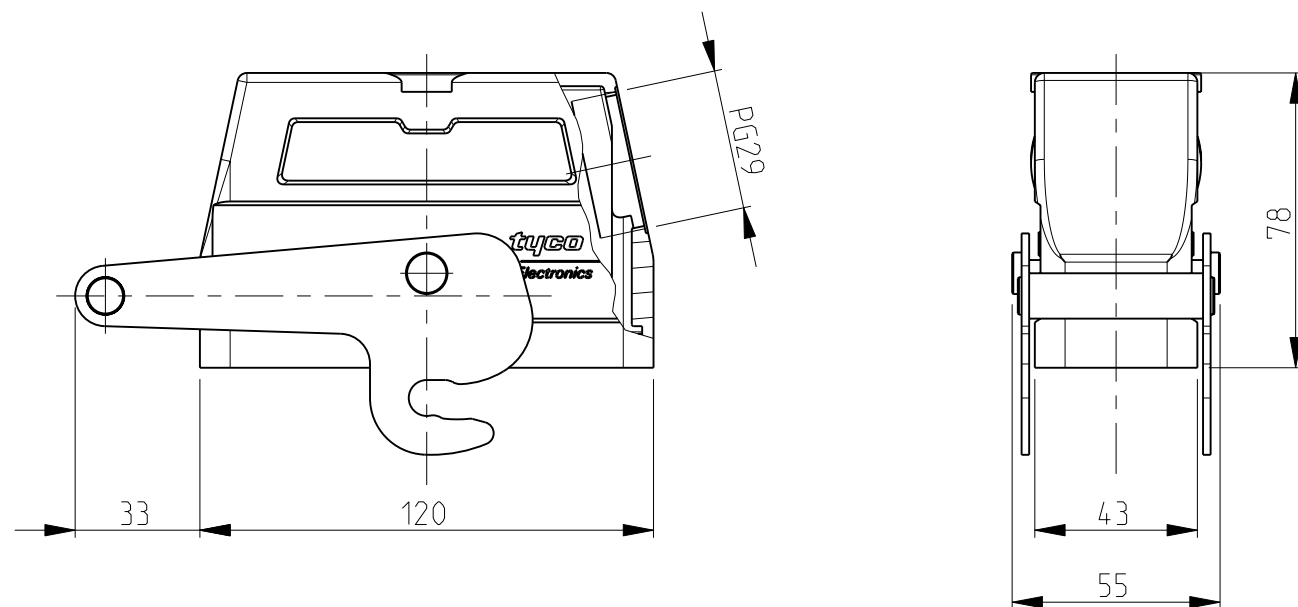
PN 1-1, 2-1 AS SHOWN



PN 1-7 AS SHOWN



PN 1-3, 2-3 AS SHOWN
 PN 0-1 WITHOUT LOGO



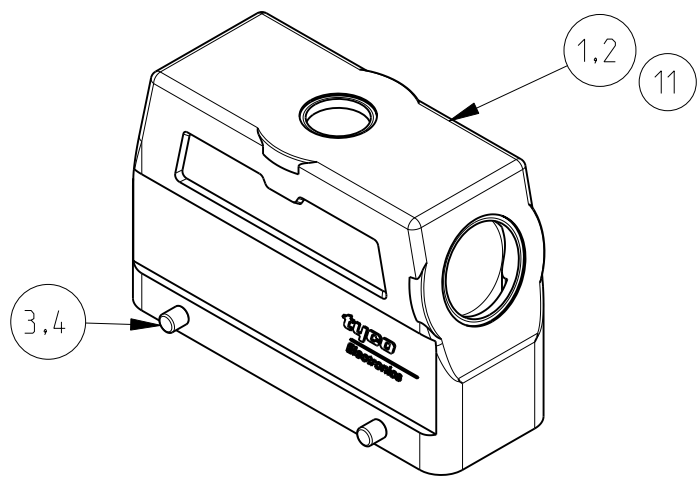
NOTES AND PART LIST SEE PAGE 2

THIS DRAWING IS A CONTROLLED DOCUMENT FOR TYCO ELECTRONICS CORPORATION IT IS SUBJECT TO CHANGE AND THE CONTROLLING ENGINEERING ORGANIZATION SHOULD BE CONTACTED FOR THE LATEST REVISION.		DWN G.WROBLEWSKI 26MAY2010	tyco Electronics AMP GmbH 53757 Sankt Augustin (Germany)	
DIMENSIONS: mm		CHK H.BRAUN 26MAY2010	NAME CONNECTOR HOUSING ASSY SERIES HD.64, STEEL CONDUIT THREAD	
TOLERANCES UNLESS OTHERWISE SPECIFIED: 0 PLC ± 1 PLC ± 2 PLC ± 3 PLC ± 4 PLC ± ANGLES ±° FINISH		APVD A.ROESGEN 26MAY2010	RESTRICTED TO	
MATERIAL		PRODUCT SPEC 108-74001 108-74003	SIZE A2	CAGE CODE 00779
		APPLICATION SPEC 114-74001 114-74004	DRAWING NO 1103338	
		WEIGHT -	SCALE 1:2	
		CUSTOMER DRAWING		SHEET 1 OF 2 REV. A6

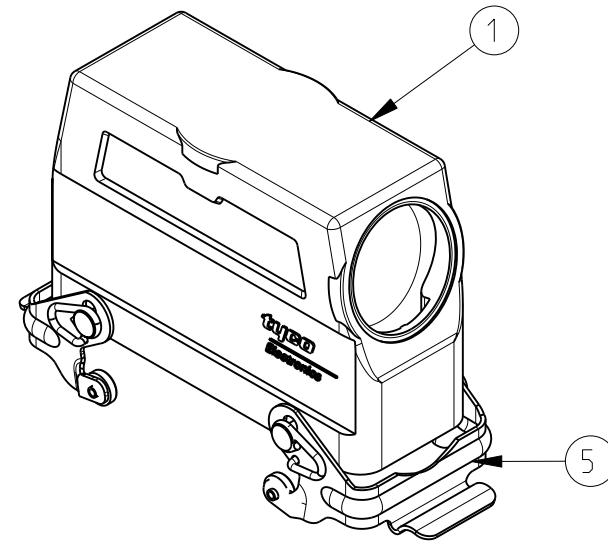
THIS DRAWING IS UNPUBLISHED. RELEASED FOR PUBLICATION 2006
 © COPYRIGHT 2006 BY TYCO ELECTRONICS CORPORATION. ALL INTERNATIONAL RIGHTS RESERVED.

LOC	DIST	REVISIONS			
P	LTR	DESCRIPTION	DATE	DWN	APVD
A1	-	SEE SHEET 1	-	-	-

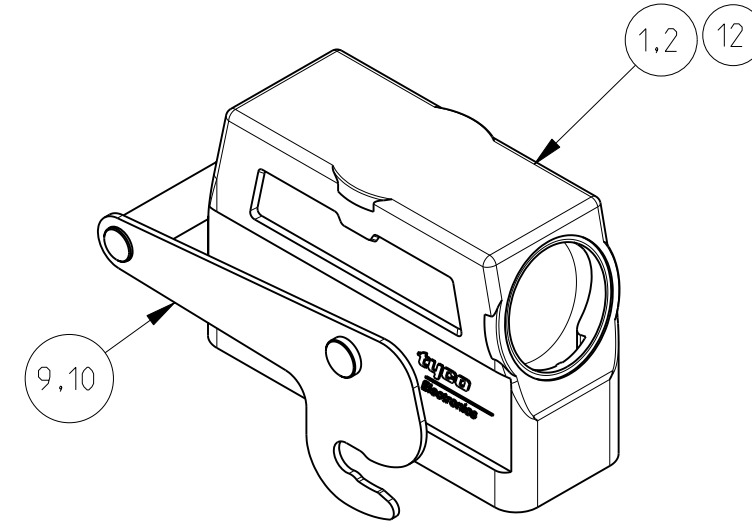
PN 3-6 AS SHOWN
PN 1-6, 2-6 WITHOUT PG11.STO



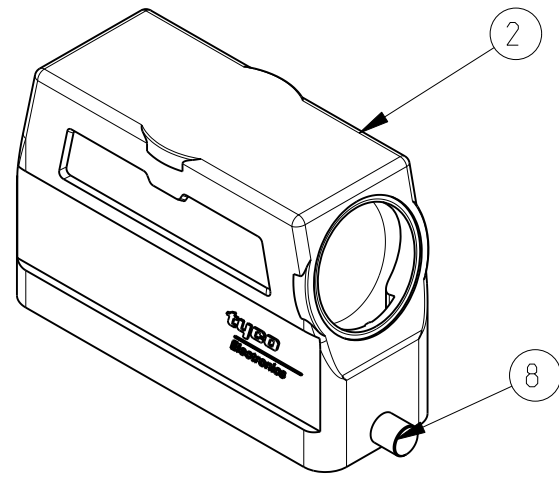
PN 1-1, 2-1 AS SHOWN



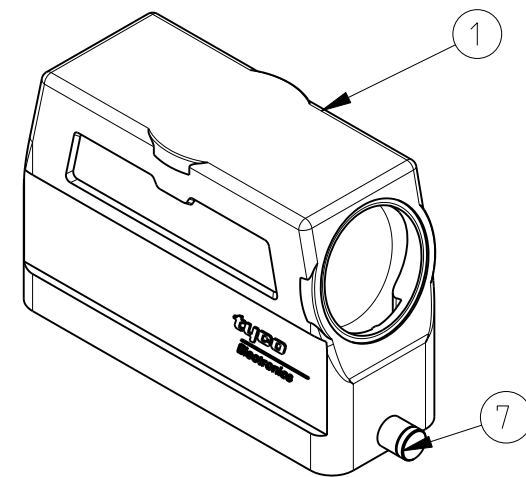
PN 1-3, 2-3 AS SHOWN
PN 0-1 WITHOUT LOGO



PN 2-7 AS SHOWN



PN 1-7 AS SHOWN



Notes

- 1 SUITABLE HOUSINGS: SERIES HD.64
- 2 VARNISH ON THE INSIDE NOT NECESSARY
- 3 STANDARDS:
DIN EN 61984, DIN EN 60664-1
- 4 PACKAGING:
QUANTITY: 5 PIECES IN A CARTON

0-1	3-6	2-3	1-3	2-7	1-7	2-1	1-1	2-6	1-6	DESCRIPTION	MATERIAL	SURFACE	COLOR	ITEM NO	REMARKS
										HD Hood	Aluminium		Grey	12	Without TE-indication
										HD-K Hood	Aluminium	Aluminium oxide	Black	11	Additional STO.1.11G
			1							ZB-Central clip bolt	Stainless steel			10	
										ZB-Central clip bolt	Steel	Zinc plated	Blue	9	
				2						LB-Clip bolt	Stainless steel			8	
					2					LB-Clip bolt	Steel	Zinc plated	Blue	7	
						2				VS-Locking clip	Stainless steel			6	
							2			VS-Locking clip	Steel	Zinc plated	Blue	5	
4								4		VS-Clip bolt	Stainless steel			4	
									4	VS-Clip bolt	Steel	Zinc plated	Blue	3	
		1	1	1	1	1	1	1		HD-K Hood	Aluminium	Aluminium oxide	Black	2	
										HD Hood	Aluminium		Grey	1	
ORDERING TEXT															
HD.64.STS.1.29.G															
HD-K.64.STS.1.29.G															
HD.64.STS-VS.1.29.G															
HD-K.64.STS-VS.1.29.G															
HD.64.STS-GR.1.29.G															
HD-K.64.STS-GR.1.29.G															
HD-Z.64.STS-ZB.1.29.G															
HD-K/Z.64.STS-ZB.1.29.G															
HD-K.64.STS.1.29.G+STO.1.11.G															
HD-Z.64.STS-ZB.1.29.G															

THIS DRAWING IS A CONTROLLED DOCUMENT FOR TYCO ELECTRONICS CORPORATION IT IS SUBJECT TO CHANGE AND THE CONTROLLING ENGINEERING ORGANIZATION SHOULD BE CONTACTED FOR THE LATEST REVISION.		DWN G.WROBLEWSKI 26MAY2010	Tyco Electronics tyco Electronics AMP GmbH 53757 Sankt Augustin (Germany)	
DIMENSIONS: mm		CHK A.ROESGEN 26MAY2010	NAME CONNECTOR HOUSING ASSY SERIES HD.64, STEEL CONDUIT THREAD	
TOLERANCES UNLESS OTHERWISE SPECIFIED: 0 PLC ± 1 PLC ± 2 PLC ± 3 PLC ± 4 PLC ± ANGLES ±°		APVD H.BRAUN 26MAY2010	PRODUCT SPEC SEE SHEET 1	
MATERIAL		FINISH	APPLICATION SPEC SEE SHEET 1	RESTRICTED TO
-		-	WEIGHT -	SIZE A2
-		-	CAGE CODE 00779	DRAWING NO 1103338
-		-	SCALE 1:2	SHEET 2 OF 2
-		-	CUSTOMER DRAWING	REV A6

X-ON Electronics

Largest Supplier of Electrical and Electronic Components

Click to view similar products for [Heavy Duty Power Connectors](#) category:

Click to view products by [TE Connectivity](#) manufacturer:

Other Similar products are found below :

[647757-1](#) [6643411-1](#) [6646058-2](#) [6646137-1](#) [6646138-1](#) [6646479-1](#) [6646608-1](#) [6646786-1](#) [6646940-1](#) [6651091-1](#) [6651525-1](#) [6651529-1](#)
[6651788-1](#) [696475-1](#) [702-32-01109](#) [703-25-02205](#) [73000005059](#) [73000005642](#) [73080255059](#) [73080965046](#) [765-15-0080A](#) [765-16-0080B](#)
[765-18-0080D](#) [829992-1](#) [902-77-02113](#) [PS00/A0620/6300](#) [PS25/A0420/63](#) [129-1J](#) [1409400](#) [AN0024023](#) [E6374G1](#) [e6389g2](#) [157-43GW8](#)
[MS3117-14AC](#) [1643543-1](#) [1650540-1](#) [1651811-2](#) [1766260-1](#) [1766282-1](#) [1766966-1](#) [1791340000](#) [NLDFT-3-BL-L-S120-M40A](#) [NLDFT-N-](#)
[W-L-C240-M40B](#) [NLS-2-R-C240-M40B](#) [NLS-N-W-C240-M40B](#) [NPS-3-BL-T6](#) [1986615-1](#) [2-1589900-8](#) [2199314-1](#) [KA8102](#)