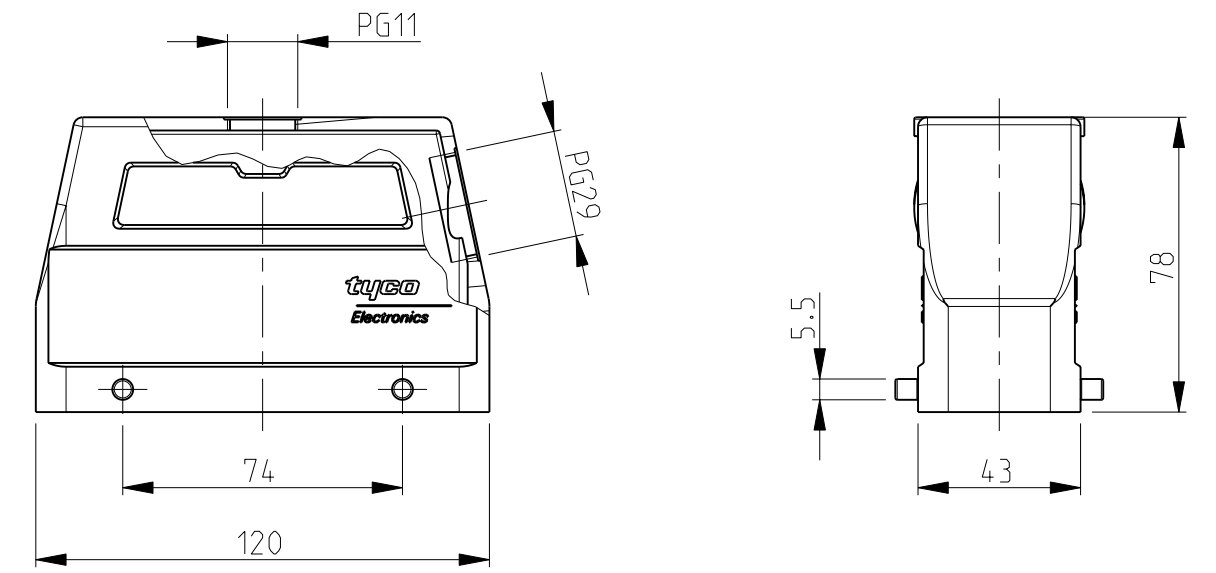


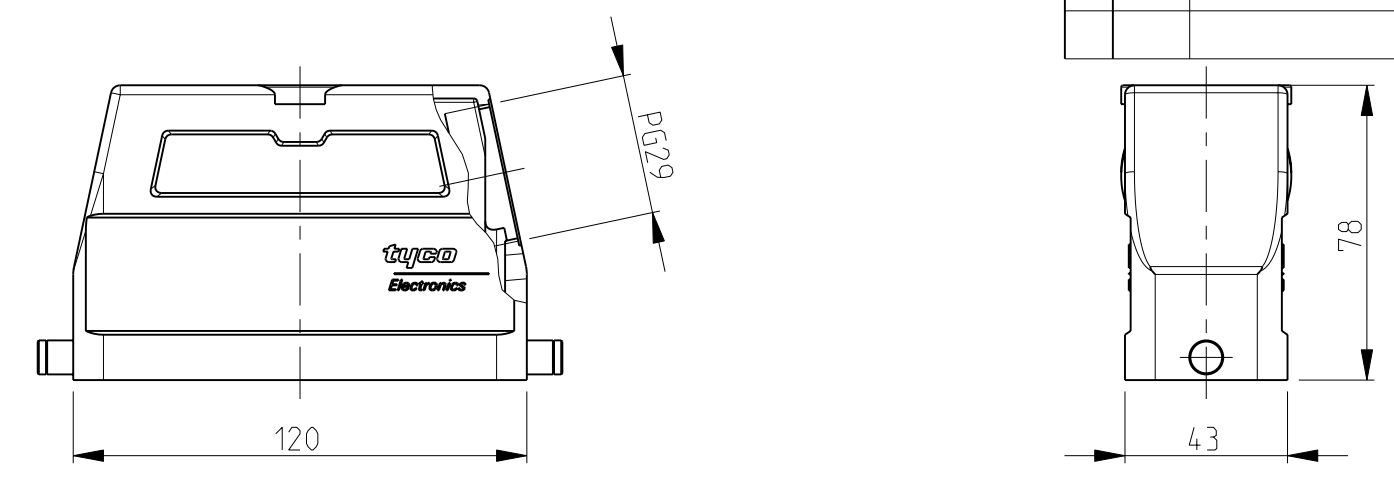
THIS DRAWING IS UNPUBLISHED. RELEASED FOR PUBLICATION 2006  
 © COPYRIGHT 2006 BY TYCO ELECTRONICS CORPORATION. ALL INTERNATIONAL RIGHTS RESERVED.

| LOC | DIST | REVISIONS     |           |     |      |
|-----|------|---------------|-----------|-----|------|
| P   | LTR  | DESCRIPTION   | DATE      | DWN | APVD |
| A   | I    | -             |           |     |      |
|     | A6   | ECR-09-020851 | 26MAY2010 | GW  | BR   |

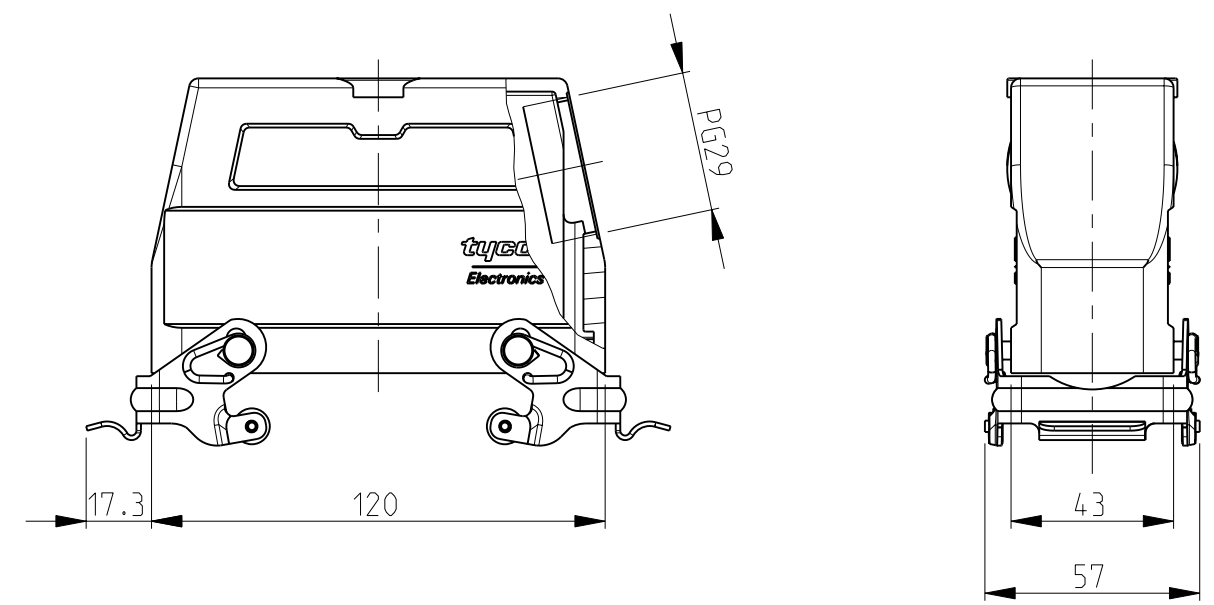
PN 3-6 AS SHOWN  
 PN 1-6, 2-6 WITHOUT PG11.ST0



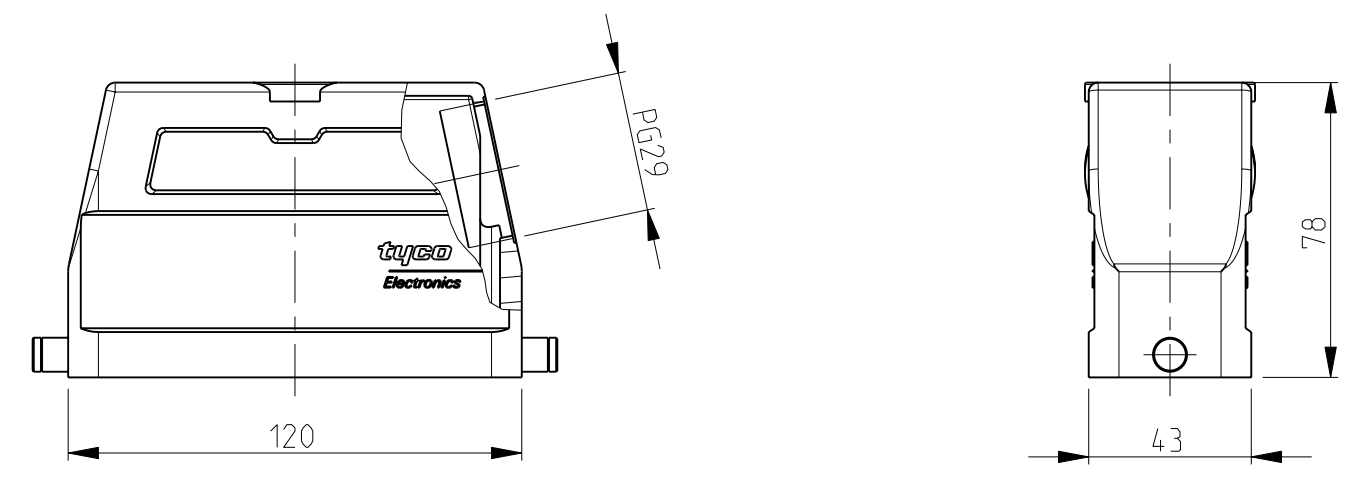
PN 2-7 AS SHOWN



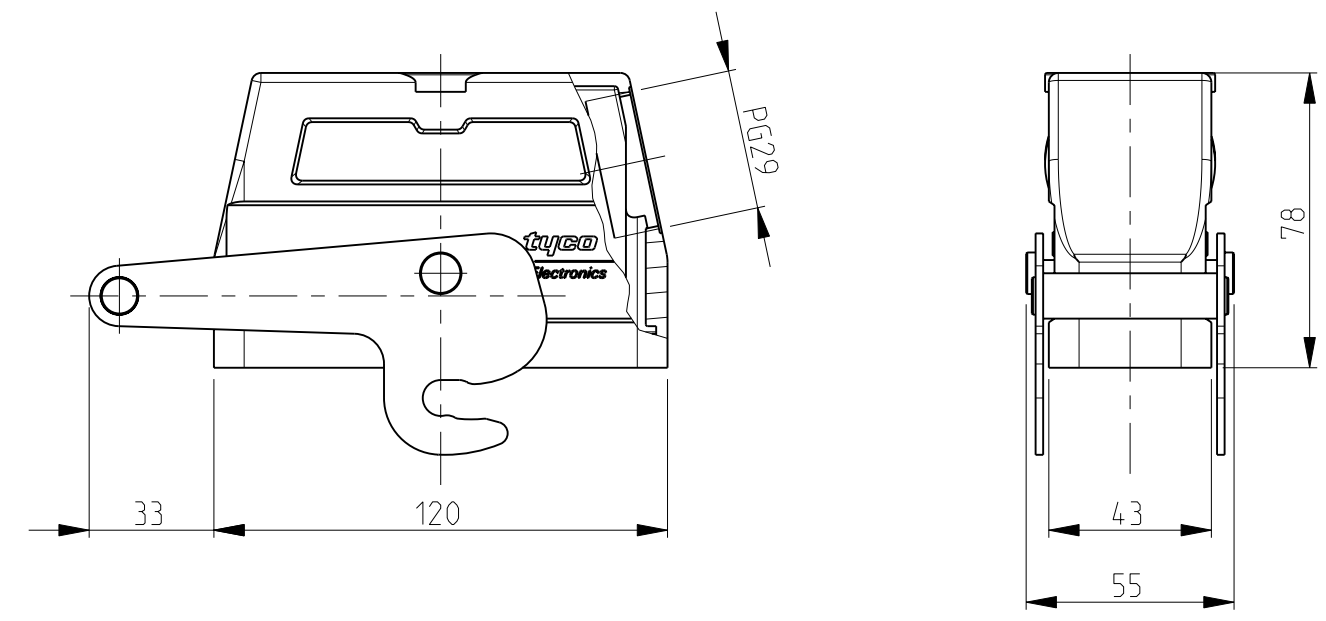
PN 1-1, 2-1 AS SHOWN



PN 1-7 AS SHOWN



PN 1-3, 2-3 AS SHOWN  
 PN 0-1 WITHOUT LOGO



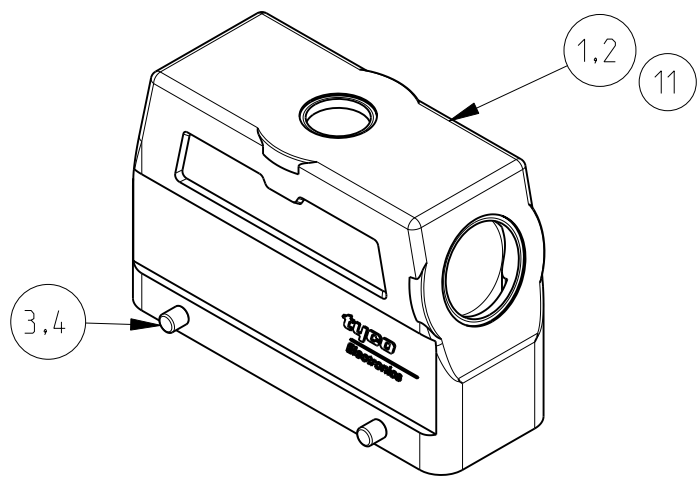
NOTES AND PART LIST SEE PAGE 2

|  |  |  |  |                    |
|--|--|--|--|--------------------|
| THIS DRAWING IS A CONTROLLED DOCUMENT FOR TYCO ELECTRONICS CORPORATION IT IS SUBJECT TO CHANGE AND THE CONTROLLING ENGINEERING ORGANIZATION SHOULD BE CONTACTED FOR THE LATEST REVISION. |  | DWN<br>G.WROBLEWSKI<br>26MAY2010           | tyco Electronics AMP GmbH<br>53757 Sankt Augustin (Germany)          |                    |
| DIMENSIONS:<br>mm  |  | CHK<br>H.BRAUN<br>26MAY2010                | NAME<br>CONNECTOR HOUSING ASSY<br>SERIES HD.64, STEEL CONDUIT THREAD |                    |
| TOLERANCES UNLESS OTHERWISE SPECIFIED:<br>0 PLC ±<br>1 PLC ±<br>2 PLC ±<br>3 PLC ±<br>4 PLC ±<br>ANGLES ±°<br>FINISH   |  | APVD<br>A.ROESGEN<br>26MAY2010             | RESTRICTED TO  |                    |
| MATERIAL   |  | PRODUCT SPEC<br>108-74001<br>108-74003     | SIZE<br>A2   | CAGE CODE<br>00779 |
|  |  | APPLICATION SPEC<br>114-74001<br>114-74004 | DRAWING NO<br>C=1103338  |                    |
|  |  | WEIGHT                                     | SCALE 1:2  |                    |
|  |  | CUSTOMER DRAWING                           |  | SHEET 1 OF 2       |
|  |  |  |  | REV. A6            |

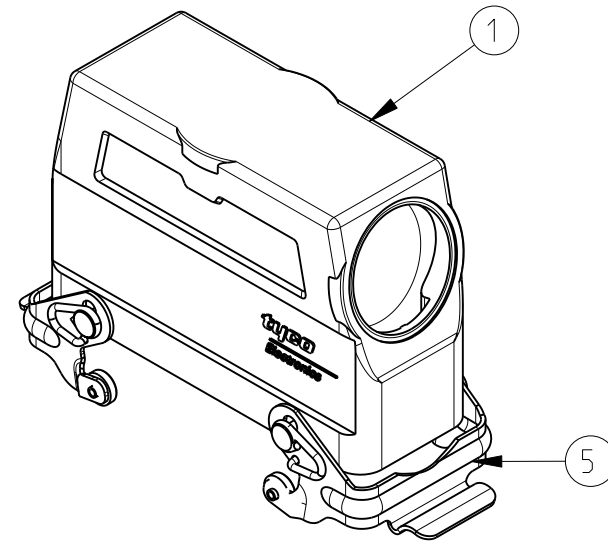
THIS DRAWING IS UNPUBLISHED. RELEASED FOR PUBLICATION 2006  
 © COPYRIGHT 2006 BY TYCO ELECTRONICS CORPORATION. ALL INTERNATIONAL RIGHTS RESERVED.

| LOC | DIST | REVISIONS   |      |     |      |
|-----|------|-------------|------|-----|------|
| P   | LTR  | DESCRIPTION | DATE | DWN | APVD |
| A1  | -    | SEE SHEET 1 | -    | -   | -    |

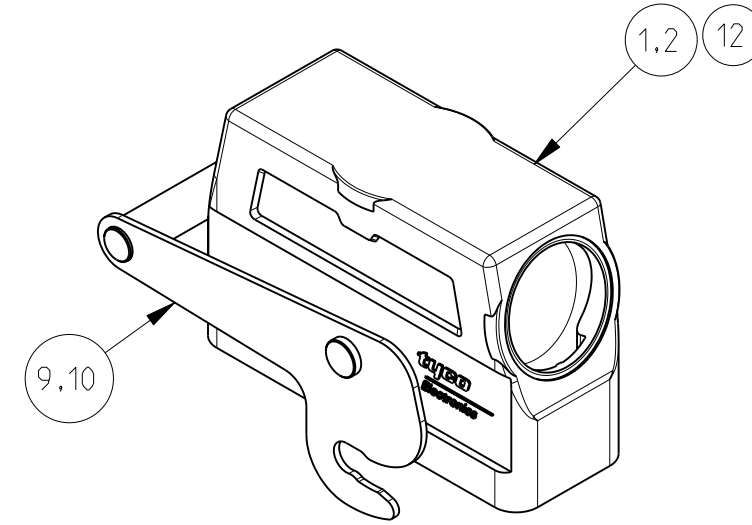
PN 3-6 AS SHOWN  
PN 1-6, 2-6 WITHOUT PG11.STO



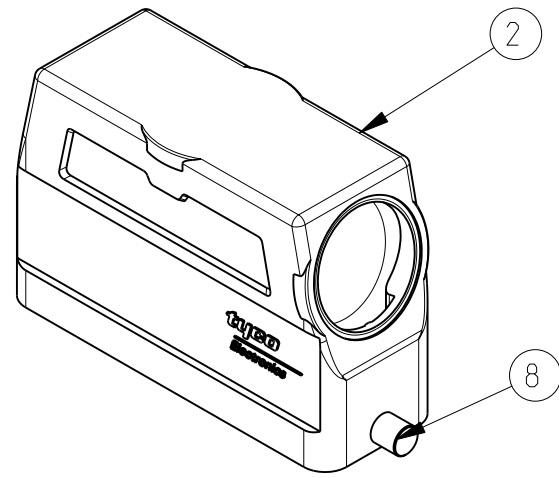
PN 1-1, 2-1 AS SHOWN



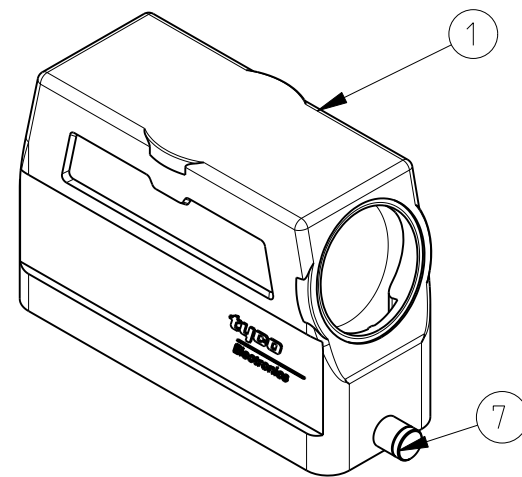
PN 1-3, 2-3 AS SHOWN  
PN 0-1 WITHOUT LOGO



PN 2-7 AS SHOWN



PN 1-7 AS SHOWN



Notes

- 1 SUITABLE HOUSINGS: SERIES HD.64
- 2 VARNISH ON THE INSIDE NOT NECESSARY
- 3 STANDARDS: DIN EN 61984, DIN EN 60664-1
- 4 PACKAGING: QUANTITY: 5 PIECES IN A CARTON

| 0-1 | 3-6 | 2-3 | 1-3 | 2-7 | 1-7 | 2-1 | 1-1 | 2-6 | 1-6 | DESCRIPTION          | MATERIAL        | SURFACE         | COLOR | ITEM NO | REMARKS               |
|-----|-----|-----|-----|-----|-----|-----|-----|-----|-----|----------------------|-----------------|-----------------|-------|---------|-----------------------|
|     |     |     |     |     |     |     |     |     |     | HD Hood              | Aluminium       |                 | Grey  | 12      | Without TE-indication |
|     |     |     |     |     |     |     |     |     |     | HD-K Hood            | Aluminium       | Aluminium oxide | Black | 11      | Additional STO.1.11G  |
|     |     |     | 1   |     |     |     |     |     |     | ZB-Central clip bolt | Stainless steel |                 |       | 10      |                       |
|     |     |     |     |     |     |     |     |     |     | ZB-Central clip bolt | Steel           | Zinc plated     | Blue  | 9       |                       |
|     |     |     |     | 2   |     |     |     |     |     | LB-Clip bolt         | Stainless steel |                 |       | 8       |                       |
|     |     |     |     |     | 2   |     |     |     |     | LB-Clip bolt         | Steel           | Zinc plated     | Blue  | 7       |                       |
|     |     |     |     |     |     | 2   |     |     |     | VS-Locking clip      | Stainless steel |                 |       | 6       |                       |
|     |     |     |     |     |     |     | 2   |     |     | VS-Locking clip      | Steel           | Zinc plated     | Blue  | 5       |                       |
| 4   |     |     |     |     |     |     |     | 4   |     | VS-Clip bolt         | Stainless steel |                 |       | 4       |                       |
|     |     |     |     |     |     |     |     |     | 4   | VS-Clip bolt         | Steel           | Zinc plated     | Blue  | 3       |                       |
|     |     | 1   | 1   | 1   | 1   | 1   | 1   | 1   | 1   | HD-K Hood            | Aluminium       | Aluminium oxide | Black | 2       |                       |
|     |     |     |     |     |     |     |     |     |     | HD Hood              | Aluminium       |                 | Grey  | 1       |                       |

ORDERING TEXT  
 HD.64.STS.1.29.G  
 HD-K.64.STS.1.29.G  
 HD.64.STS-VS.1.29.G  
 HD-K.64.STS-VS.1.29.G  
 HD.64.STS-GR.1.29.G  
 HD-K.64.STS-GR.1.29.G  
 HD-Z.64.STS-ZB.1.29.G  
 HD-K/Z.64.STS-ZB.1.29.G  
 HD-K.64.STS.1.29.G+STO.1.11.G  
 HD-Z.64.STS-ZB.1.29.G

|  |  |                                  |   |                    |
|--|--|----------------------------------|---|--------------------|
| THIS DRAWING IS A CONTROLLED DOCUMENT FOR TYCO ELECTRONICS CORPORATION IT IS SUBJECT TO CHANGE AND THE CONTROLLING ENGINEERING ORGANIZATION SHOULD BE CONTACTED FOR THE LATEST REVISION. |  | DWN<br>G.WROBLEWSKI<br>26MAY2010 | Tyco Electronics<br>tyco Electronics AMP GmbH<br>53757 Sankt Augustin (Germany) |                    |
| DIMENSIONS:<br>mm  |  | CHK<br>A.ROESGEN<br>26MAY2010    | NAME<br>CONNECTOR HOUSING ASSY<br>SERIES HD.64, STEEL CONDUIT THREAD            |                    |
| TOLERANCES UNLESS OTHERWISE SPECIFIED:<br>0 PLC ±<br>1 PLC ±<br>2 PLC ±<br>3 PLC ±<br>4 PLC ±<br>ANGLES ±°   |  | APVD<br>H.BRAUN<br>26MAY2010     | RESTRICTED TO   |                    |
| MATERIAL   |  | PRODUCT SPEC<br>SEE SHEET 1      | SIZE<br>A2  | CAGE CODE<br>00779 |
|  |  | APPLICATION SPEC<br>SEE SHEET 1  | DRAWING NO<br>1103338   | REV<br>A6          |
|  |  | WEIGHT<br>-                      | SCALE<br>1:2  | SHEET 2 OF 2       |
|  |  | CUSTOMER DRAWING                 |   |                    |

## X-ON Electronics

Largest Supplier of Electrical and Electronic Components

*Click to view similar products for [Heavy Duty Power Connectors](#) category:*

*Click to view products by [TE Connectivity](#) manufacturer:*

Other Similar products are found below :

[647757-1](#) [6643411-1](#) [6646058-2](#) [6646137-1](#) [6646138-1](#) [6646479-1](#) [6646608-1](#) [6646786-1](#) [6646940-1](#) [6651091-1](#) [6651525-1](#) [6651529-1](#)  
[6651788-1](#) [696475-1](#) [702-32-01109](#) [703-25-02205](#) [73000005059](#) [73000005642](#) [73080255059](#) [73080965046](#) [765-15-0080A](#) [765-16-0080B](#)  
[765-18-0080D](#) [829992-1](#) [902-77-02113](#) [PS00/A0620/6300](#) [PS25/A0420/63](#) [129-1J](#) [1409400](#) [AN0024023](#) [E6374G1](#) [e6389g2](#) [157-43GW8](#)  
[MS3117-14AC](#) [1643543-1](#) [1650540-1](#) [1651811-2](#) [1766260-1](#) [1766282-1](#) [1766966-1](#) [1791340000](#) [NLDFT-3-BL-L-S120-M40A](#) [NLDFT-N-](#)  
[W-L-C240-M40B](#) [NLS-2-R-C240-M40B](#) [NLS-N-W-C240-M40B](#) [NPS-3-BL-T6](#) [1986615-1](#) [2-1589900-8](#) [2199314-1](#) [KA8102](#)