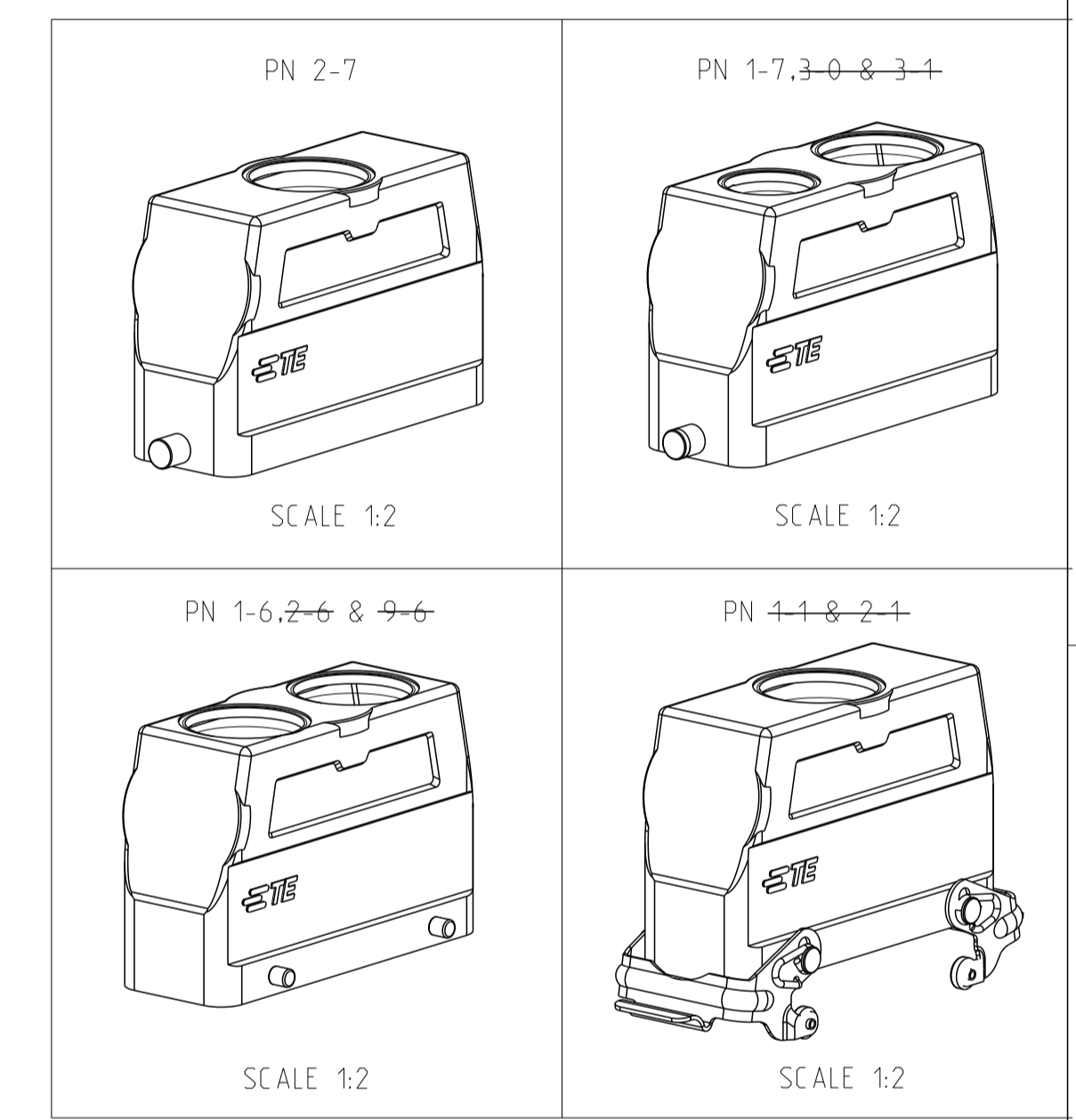


REVISIONS				
P.	LTM	DESCRIPTION	DATE	DMN APVD
A5		Released as per ECR-07-030424	17.12.07	SP TS
A6		ECR-16-016780	26SEP2017	GR MKO

- NOTES.
- Material:Housing:Aluminium Diecasting Alloy
 - Surface:Varnish grey
 - Varnish on the inside not necessary
 - Packaging Quantity 5 Pieces in a box



QTY	DESCRIPTION	MATERIAL	SURFACE	COLOR	ITEM NO	REMARKS
2	LB-Side clip	Stainless steel	-	Blue	10	
2	LB-Side clip	Steel	Zinc plated	Blue	9	
2	VS-Locking clip	Stainless steel	-	Blue	8	
2	VS-Locking clip	Steel	Zinc plated	Blue	7	
4	VS-Clip bolt	Stainless steel	-	Blue	6	
4	VS-Clip bolt	Steel	Zinc plated	Blue	5	
1	Hood HD.64.Pg.1.21+1.29	Aluminium	-	Grey	4	
1	Hood HD.64.Pg.1.29	Aluminium	-	Grey	3	
1	Hood HD.64.Pg.1.29	Aluminium	Aluminium oxide	Black	2	
1	Hood HD.64.Pg.1.29	Aluminium	-	Grey	1	

ORDERING TEXT
 HD.64.STO.1.29.G
 HD-K.64.STO.1.29.G
 HD.64.STO.VS.1.29.G
 HD-K.64.STO.VS.1.29.G
 HD.64.STO-GR.1.29.G
 HD-K.64.STO-GR.1.29.G
 HD.64.STO-GR.2.29.G-SO
 HD.64.STO-GR.1.21.G+1.29.G-SO
 HD.64.STO.2.29.G-SO

THIS DRAWING IS A CONTROLLED DOCUMENT. DMN Schneider 08.12.1998
 CHK Schneider 08.12.1998

STE TE Connectivity

NAME Hood
 HD.64.STO.1.29.G

PRODUCT SPEC
 APPLICATION SPEC

SIZE A1 CAGE CODE 00779 DRAWING NO C=1103344 RESTRICTED TO -
 SCALE 1:1 SHEET 1 OF 1 REV A6

X-ON Electronics

Largest Supplier of Electrical and Electronic Components

Click to view similar products for [Heavy Duty Power Connectors](#) category:

Click to view products by [TE Connectivity](#) manufacturer:

Other Similar products are found below :

[647757-1](#) [6643411-1](#) [6646058-2](#) [6646137-1](#) [6646138-1](#) [6646479-1](#) [6646608-1](#) [6646786-1](#) [6646940-1](#) [6651091-1](#) [6651525-1](#) [6651529-1](#)
[6651788-1](#) [696475-1](#) [702-32-01109](#) [703-25-02205](#) [73000005059](#) [73000005642](#) [73080255059](#) [73080965046](#) [765-15-0080A](#) [765-16-0080B](#)
[765-18-0080D](#) [829992-1](#) [902-77-02113](#) [PS00/A0620/6300](#) [PS25/A0420/63](#) [129-1J](#) [1409400](#) [AN0024023](#) [E6374G1](#) [e6389g2](#) [157-43GW8](#)
[MS3117-14AC](#) [1643543-1](#) [1650540-1](#) [1651811-2](#) [1766260-1](#) [1766282-1](#) [1766966-1](#) [1791340000](#) [NLDFT-3-BL-L-S120-M40A](#) [NLDFT-N-](#)
[W-L-C240-M40B](#) [NLS-2-R-C240-M40B](#) [NLS-N-W-C240-M40B](#) [NPS-3-BL-T6](#) [1986615-1](#) [2-1589900-8](#) [2199314-1](#) [KA8102](#)