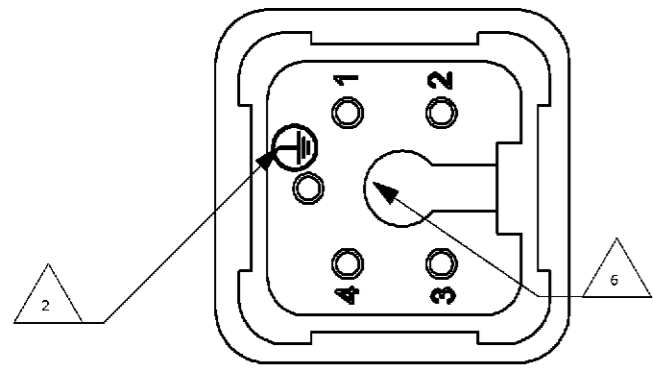


LOC	DIST	REVISIONS ÄNDERUNGEN					
AI	-	P	LTR	DESCRIPTION BESCHREIBUNG	DATE	DWN	APVD
PROJECT NR.	C2	ECR-16-009336			08FEB2017	GCM	MKO

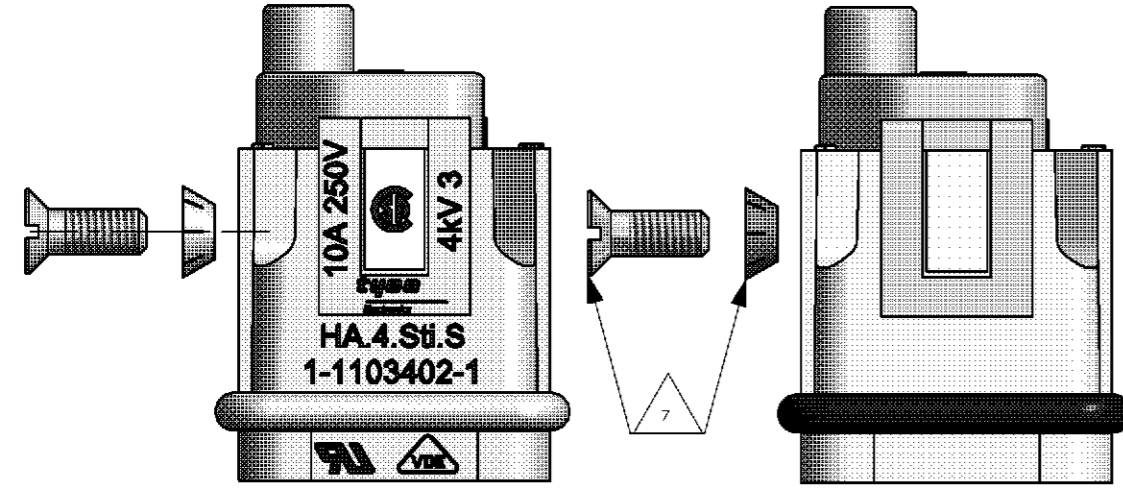
### NOTES

- 1 CONTACT: 1 TO 4  
SUITABLE SCREW CONTACTS: SERIES HA.3  
OUTER DIMENSIONS OF INSULATION: MAX. Ø3,4 MM
- 2 GROUNDING CONTACT:  
SUITABLE SCREW CONTACTS: SERIES HA.4  
OUTER DIMENSIONS OF INSULATION: MAX. Ø3,4 MM
- 3 SUITABLE HOOD SIZE 1: SERIES HA; HD; EMV AND HIP
- 4 SUITABLE INSERTION AND EXTRACTION TOOL:  
SCREWDRIVER 2,0x65
- 5 STANDARDS:  
DIN EN 61984; DIN EN 60664-1
- 6 POLARIZATION RIPS
- 7 POS. 8 AND POS.9 PACKED SEPARATE IN POLY BAG
- 8 AUTHORIZATION: UL; CSA; VDE; SEV
- 9 PACKAGING:  
10 SETS IN A CARTON, PRE-MOUNTED

CONTACT ARRANGEMENT  
VIEW FROM CONNECTING SIDE



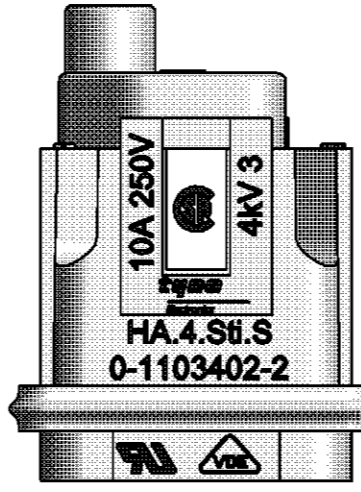
LATERAL PRINT  
PN 1-1



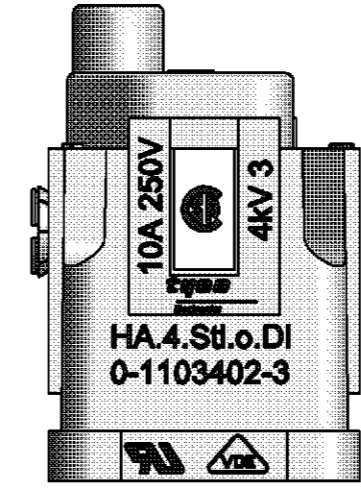
LATERAL PRINT  
PN 0-1



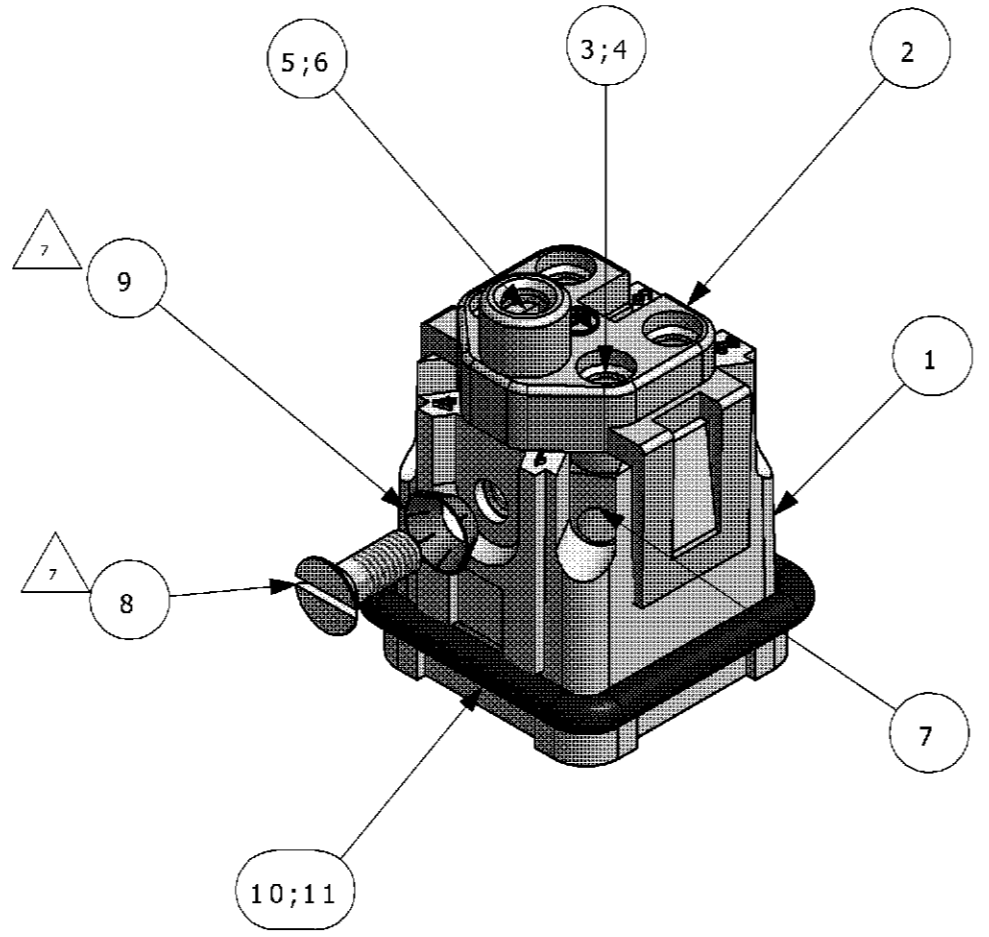
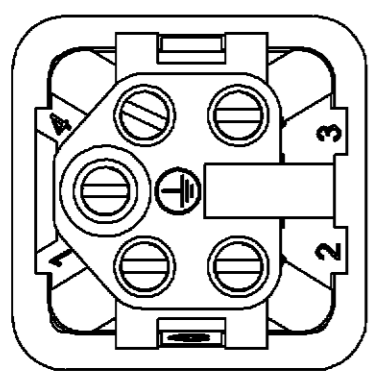
LATERAL PRINT  
PN 0-2



LATERAL PRINT  
PN 0-3



CONTACT ARRANGEMENT  
VIEW FROM TERMINATION SIDE



OBSOLETE	OBSOLETE	OBSOLETE												
			1		PROFILE SEAL	NEOPRENE		BLACK	11	CONDUCTIV				
			1	1	PROFILE SEAL	NEOPRENE		BLACK	10					
			1	1	1	SPRING WASHER	STEEL	ZINK PLATED	9	V3.2				
			1	1	1	SLOTTED COUNTER FLAT HEAD SCREW	STEEL	ZINK PLATED	8	M3x8				
			5	5	5	5	SLOTTED CHEESE HEAD SCREW	BRASS	NICKEL PLATED	7	M3x5.5			
				1		EARTING CONTACT PIN WITH ANGLE	BRASS	GOLD PLATED		6				
			1	1	1	EARTING CONTACT SOCKET WITH ANGLE	BRASS	SILVER PLATED		5				
				4		CONTACT SOCKET	BRASS	GOLD PLATED		4				
			4	4	4	CONTACT SOCKET	BRASS	SILVER PLATED		3				
			1	1	1	COVER	PC		BEIGE	2				
			1	1	1	MALE INSERT	PC		BEIGE	1				
			0-3	0-2	0-1	1-1	DESCRIPTION	MATERIAL	SURFACE	COLOR	ITEM	NOTES		
							HA.4.Sti.S							
							HA.4.Sti.S-AU							
							HA.4.Sti.S							
							HA.4.Sti.S.o.Di							

THIS DRAWING IS A CONTROLLED DOCUMENT FOR AMP INCORPORATED. IT IS SUBJECT TO CHANGE AND THE CONTROLLING ENGINEERING ORGANIZATION SHOULD BE CONTACTED FOR THE LATEST REVISION. DIESSES ZEICHNUNG WIRD DURCH AMP INCORPORATED KONTROLLIERT. ÄNDERUNGEN, DIE DEM TECHNISCHEN FORTSCHRITT DIENTEN, SIND VORBEHALTEN. DEN TUNGLICH LETZTGESETZTEN STANDS ENTSPRECHENDE ANPASSUNGEN SIND ANGEFÜHRT.

DWN H.BRAUN 29.07.1997  
CHK SCHWEIGER 29.07.1997  
APVD T.SCHNURPFEL 27.03.2006

NAME MALE INSERT  
HA.4.STI.S

PRODUCT SPEC. 108-74008  
APPLICATION SPEC. 114-74010

WEIGHT 0,0012 KG  
SCALE 1:1

DRAWING NO. 1103402  
SHEET 1 OF 1

CUSTOMER DRAWING / KUNDENZEICHNUNG

RESTRICTED TO NUR FÜR

REV. C2

## X-ON Electronics

Largest Supplier of Electrical and Electronic Components

*Click to view similar products for [Heavy Duty Power Connectors](#) category:*

*Click to view products by [TE Connectivity](#) manufacturer:*

Other Similar products are found below :

[647757-1](#) [6643411-1](#) [6646058-2](#) [6646137-1](#) [6646138-1](#) [6646479-1](#) [6646608-1](#) [6646786-1](#) [6646940-1](#) [6651091-1](#) [6651525-1](#) [6651529-1](#)  
[6651788-1](#) [696475-1](#) [702-32-01109](#) [703-25-02205](#) [73000005059](#) [73000005642](#) [73080255059](#) [73080965046](#) [765-15-0080A](#) [765-16-0080B](#)  
[765-18-0080D](#) [829992-1](#) [902-77-02113](#) [PS00/A0620/6300](#) [PS25/A0420/63](#) [129-1J](#) [1409400](#) [AN0024023](#) [E6374G1](#) [e6389g2](#) [157-43GW8](#)  
[MS3117-14AC](#) [1643543-1](#) [1650540-1](#) [1651811-2](#) [1766260-1](#) [1766282-1](#) [1766966-1](#) [1791340000](#) [NLDFT-3-BL-L-S120-M40A](#) [NLDFT-N-](#)  
[W-L-C240-M40B](#) [NLS-2-R-C240-M40B](#) [NLS-N-W-C240-M40B](#) [NPS-3-BL-T6](#) [1986615-1](#) [2-1589900-8](#) [2199314-1](#) [KA8102](#)