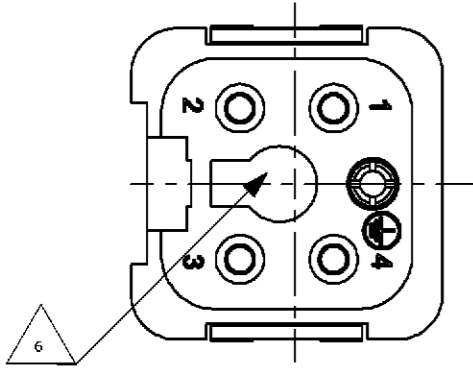


LOC	DIST	REVISIONS ÄNDERUNGEN					
AI	-	P	LTR	DESCRIPTION BESCHREIBUNG	DATE	DWN	APVD
PROJECT NR.	-	C1		PRINTING CORRECTED ECR-06-021058	01.09.2006	SR	SM
		C2		ECR-10-000005	09FEB10	RK	SRE

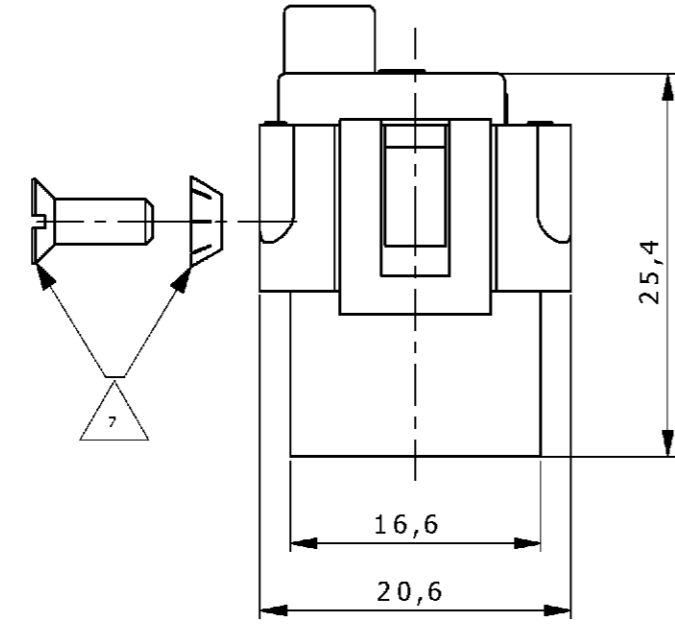
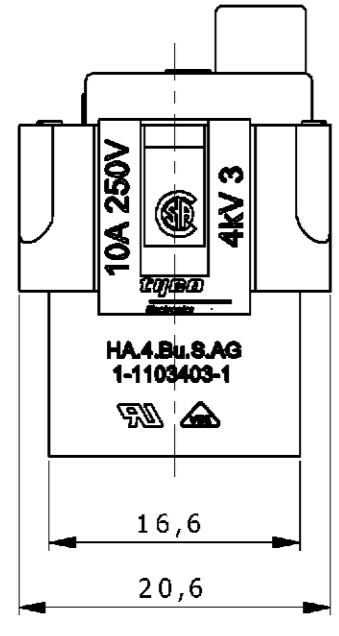
NOTES

- 1 CONTACT: 1 TO 4
SUITABLE SCREW CONTACTS: SERIES HA.3
OUTER DIMENSIONS OF INSULATION: MAX. Ø3,4 MM
- 2 GROUNDING CONTACT:
SUITABLE SCREW CONTACTS: SERIES HA.4
OUTER DIMENSIONS OF INSULATION: MAX. Ø3,4 MM
- 3 SUITABLE HOOD SIZE 1: SERIES HA; HD; EMV AND HIP
- 4 SUITABLE INSERTION AND EXTRACTION TOOL:
SCREWDRIVER 2,0x65
- 5 STANDARDS:
DIN EN 61984; DIN EN 60664-1
- 6 POLARIZATION RIPS
- 7 POS. 8 AND POS.9 PACKED SEPARATE IN POLY BAG
- 8 AUTHORIZATION: UL; CSA; VDE; SEV
- 9 PACKAGING:
10 SETS IN A CARTON, PRE-MOUNTED

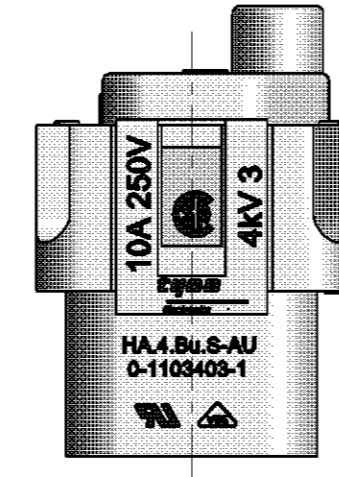
CONTACT ARRANGEMENT
VIEW FROM CONNECTING SIDE



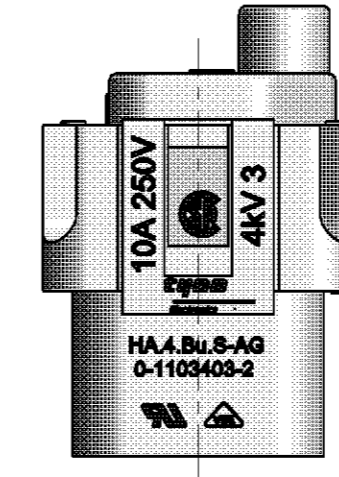
LATERAL PRINT
PN 1-1



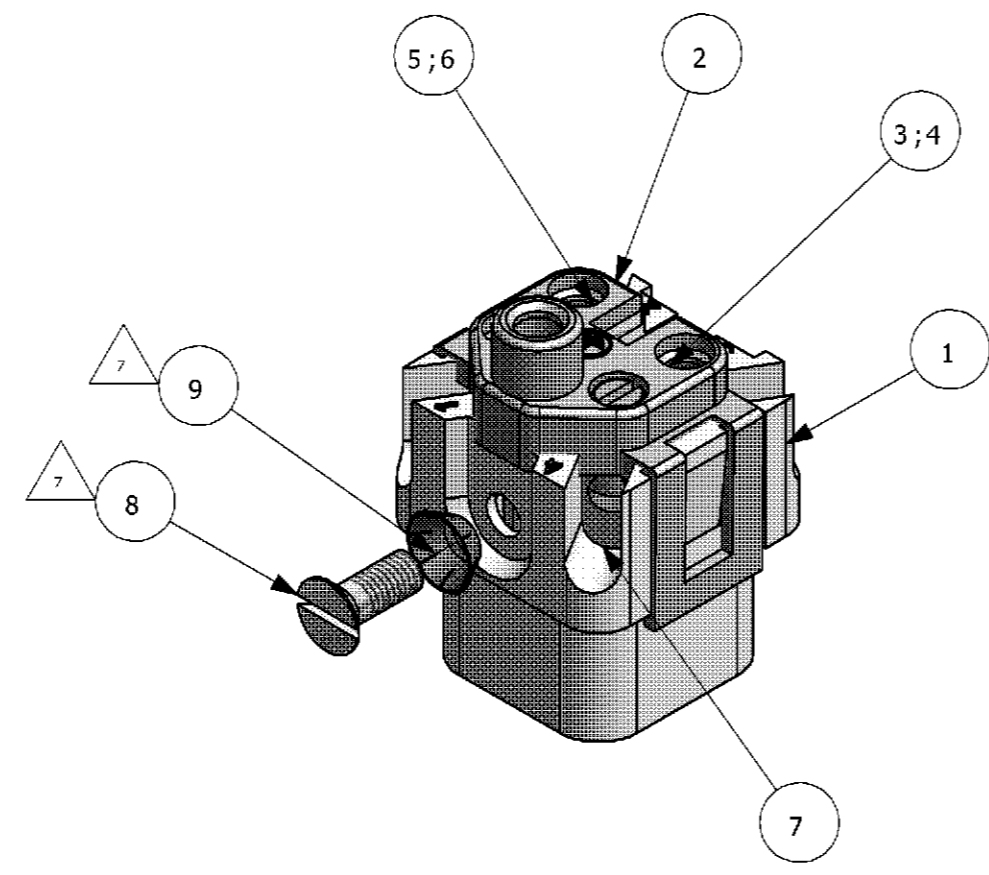
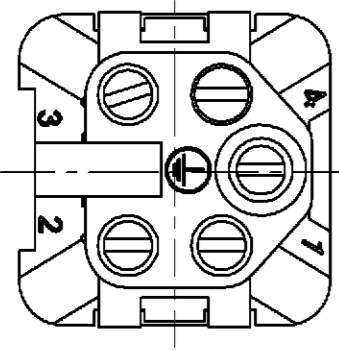
LATERAL PRINT
PN 0-1



LATERAL PRINT
PN 0-2



CONTACT ARRANGEMENT
VIEW FROM TERMINATION SIDE



QTY	DESCRIPTION	MATERIAL	COLOR	SURFACE	ITEM	NOTES
1	1	SPRING WASHER	STEEL	ZINK PLATED	9	V3.2
1	1	SLOTTED COUNTER FLAT HEAD SCREW	STEEL	ZINK PLATED	8	M3x8
5	5	SLOTTED CHEESE HEAD SCREW	BRASS	NICKEL PLATED	7	M3x5.5
1	1	CONTACT SOCKET	BRASS	GOLD PLATED	6	
1	1	CONTACT SOCKET	BRASS	SILVER PLATED	5	
4	4	CONTACT SOCKET	BRASS	GOLD PLATED	4	
4	4	CONTACT SOCKET	BRASS	SILVER PLATED	3	
1	1	COVER	LEXAN	BEIGE	2	
1	1	MALE INSERT	LEXAN	BEIGE	1	
0-2	0-1	1-1				
HA.4.Bu.S						
HA.4.Bu.S-Au						
HA.4.Bu.S						

THIS DRAWING IS A CONTROLLED DOCUMENT FOR AMP INCORPORATED. IT IS SUBJECT TO CHANGE AND THE CONTROLLING ENGINEERING ORGANIZATION SHOULD BE CONTACTED FOR THE LATEST REVISION. DIESSES ZEICHNUNGS-DOKUMENT WIRD DURCH AMP INCORPORATED KONTROLLIERT. ÄNDERUNGEN, DIE DEM TECHNISCHEN FORTSCHRITT ÜBEREN, SIND VORZUHALTEN. DEN VEREINBARTETEN TECHN. ÄNDERUNGSSTUFEN BEFOLGEN SIE AMP ANFANG.

DIMENSIONS: DIMENSIONEN: m m

TOLERANCES UNLESS OTHERWISE SPECIFIED: ALLGEMEIN TOLERANZEN
 m: ISO 8013 - m H-E
 m: ISO 2768 - m H-E
 m: DIN 16981 - 140

0 PLC #
 1 PLC #
 2 PLC #
 3 PLC #
 ANGLES / WINKEL #

MATERIAL FINISH / OBERFLÄCHE / FARBE WEIGHT / GEWICHT

DWN H.BRAUN 29.07.1997
 CHK KRAMER 29.07.1997
 APVD T.SCHNURPFEL 28.03.2006
 PRODUCT SPEC. 108-74008
 APPLICATION SPEC. 114-74010
 WEIGHT 0,0013 KG

NAME FEMALE INSERT
 HA.4.BU.S

SIZE A2 CAGE CODE 00779 DRAWING NO. 1103403

CUSTOMER DRAWING / KUNDENZEICHNUNG SCALE 1:1 SHEET 1 OF 1 REV. C2

X-ON Electronics

Largest Supplier of Electrical and Electronic Components

Click to view similar products for [Heavy Duty Power Connectors](#) category:

Click to view products by [TE Connectivity](#) manufacturer:

Other Similar products are found below :

[647757-1](#) [6643411-1](#) [6646058-2](#) [6646137-1](#) [6646138-1](#) [6646479-1](#) [6646608-1](#) [6646786-1](#) [6646940-1](#) [6651091-1](#) [6651525-1](#) [6651529-1](#)
[6651788-1](#) [696475-1](#) [702-32-01109](#) [703-25-02205](#) [73000005059](#) [73000005642](#) [73080255059](#) [73080965046](#) [765-15-0080A](#) [765-16-0080B](#)
[765-18-0080D](#) [829992-1](#) [902-77-02113](#) [PS00/A0620/6300](#) [PS25/A0420/63](#) [129-1J](#) [1409400](#) [AN0024023](#) [E6374G1](#) [e6389g2](#) [157-43GW8](#)
[MS3117-14AC](#) [1643543-1](#) [1650540-1](#) [1651811-2](#) [1766260-1](#) [1766282-1](#) [1766966-1](#) [1791340000](#) [NLDFT-3-BL-L-S120-M40A](#) [NLDFT-N-](#)
[W-L-C240-M40B](#) [NLS-2-R-C240-M40B](#) [NLS-N-W-C240-M40B](#) [NPS-3-BL-T6](#) [1986615-1](#) [2-1589900-8](#) [2199314-1](#) [KA8102](#)