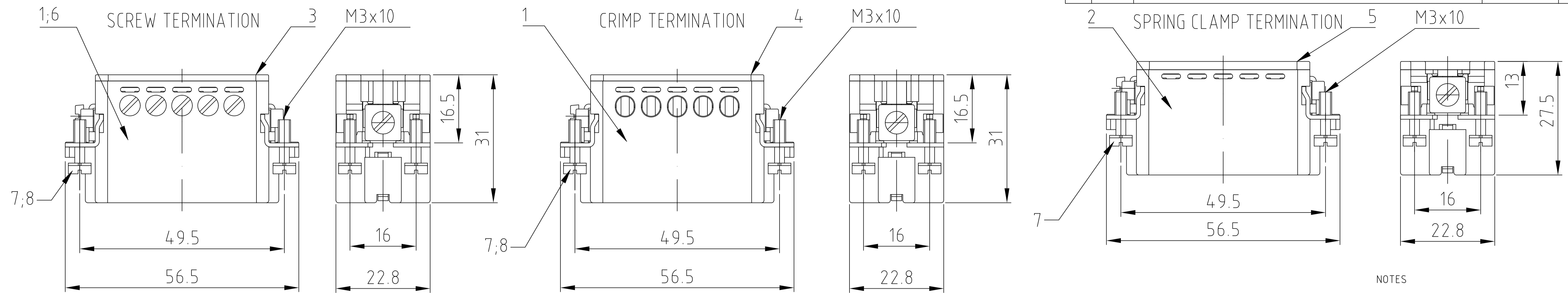


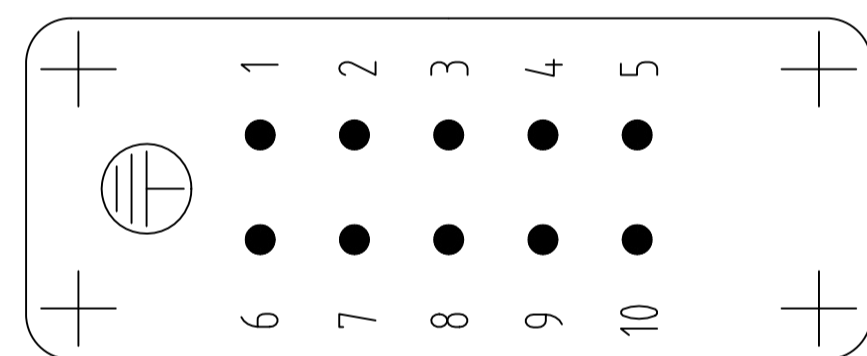
P	LTR	DESCRIPTION BESCHREIBUNG	DATE	DWN	APVD
D3	ECR-16-009336		08DEC16	GCM	MKO
D4	ECR-17-009069		09FEB2018	SG	MKO



NOTES

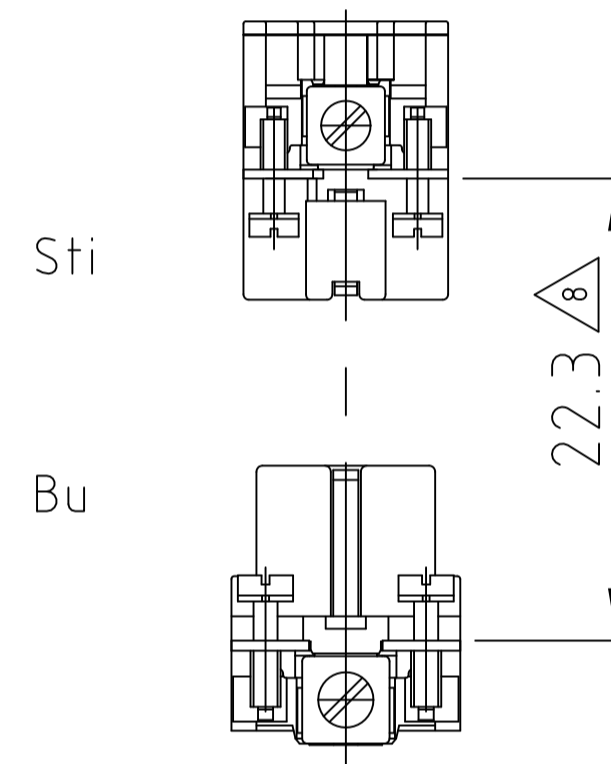
- 1 SUITABLE CRIMP CONTACTS: SERIES HE/HA  
OUTER DIMENSIONS OF INSULATION: MAX. Ø3,2 MM
- 2 SUITABLE HOOD SIZE 2: SERIES HA; HD  
SUITABLE INSERTION AND EXTRACTION TOOL:  
SCREWDRIVER 0,5x3 DIN 5264
- 3 Strip length: Screw conection 10mm  
Spring clamp conection 10mm Crimp conection 7.5mm
- 4 STANDARDS:  
DIN EN 61984; DIN EN 60664-1
- 5 PACKAGING  
10 SETS IN A CARTON, PRE-MOUNTED
- 6 SPECIAL PACKAGING  
200 PIECES IN A KANN-BAN BOT
- 7 SPECIAL PACKAGING  
100 PIECES IN A KANN-BAN BOT

Contact arrangement / view from termination side

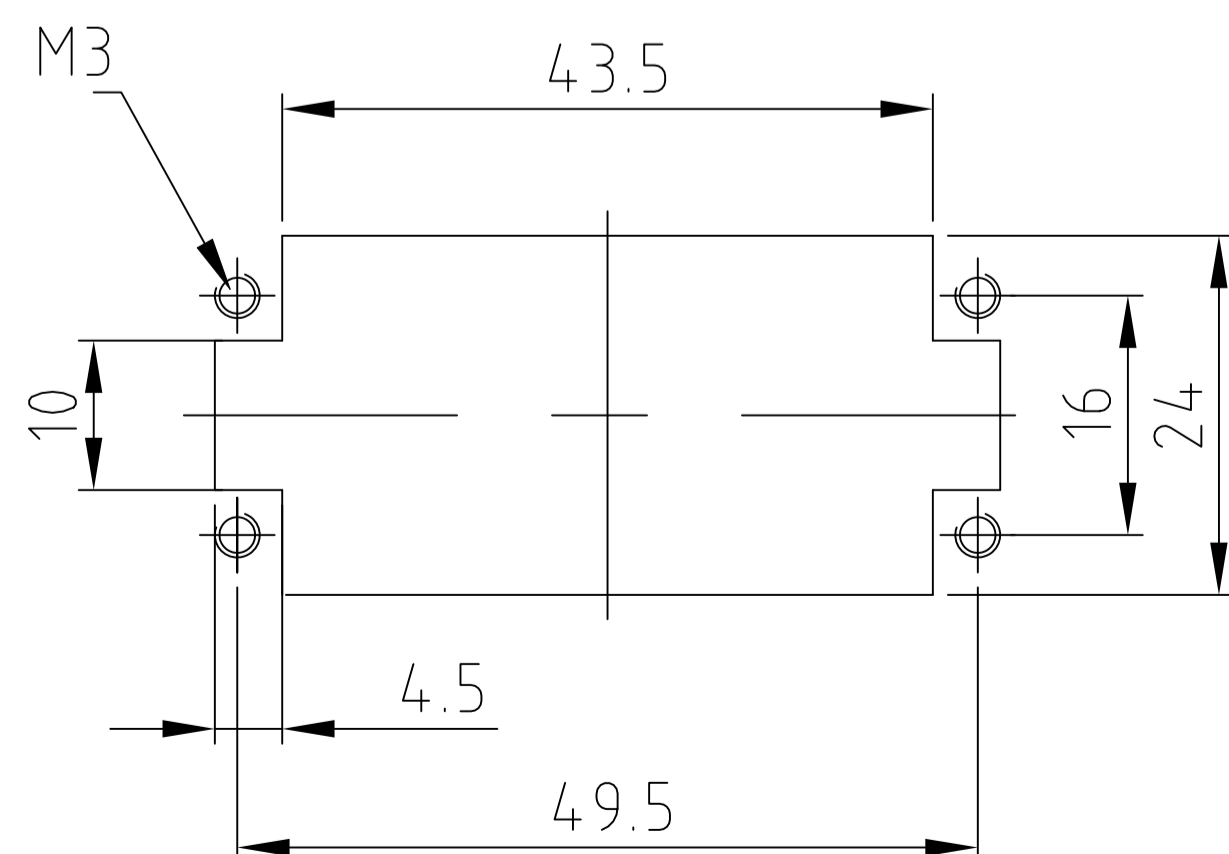


Assembling instruction

distance for safety  
contact marking max. 24 mm



Panel cut-out for contact insert  
when used without housing



HA.10.Sti.S.WIE	HA.10.Sti.C-OBS	HA.10.Sti.S.KM	HA.10.Sti.S-OBS	HA.10.Sti.S-VA	HA.10.Sti.S-AU	HA.10.Sti.C-VA	HA.10.Sti.SC	HA.10.Sti.C	HA.10.Sti.S
4	4		4	4	4	4	4	4	4
			1				1		
	1							1	
1	1	1	1	1		1		1	
							1		
1	1	1	1	1		1		1	1
1-2	1-0	0-9	0-8	0-4	0-6	0-5	7-1	2-3	1-1

DESCRIPTION / BENENNUNG	MATERIAL	Oberfläche	COLOR / FARBE	ITEM NO. POS.	REMARKS / BEMERKUNGEN
fixing screw	stainl.steel	blank		8	M3x10
fixing screw	steel	nickel plated	blue	7	M3x10
pin insert screw		PBT	hellbeige	6	with AU-contacts
cover spring strain clip		PBT	hellbeige	5	
cover crimp		PBT	helbeige	4	
cover screw		PBT	hellbeige	3	
pin insert spring strain clip		PBT	helbeige	2	
pin insert screw		PBT	helbeige	1	

ORDERING TEXT / BESTELLTEXT	THIS DRAWING IS A CONTROLLED DOCUMENT. DIESE ZEICHNUNG IST EIN KONTROLLIERTES DOKUMENT.		DWN 08.02.2000 Schneider		TE Connectivity  Pin insert Stifteinsatz HA.10.Sti
	DIMENSIONS: MASSEINHEITEN: mm		CHK 08.02.2000 Schweiger		
	TOLERANCES UNLESS OTHERWISE SPECIFIED: ALLGEMEINTOLERANZEN		APVD - NAME		
	0 PLC ± 1 PLC ± 2 PLC ± 3 PLC ± 4 PLC ± ANGLES / WINKEL ±		PRODUCT SPEC PRODUKTSPEZ. 108-74007  APPLICATION SPEC VERARBEITUNGSSPEZ. 114-74009		
MATERIAL		WEIGHT GEWICHT		SIZE A3	CAGE CODE 00779
		FINISH/OBERFLAECHE/FARBE		DRAWING NO ZEICHNUNGS-NR. C=1103414	
CUSTOMER DRAWING/KUNDENZEICHNUNG				SCALE MASSSTAB 1:1	SHEET BLATT 1 OF 1 REV D4

## X-ON Electronics

Largest Supplier of Electrical and Electronic Components

*Click to view similar products for [Heavy Duty Power Connectors](#) category:*

*Click to view products by [TE Connectivity](#) manufacturer:*

Other Similar products are found below :

[647757-1](#) [6643411-1](#) [6646058-2](#) [6646137-1](#) [6646138-1](#) [6646479-1](#) [6646608-1](#) [6646786-1](#) [6646940-1](#) [6651091-1](#) [6651525-1](#) [6651529-1](#)  
[6651788-1](#) [696475-1](#) [702-32-01109](#) [703-25-02205](#) [73000005059](#) [73000005642](#) [73080255059](#) [73080965046](#) [765-15-0080A](#) [765-16-0080B](#)  
[765-18-0080D](#) [829992-1](#) [902-77-02113](#) [PS00/A0620/6300](#) [PS25/A0420/63](#) [129-1J](#) [1409400](#) [AN0024023](#) [E6374G1](#) [e6389g2](#) [157-43GW8](#)  
[MS3117-14AC](#) [1643543-1](#) [1650540-1](#) [1651811-2](#) [1766260-1](#) [1766282-1](#) [1766966-1](#) [1791340000](#) [NLDFT-3-BL-L-S120-M40A](#) [NLDFT-N-](#)  
[W-L-C240-M40B](#) [NLS-2-R-C240-M40B](#) [NLS-N-W-C240-M40B](#) [NPS-3-BL-T6](#) [1986615-1](#) [2-1589900-8](#) [2199314-1](#) [KA8102](#)