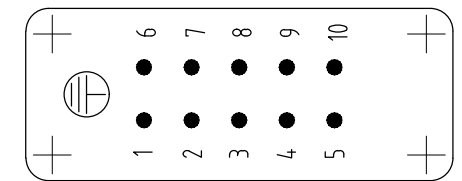
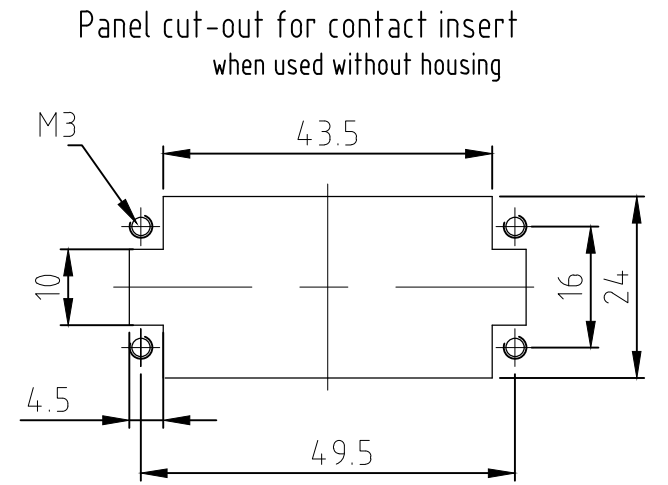
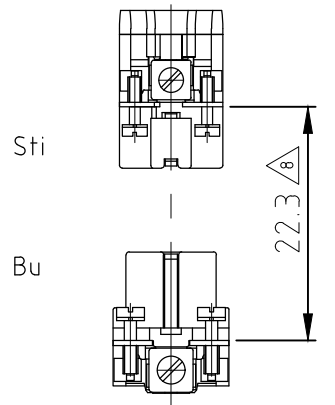


Contact arrangement / view from termination side



Assembling instruction
 DISTANCE FOR SAFETY CONTACT MARKING MAX. 24 mm



- NOTES
- SUITABLE CRIMP CONTACTS: SERIES HE/HA
OUTER DIMENSIONS OF INSULATION: MAX. Ø3,2 MM
 - SUITABLE HOOD SIZE 2: SERIES HA; HD
SUITABLE INSERTION AND EXTRACTION TOOL:
SCREWDRIVER 0,5x3 DIN 5264
 - Strip lenght: Screw conection 10mm
Spring clamp conection 10mm Crimp conection 7.5mm
 - STANDARDS:
DIN EN 61984; DIN EN 60664-1
- 5 PACKAGING
10 SETS IN A CARTON, PRE-MOUNTED
- 6 SPECIAL PACKAGING
200 PIECES IN A KANN-BAN BOT
- 7 SPECIAL PACKAGING
100 PIECES IN A KANN-BAN BOT

ITEM NO. POS.	DESCRIPTION / BENENNUNG	MATERIAL	Surface	COLOR / FARBE	ITEM NO. POS.	NOTES
8	fixing screw	stainl. steel	blank/even		8	M3x10
7	fixing screw	Stahl/steel	nickel plated	blue	7	M3x10
6	socket insert screw	PBT		light beige	6	with AU contact
5	cover spring strain clip	PBT		light beige	5	
4	cover crimp	PBT		light beige	4	
3	cover screw	PBT		light beige	3	
2	socket insert spring strain clip	PBT		light beige	2	
1	socket insert crimp&screw	PBT		light beige	1	

HA-10.Bu.S.WIE	HA-10.Bu.C-OBS	HA-10.Bu.S.KM	HA-10.Bu.S-OBS	HA-10.Bu.S-VA	HA-10.Bu.S-AU	HA-10.Bu.C-VA	HA-10.Bu.SC	HA-10.Bu.C	HA-10.Bu.S
1-2	1-0	0-9	0-8	0-4	0-6	0-5	7-1	2-3	1-1
1	1	1	1	1	1	1	1	1	1

ORDERING TEXT / BESTELL TEXT

THIS DRAWING IS A CONTROLLED DOCUMENT.
 DIESE ZEICHNUNG IST EIN KONTROLLIERTES DOKUMENT.

DIMENSIONS: MASSE/NEHTEN: mm
 TOLERANCES UNLESS OTHERWISE SPECIFIED: ALLGEMEINTOLERANZEN

0 PLC ± - p. ISO 2768 - M
 1 PLC ± - p. ISO 2768 - M
 2 PLC ± - p. ISO 2768 - M
 3 PLC ± - p. ISO 2768 - M
 4 PLC ± - p. ISO 2768 - M
 ANGLES / WINKEL ± -

MATERIAL FINISH/OBERFLAECHE/FARBE

DWN Schneider 08.02.2000
 CHK Schweiger 08.02.2000
 APVD -

PRODUCT SPEC PRODUKTSPEZ. 108-74007
 APPLICATION SPEC VERARBEITUNGSSPEZ. 114-74009

WEIGHT GEWICHT

CUSTOMER DRAWING/KUNDENZEICHNUNG

SCALE MASSTAB 1:1
 SHEET BLATT 1 OF VON 1
 REV D4

STE TE Connectivity
 Socket insert Buchseneinsatz HA.10.Bu

SIZE A3 CAGE CODE 00779 DRAWING NO ZEICHNUNGS-NR. G-1103415 RESTRICTED TO NUR FUER

X-ON Electronics

Largest Supplier of Electrical and Electronic Components

Click to view similar products for [Heavy Duty Power Connectors](#) category:

Click to view products by [TE Connectivity](#) manufacturer:

Other Similar products are found below :

[647757-1](#) [6643411-1](#) [6646058-2](#) [6646137-1](#) [6646138-1](#) [6646479-1](#) [6646608-1](#) [6646786-1](#) [6646940-1](#) [6651091-1](#) [6651525-1](#) [6651529-1](#)
[6651788-1](#) [696475-1](#) [702-32-01109](#) [703-25-02205](#) [73000005059](#) [73000005642](#) [73080255059](#) [73080965046](#) [765-15-0080A](#) [765-16-0080B](#)
[765-18-0080D](#) [829992-1](#) [902-77-02113](#) [PS00/A0620/6300](#) [PS25/A0420/63](#) [129-1J](#) [1409400](#) [AN0024023](#) [E6374G1](#) [e6389g2](#) [157-43GW8](#)
[MS3117-14AC](#) [1643543-1](#) [1650540-1](#) [1651811-2](#) [1766260-1](#) [1766282-1](#) [1766966-1](#) [1791340000](#) [NLDFT-3-BL-L-S120-M40A](#) [NLDFT-N-](#)
[W-L-C240-M40B](#) [NLS-2-R-C240-M40B](#) [NLS-N-W-C240-M40B](#) [NPS-3-BL-T6](#) [1986615-1](#) [2-1589900-8](#) [2199314-1](#) [KA8102](#)