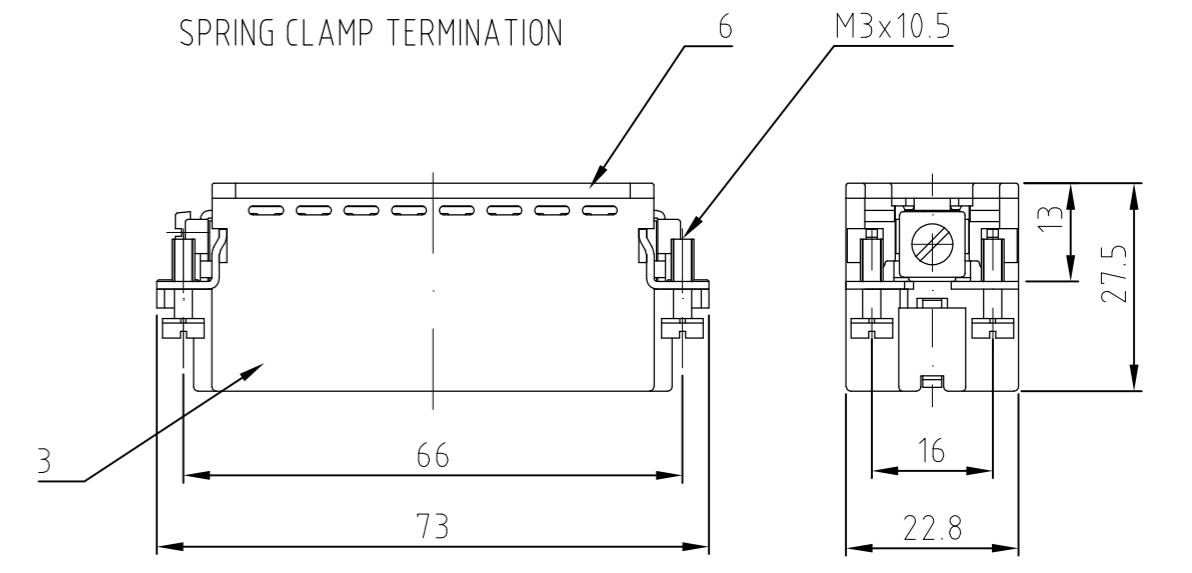
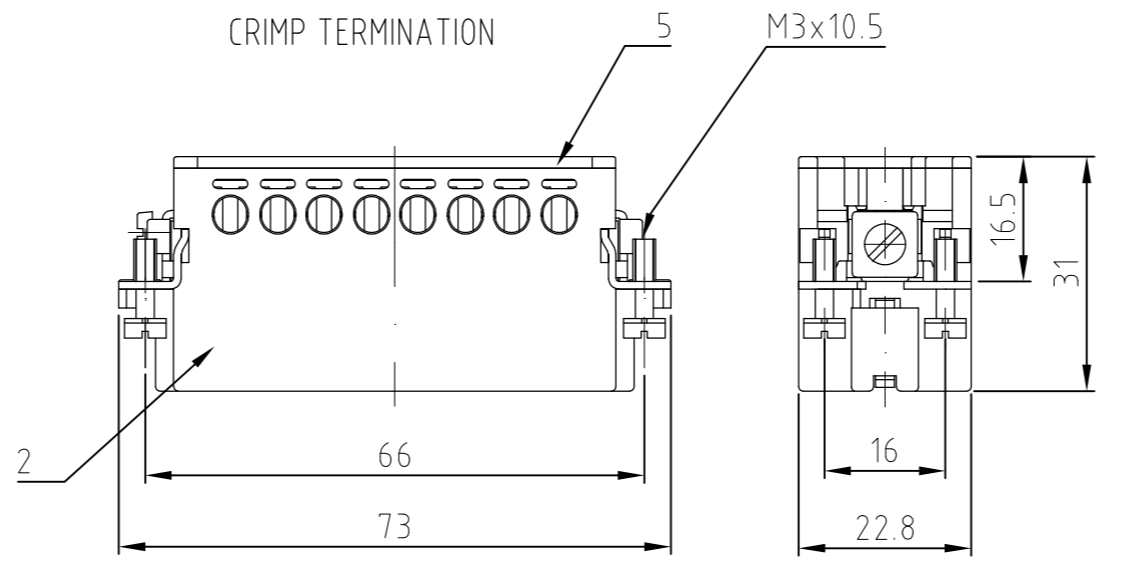
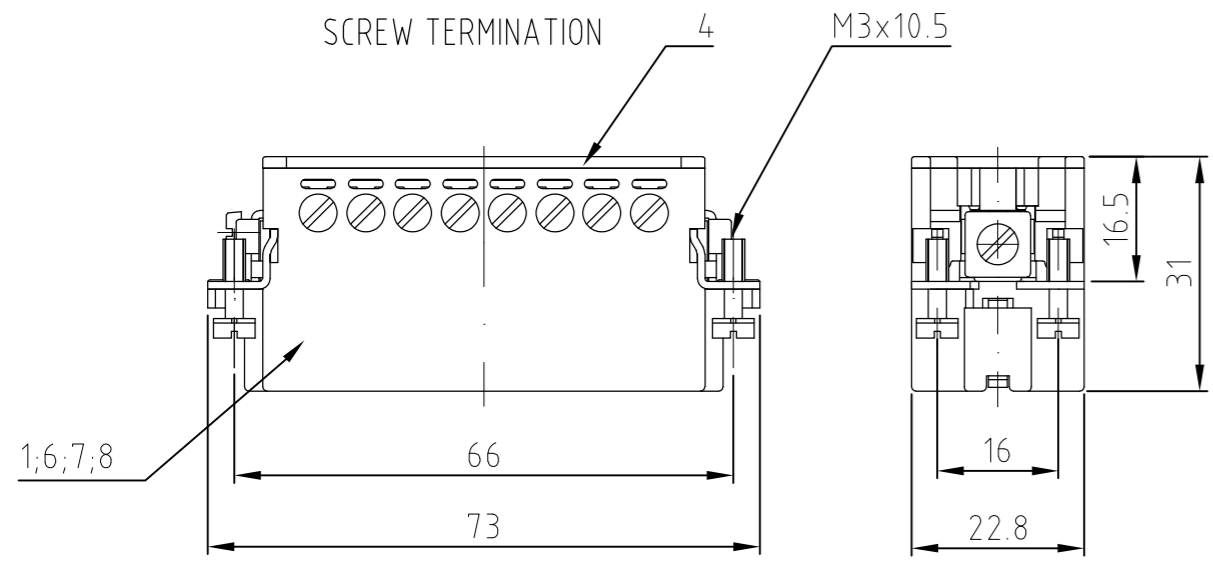
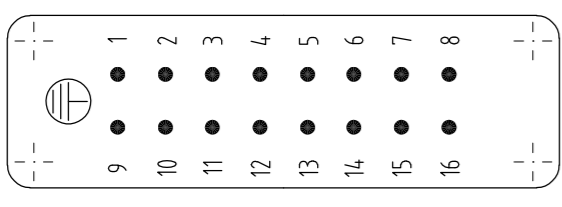


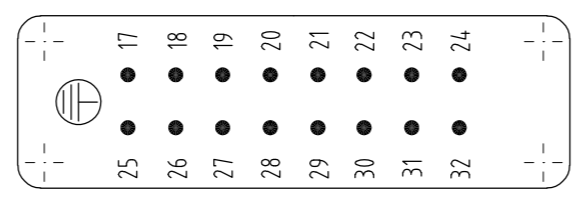
LOC		DIST		REVISIONS			
P	LTR	DESCRIPTION		DATE	DWN	APVD	
PROJEKT NR.:		D3	REVISED PER ECO-11-005150		21MAR11	RK	HMR



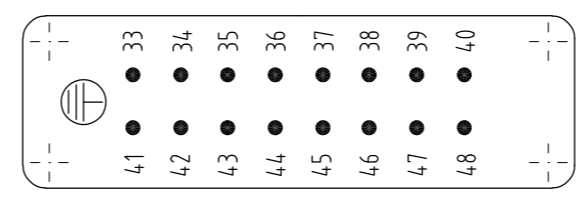
Contact arrangement / view from termination side



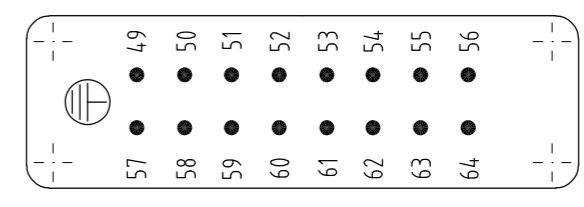
Contact arrangement / view from termination side



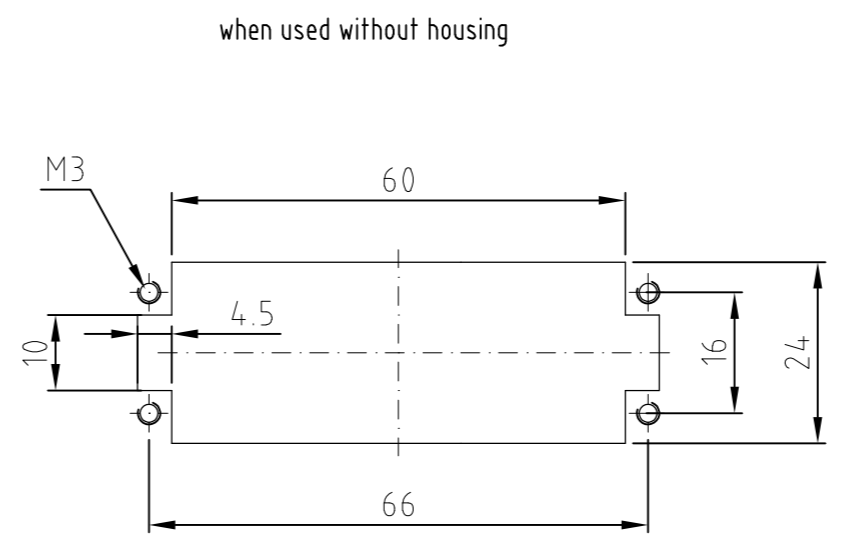
Contact arrangement / view from termination side



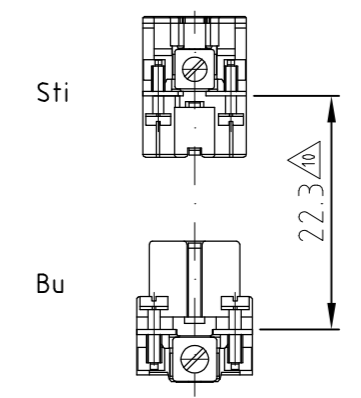
Contact arrangement / view from termination side



Panel cut-out for contact insert



Assembling instruction



△ DISTANCE FOR SAFETY CONTACT MARKING MAX. 24 mm

- NOTES:
- 1 SUITABLE CRIMP CONTACTS: SERIES HE/HA  
OUTER DIMENSIONS OF INSULATION: MAX. Ø3,2 MM
  - △ SUITABLE HOOD SIZE 5; 7; 9; 11: SERIES HA; HD  
SUITABLE INSERTION AND EXTRACTION TOOL:  
SCREWDRIVER 0,5x3 DIN 5264
  - △ Strip lenght: Screw conection 10mm  
Spring clamp conection 10mm Crimp conection 7.5mm
  - △ STANDARDS:  
DIN EN 61984; DIN EN 60664-1
  - △ PACKAGING:  
10 SETS IN A CARTON, PRE-MOUNTED
  - △ SPECIAL PACKAGING: Krauss-Maffei  
PACKAGING UNIT: 300 PIECES
  - △ SPECIAL PACKAGING: Krauss-Maffei  
PACKAGING UNIT: 150 PIECES
  - △ SPECIAL PACKAGING: AIS  
PACKAGING UNIT: 250 PIECES
  - △ SPECIAL PACKAGING: WIELAND  
PACKAGING UNIT: 100 PIECES
  - ☒ SEE TE CONNECTIVITY QUALITYMANAGEMENT PROCEDURE NO. 1.12

OBSOLETE																																														
																				DESCRIPTION / BENENNUNG	MATERIAL	COLOR / FARBE	ITEM NO. POS.	REMARKS / BEMERKUNGEN																						
																				Pin insert screw	PBT	light beige	8	with stainless steel-fixing screw																						
																				Pin insert screw	PBT	light beige	7	with stainless steel-fixing screw																						
																				Pin insert screw	PBT	light beige	6	with AU contact																						
																				Cover	PBT	light beige	5																							
																				Cover	PBT	light beige	4																							
1	1	1	1	1	1	1		1													1	Cover	PBT	light beige	3																					
																							pin insert spring clamp	PBT	light beige	2																				
1	1	1	1																				pin insert crimp/screw	PBT	light beige	1																				
1-3	1-2	1-0	0-4	0-7	0-6	0-5	2-9	1-9	7-9	7-8	1-8	2-8	1-7	7-7	2-7	7-1	2-3	1-1																												
HA.16.Sti.S.B1-16.WIE	HA.16.Sti.S.B1-16.AIS	HA.16.Sti.S.B17-32.KM	HA.16.Sti.S.B1-16.KM	HA.16.Sti.S.VA.B1-16	HA.16.Sti.S.VA.B17-32	HA.16.Sti.S.-AU.B1-16	HA.16.Sti.C.B 49-64	HA.16.Sti.S.B 49-64	HA.16.Sti.S.C.B 49-64	HA.16.Sti.S.C.B 33-48	HA.16.Sti.S.B 33-48	HA.16.Sti.C.B 33-48	HA.16.Sti.S.B 17-32	HA.16.Sti.S.C.B 17-32	HA.16.Sti.C.B 1-16	HA.16.Sti.S.B 1-16																														
ORDERING TEXT / BESTELLTEXT																				THIS DRAWING IS A CONTROLLED DOCUMENT.		DWN 09.02.2000	Schneider		TE Connectivity		Male insert		HA.16.Sti.C		108-74007		114-77009		A2		00779		C=1103416		SCALE 1:1		SHEET 1 OF 1		REV D3	
DIMENSIONS: mm																				TOLERANCES UNLESS OTHERWISE SPECIFIED:		APVD -		NAME		PRODUCT SPEC		APPLICATION SPEC		WEIGHT -		CUSTOMER DRAWING														
																				FINISH -		APVD -		NAME		PRODUCT SPEC		APPLICATION SPEC		WEIGHT -		CUSTOMER DRAWING														

## X-ON Electronics

Largest Supplier of Electrical and Electronic Components

*Click to view similar products for [Heavy Duty Power Connectors](#) category:*

*Click to view products by [TE Connectivity](#) manufacturer:*

Other Similar products are found below :

[1424439](#) [1424438](#) [09330062652](#) [2-8675P1](#) [580129-2](#) [605601-1](#) [6340G1](#) [6341G1](#) [6360G1](#) [6373G1](#) [6374g2](#) [6396G1](#) [647757-1](#) [66394-4](#)  
[6643411-1](#) [6646058-2](#) [6646137-1](#) [6646138-1](#) [6646348-1](#) [6646479-1](#) [6646608-1](#) [6646786-1](#) [6646940-1](#) [6651091-1](#) [6651525-1](#) [6651529-1](#)  
[6651778-1](#) [6651788-1](#) [696465-1](#) [696475-1](#) [73000005059](#) [73000005349](#) [73000005642](#) [73080255059](#) [73080965046](#) [765-15-0080A](#)  
[765-16-0080B](#) [789.700-44](#) [789.700-54](#) [80-1010](#) [80-9](#) [827381-1](#) [829992-1](#) [902-77-02113](#) [PL00U-301-10D10](#) [PM103MOOLOO](#)  
[PM16S1620S32-50](#) [PM212MOOLOO](#) [PM309FOOLOO](#) [PM324FOOLCH](#)