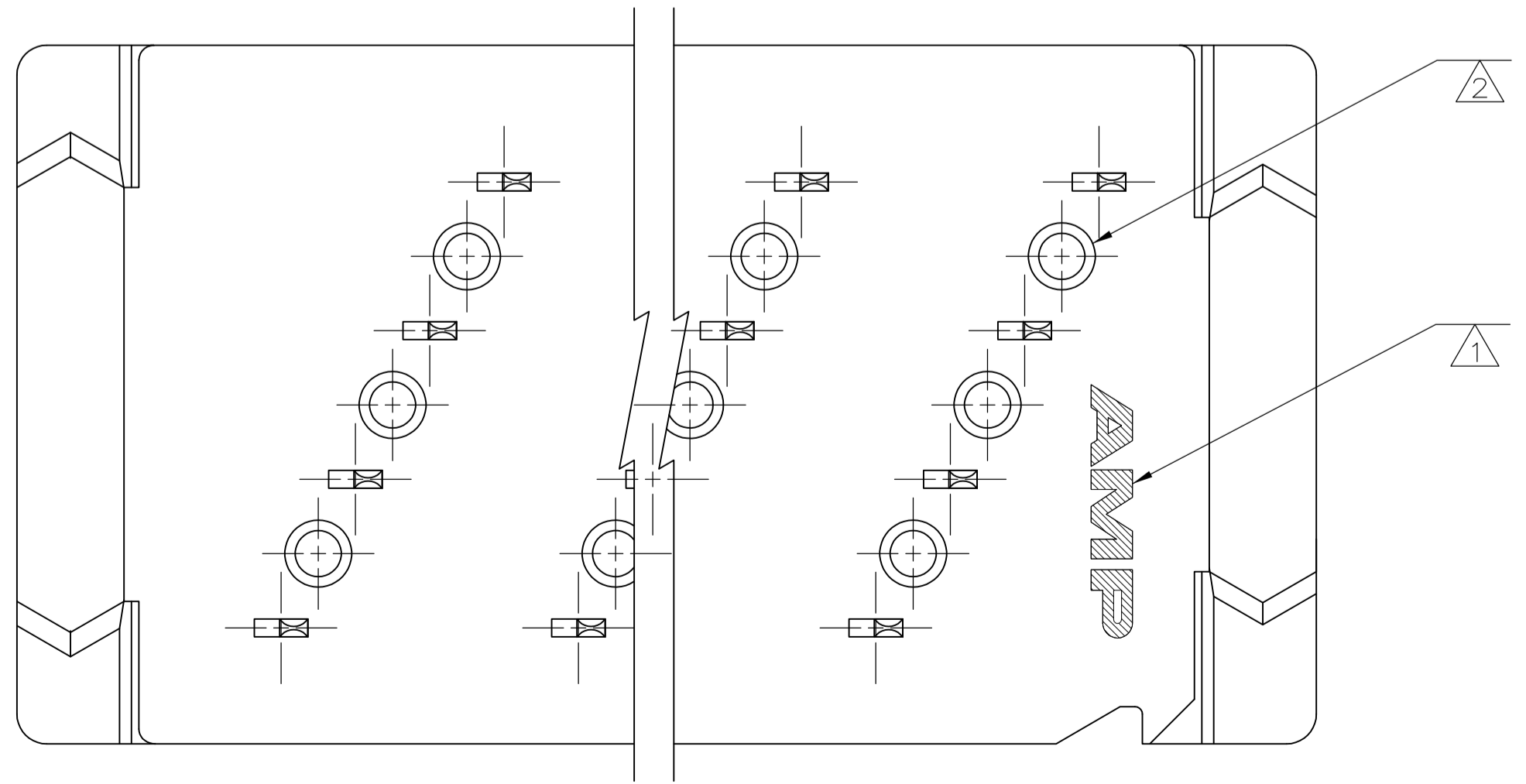
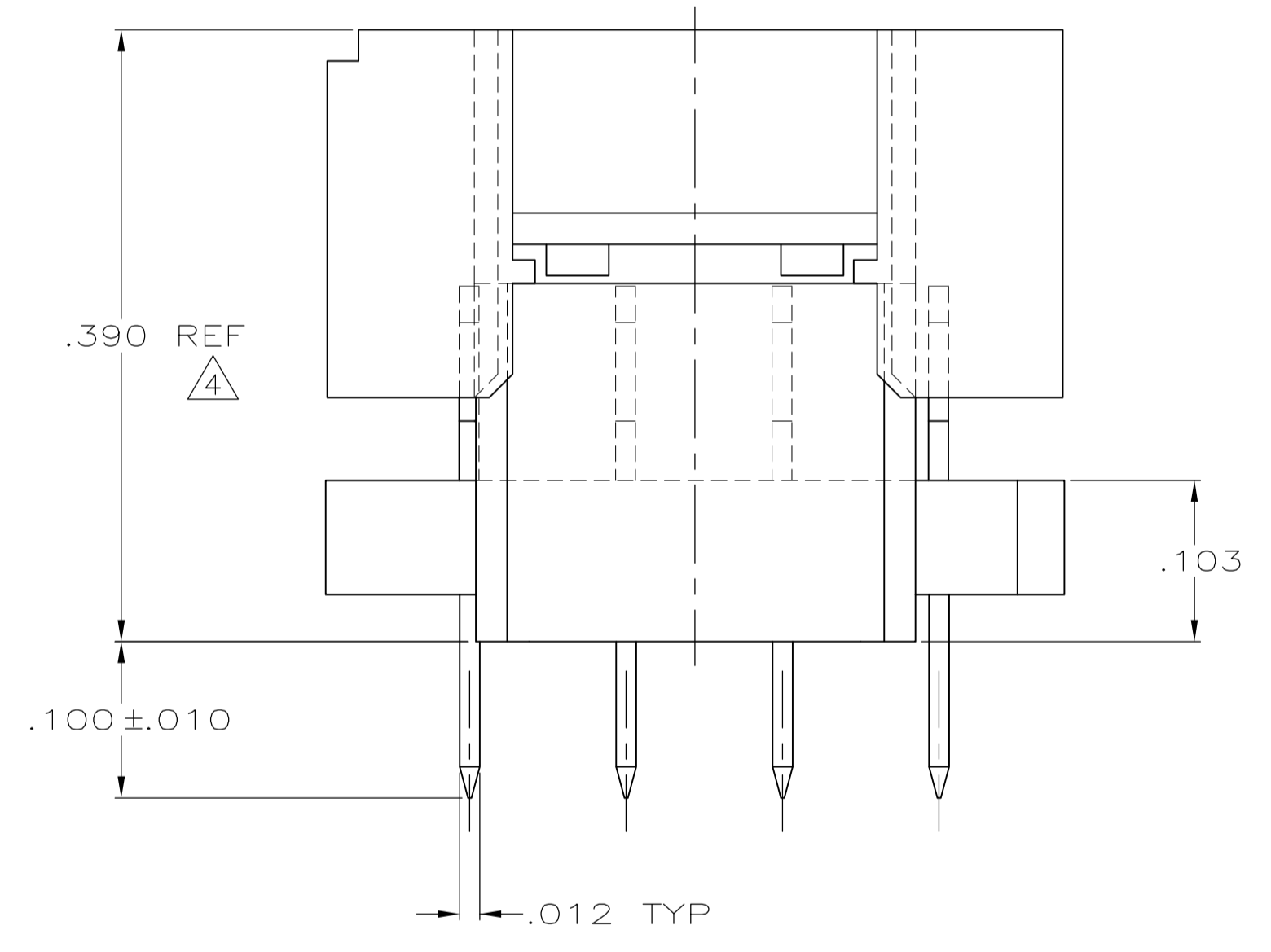
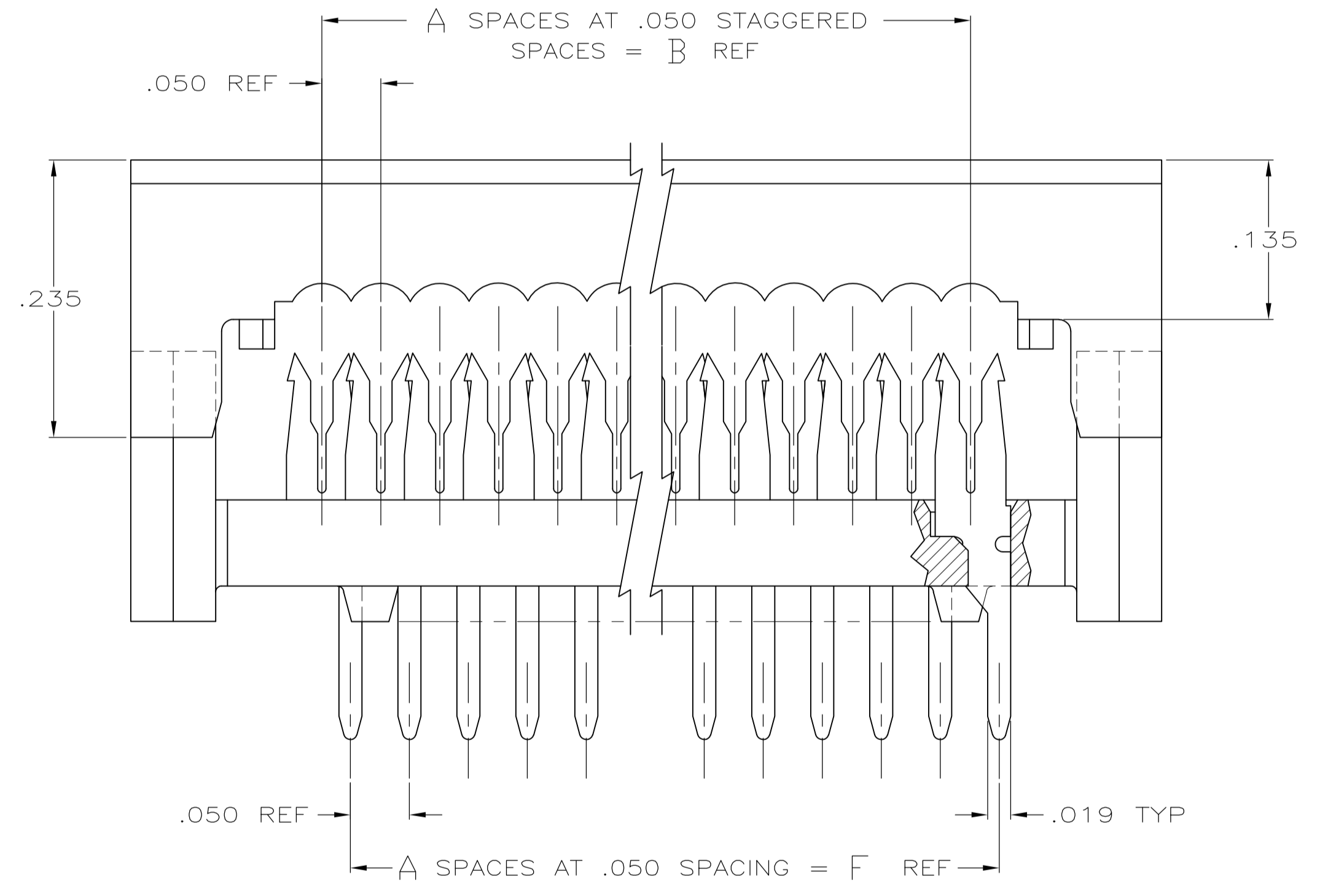


RECOMMENDED HOLE LAYOUT

- 1 AMP TRADEMARK LOCATED IN APPROX AREA SHOWN.
- 2 STANDOFFS: POSN 12 (9) STANDOFFS AS SHOWN.
 POSN 16 (12) STANDOFFS, 3 PER DIAGONAL ROW.
 POSN 20 (15) STANDOFFS, 3 PER DIAGONAL ROW.
 POSN 24 (18) STANDOFFS, 3 PER DIAGONAL ROW.
 POSN 28 (21) STANDOFFS, 3 PER DIAGONAL ROW.
 POSN 32 (24) STANDOFFS, 3 PER DIAGONAL ROW.
 POSN 36 (27) STANDOFFS, 3 PER DIAGONAL ROW.
 POSN 40 (30) STANDOFFS, 3 PER DIAGONAL ROW.
 POSN 44 (33) STANDOFFS, 3 PER DIAGONAL ROW.
 POSN 48 (36) STANDOFFS, 3 PER DIAGONAL ROW.
 POSN 52 (39) STANDOFFS, 3 PER DIAGONAL ROW.
 POSN 56 (42) STANDOFFS, 3 PER DIAGONAL ROW.
 POSN 60 (45) STANDOFFS, 3 PER DIAGONAL ROW.
- 3 FINISH: BRIGHT TIN-LEAD .000100-.000200 THK OVER NICKEL .000050 MIN THK.
- 4 HEIGHT AFTER TERMINATION IS .238 REF.
- 5 CAVITY IDENTIFICATION MOLDED IN THIS AREA.
- 6 FINISH: BRIGHT TIN .000100-.000200 THK OVER NICKEL .000050 MIN THK.



FINISH	F	E	D	C	B	A	NO OF POSN	PART NUMBER
6	2.950	2.950	3.274	2.950	2.950	59	60	6-111035-3
6	2.150	2.150	2.474	2.150	2.150	43	44	5-111035-9
6	1.950	1.950	2.274	1.950	1.950	39	40	5-111035-8
6	1.750	1.750	2.074	1.750	1.750	35	36	5-111035-7
6	1.550	1.550	1.874	1.550	1.550	31	32	5-111035-6
6	1.150	1.150	1.474	1.150	1.150	23	24	5-111035-4
6	.950	.950	1.274	.950	.950	19	20	5-111035-3
6	.750	.750	1.074	.750	.750	15	16	5-111035-2
3	2.950	2.950	3.274	2.950	2.950	59	60	1-111035-3
OBSOLETE	2.750	2.750	3.074	2.750	2.750	55	56	1-111035-2
OBSOLETE	2.550	2.550	2.874	2.550	2.550	51	52	1-111035-1
OBSOLETE	2.350	2.350	2.674	2.350	2.350	47	48	1-111035-0
3	2.150	2.150	2.474	2.150	2.150	43	44	111035-9
3	1.950	1.950	2.274	1.950	1.950	39	40	111035-8
3	1.750	1.750	2.074	1.750	1.750	35	36	111035-7
5	1.550	1.550	1.874	1.550	1.550	31	32	111035-6
OBSOLETE	1.350	1.350	1.674	1.350	1.350	27	28	111035-5
3	1.150	1.150	1.474	1.150	1.150	23	24	111035-4
5	.950	.950	1.274	.950	.950	19	20	111035-3
3	.750	.750	1.074	.750	.750	15	16	111035-2
OBSOLETE	.550	.550	.874	.550	.550	11	12	111035-1

THIS DRAWING IS A CONTROLLED DOCUMENT. **STE** TE Connectivity

APPROVED: J. PEACHEY 05-MAR-86
 CHK: M. SCULLY 23-MAY-86
 NAME: D. HOFFMAN 23-MAY-86

PRODUCT SPEC: KIT, AMP-LATCH PADDLEBOARD PREASSEMBLED, .100 LONG POSTS FULL ROW, FULL TIN PLATED CONTACTS

APPLICATION SPEC: 114-40005

SIZE: A1 CAGE CODE: 00779 DRAWING NO: 111035

RESTRICTED TO: CUSTOMER DRAWING

SCALE: 10:1 SHEET 1 OF 1 REV J

X-ON Electronics

Largest Supplier of Electrical and Electronic Components

Click to view similar products for [Headers & Wire Housings](#) category:

Click to view products by [TE Connectivity](#) manufacturer:

Other Similar products are found below :

[95000-104TRLF](#) [10135584-644402LF](#) [DF62W-EP2022PCA](#) [95000-106TRLF](#) [DF62W-2022SCA](#) [DF62W-EP2022PC](#) [2203348](#) [DF62W-2022SC](#) [1084018](#) [1029039](#) [1084017](#) [802-10-012-10-002000](#) [1112640](#) [1112639](#) [000-34000](#) [0009482033](#) [0009507031](#) [57102-S06-03LF](#) [57202-S52-04LF](#) [PCN6-15S-2.5E](#) [0039019024](#) [58102-G61-06LF](#) [582553-1](#) [0009508121](#) [0050291907](#) [018731A](#) [LY20-4P-DT1-P1E-BR](#) [02.125.8002.8](#) [60101931](#) [60598-1 \(Cut Strip\)](#) [M1625-3R/100](#) [61062-3](#) [61082-181009](#) [636-1427](#) [638009-1](#) [641938-9](#) [641991-4](#) [644168-1](#) [647662-1](#) [65039-019ELF](#) [65817-002LF](#) [65817-015LF](#) [65863-015LF](#) [66207-023LF](#) [67016-026LF](#) [67046-001LF](#) [67095-007LF](#) [68002-116](#) [68016-236H](#) [68648-049](#)