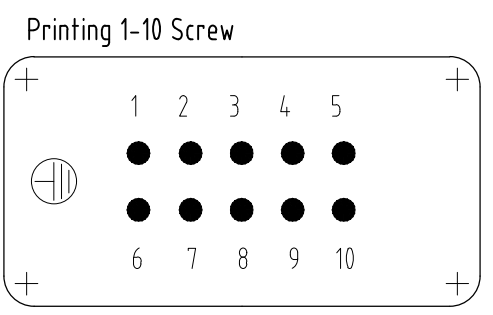
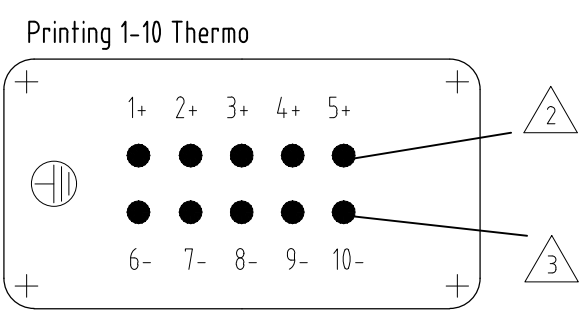
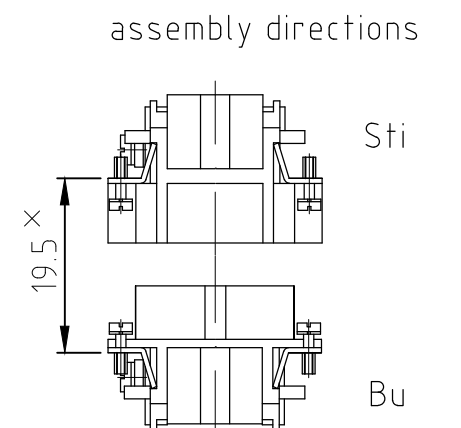
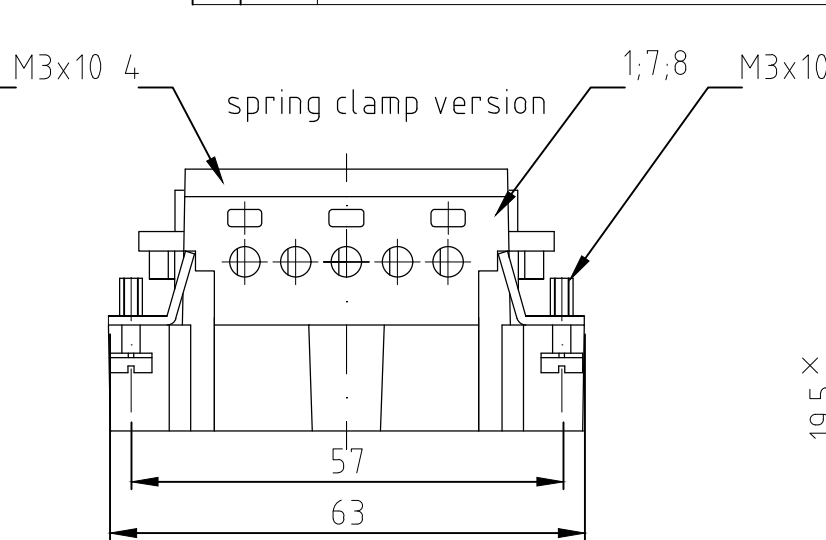
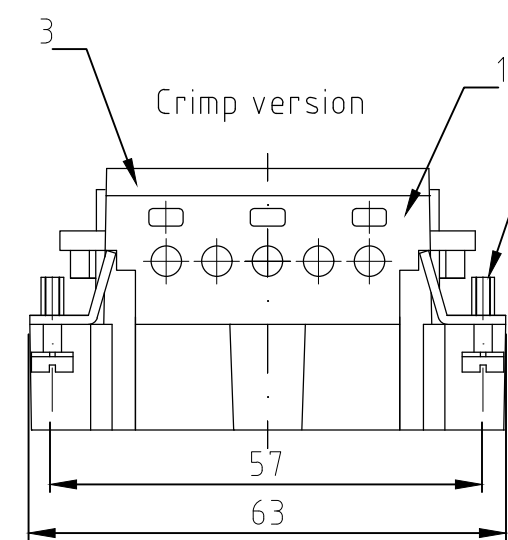
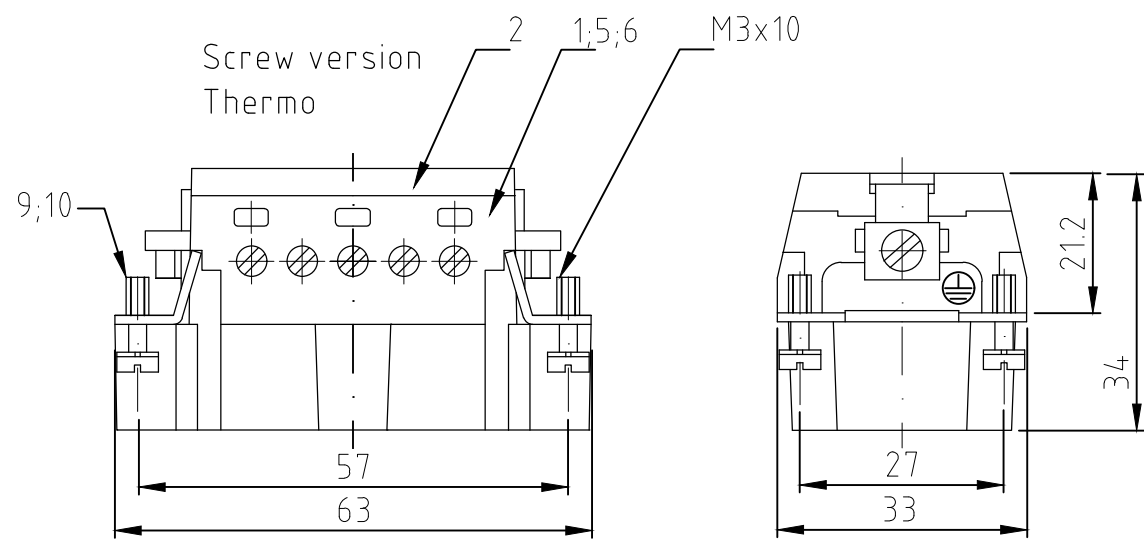


THIS DRAWING IS UNPUBLISHED.
VERTRAULICHE UNVERÖFFENTLICHTE ZEICHNUNG

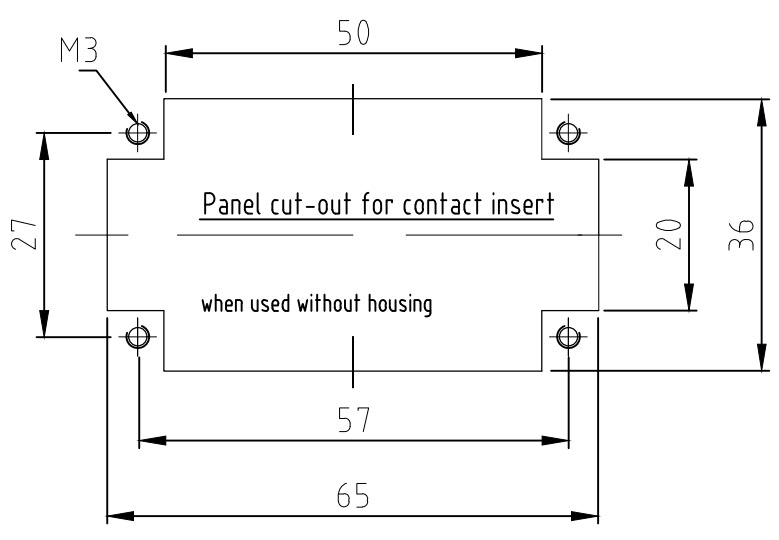
RELEASED FOR PUBLICATION
FREI FUER VERÖFFENTLICHUNG
ALL RIGHTS RESERVED.
ALLE RECHTE VORBEHALTEN

REVISIONS ÄNDERUNGEN		DATE	DWN	APVD
P	LTR	DESCRIPTION BESCHREIBUNG		
	A9	REVISED PER ECR-17-014412	03APR18	NG MKO



view from termination side

- NOTES:
- 1 SUITABLE CRIMP CONTACTS: SERIES HE/HA
OUTER DIMENSIONS OF INSULATION: MAX. Ø3,2 MM
 - 2 SUITABLE HOOD SIZE 4: SERIES HB, HD,HIP,EMV
SUITABLE INSERTION AND EXTRACTION TOOL:
SCREWDRIVER 0,5x3 DIN 5264
 - 3 Strip length: Screw conection 10mm
Spring clamp conection 10mm Crimp conection 7.5mm
 - 4 STANDARDS:
DIN EN 61984; DIN EN 60664-1
 - 5 PACKAGING:
5 SETS IN A CARTON, PRE-MOUNTED
 - 6 SPECIAL PACKAGING: Krauss-Maffei
PACKAGING UNIT: 250 PIECES



OBSOLETE	OBSOLETE	OBSOLETE	OBSOLETE	SUPERSEDED BY T204.0103101-000	SUPERSEDED BY T204.0104.101-000	OBSOLETE									
			4												
	4		4	4	4	4	4								
	10														
					10										
		10	10				10								
	1				1										
						1									
		1	1	1			1	1							
		1	1	1	1	1	1	1							
0-3	0-2	0-1	9-5	7-1	2-3	1-7	1-1	DESCRIPTION / BENENNUNG		MATERIAL	SURFACE	COLOR	ITEM NO. POS.	NOTES	
△	△	△	△	△	△	△	△	△	fixing screw	stainless steel	even		10	M3x10	
									fixing screw	steel	nickel plated	blue	9	M3x10	
									contact spring clamp	brass	gold plated		8		
									contact pin	brass	silver plated		7		
									contact screw termination	brass	gold plated		6		
									contact screw termination	brass	silber plated		5		
									cover spring version			light grey	4		
									cover crimp version			light grey	3		
									cover screw version			light grey	2		
									pin insert			light grey	1		

ORDERING TEXT / BESTELL TEXT	THIS DRAWING IS A CONTROLLED DOCUMENT. DIESE ZEICHNUNG IST EIN KONTROLLIERTES DOKUMENT.		DWN Gräf 10.02.1999	 TE Connectivity Male insert HE.10.STI.S/C
	DIMENSIONS: MASSE/NEHTEN: mm		CHK Schweiger 18.02.1999	
	TOLERANCES UNLESS OTHERWISE SPECIFIED: ALLGEMEINTOLERANZEN		APVD - NAME	
	0 PLC ± 1 PLC ± 2 PLC ± 3 PLC ± 4 PLC ± ANGLES / WINKEL ±-		PRODUCT SPEC PRODUKTSPEZ.	
MATERIAL		FINISH/OBERFLAECHE/FARBE	APPLICATION SPEC VERARBEITUNGSSPEZ.	RESTRICTED TO NUR FUER
CUSTOMER DRAWING/KUNDENZEICHNUNG			SCALE MASSTAB 1:1	SHEET BLATT 1 OF VON 1
			DRAWING NO ZEICHNUNGS-NR. G-1103636	REV A9

X-ON Electronics

Largest Supplier of Electrical and Electronic Components

Click to view similar products for [Heavy Duty Power Connectors](#) category:

Click to view products by [TE Connectivity](#) manufacturer:

Other Similar products are found below :

[647757-1](#) [6643411-1](#) [6646058-2](#) [6646137-1](#) [6646138-1](#) [6646479-1](#) [6646608-1](#) [6646786-1](#) [6646940-1](#) [6651091-1](#) [6651525-1](#) [6651529-1](#)
[6651788-1](#) [696475-1](#) [702-32-01109](#) [703-25-02205](#) [73000005059](#) [73000005642](#) [73080255059](#) [73080965046](#) [765-15-0080A](#) [765-16-0080B](#)
[765-18-0080D](#) [829992-1](#) [902-77-02113](#) [PS00/A0620/6300](#) [PS25/A0420/63](#) [129-1J](#) [1409400](#) [AN0024023](#) [E6374G1](#) [e6389g2](#) [157-43GW8](#)
[MS3117-14AC](#) [1643543-1](#) [1650540-1](#) [1651811-2](#) [1766260-1](#) [1766282-1](#) [1766966-1](#) [1791340000](#) [NLDFT-3-BL-L-S120-M40A](#) [NLDFT-N-](#)
[W-L-C240-M40B](#) [NLS-2-R-C240-M40B](#) [NLS-N-W-C240-M40B](#) [NPS-3-BL-T6](#) [1986615-1](#) [2-1589900-8](#) [2199314-1](#) [KA8102](#)