

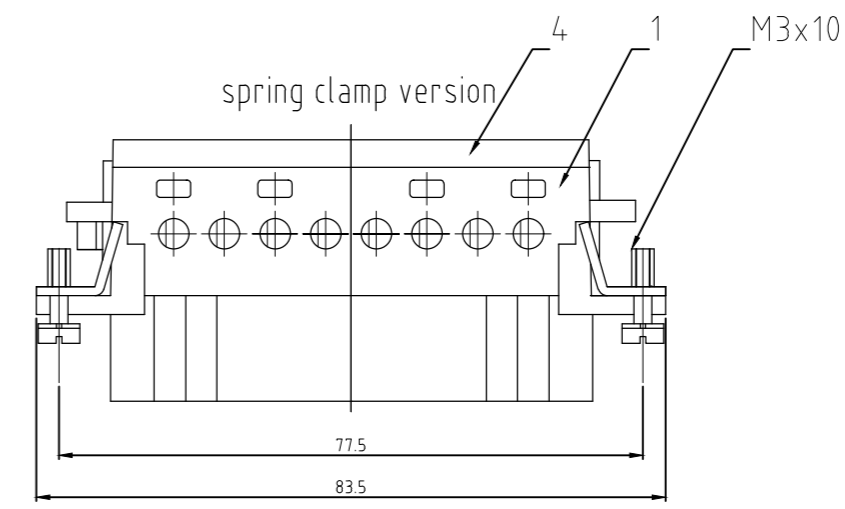
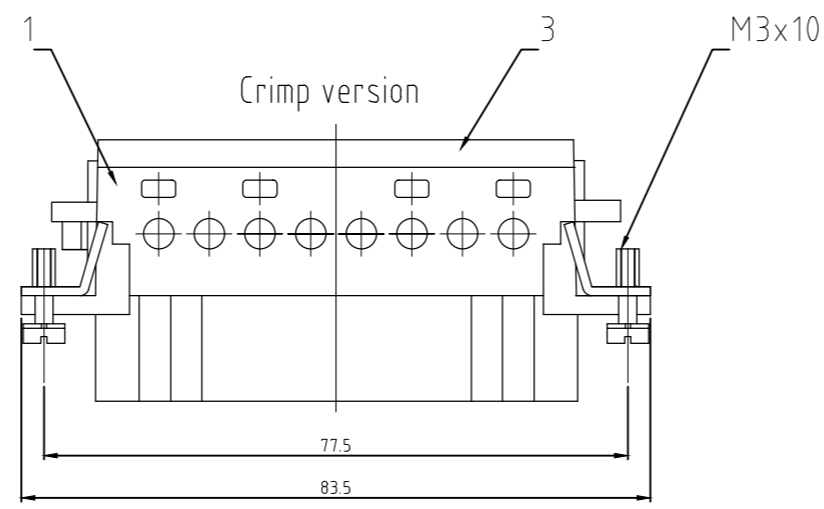
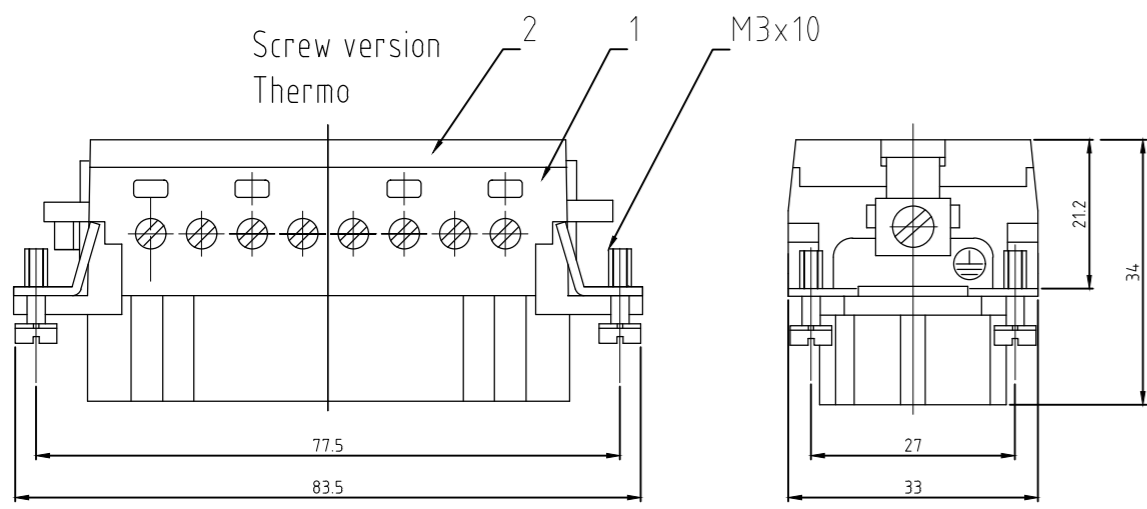
THIS DRAWING IS UNPUBLISHED.  
VERTRAULICHE UNVERÖFFENTLICHTE ZEICHNUNG

RELEASED FOR PUBLICATION  
FREI FUER VERÖFFENTLICHUNG  
ALL RIGHTS RESERVED.  
ALLE RECHTE VORBEHALTEN

MATED WITH:  
PASSEND ZU:  
HE

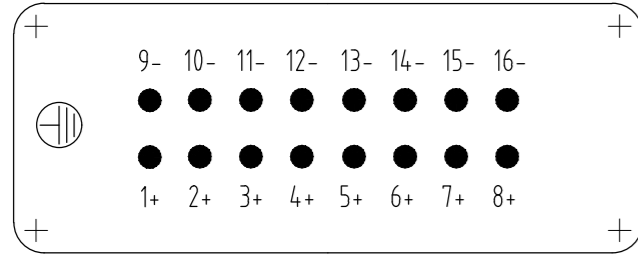
REVISIONS

| P   | LTR           | DESCRIPTION<br>BESCHREIBUNG | DATE      | DWN | APVD |
|-----|---------------|-----------------------------|-----------|-----|------|
| C12 | ECR-17-014011 |                             | 28MAR2018 | SG  | MKO  |

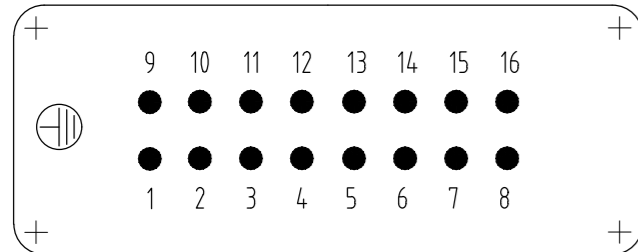


Contact arrangement view from termination side

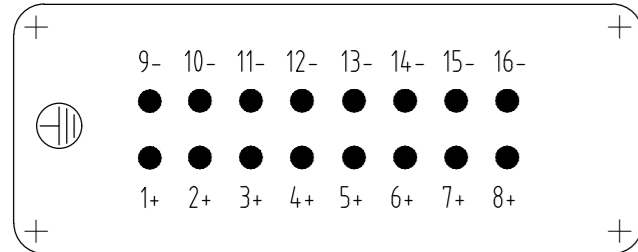
Printing 1-16 Thermo



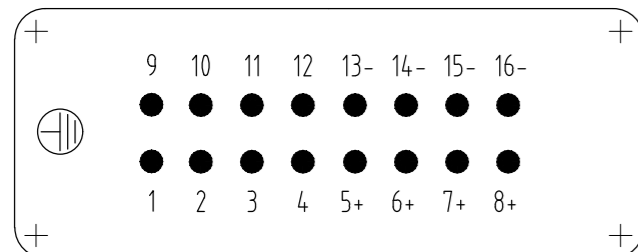
Printing 1-16 Screw



Printing 1-16 Thermo

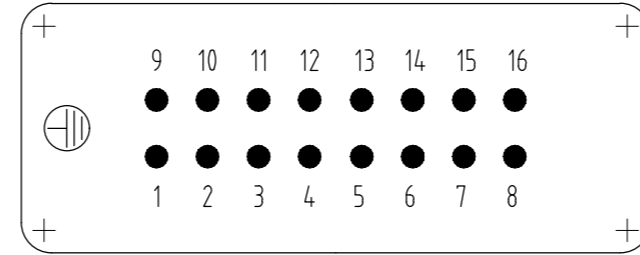


Printing 8+4+4 Screw/Thermo

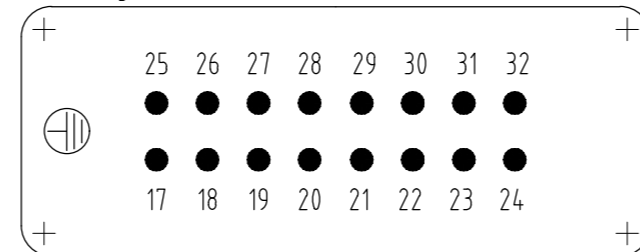


Contact arrangement view from termination side

Printing 1-16

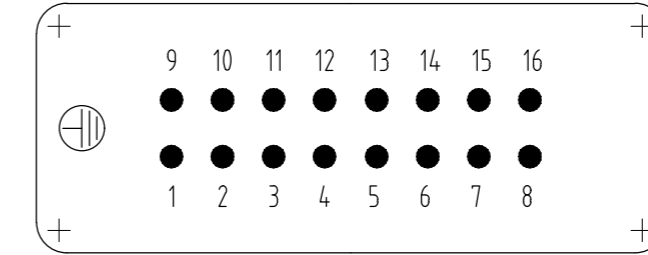


Printing 17-32

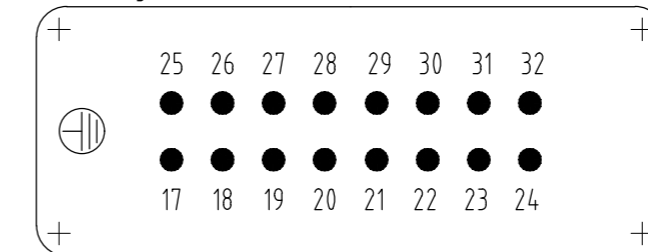


Contact arrangement view from termination side

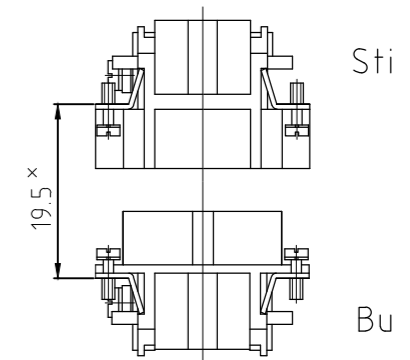
Printing 1-16



Printing 17-32



assembly directions

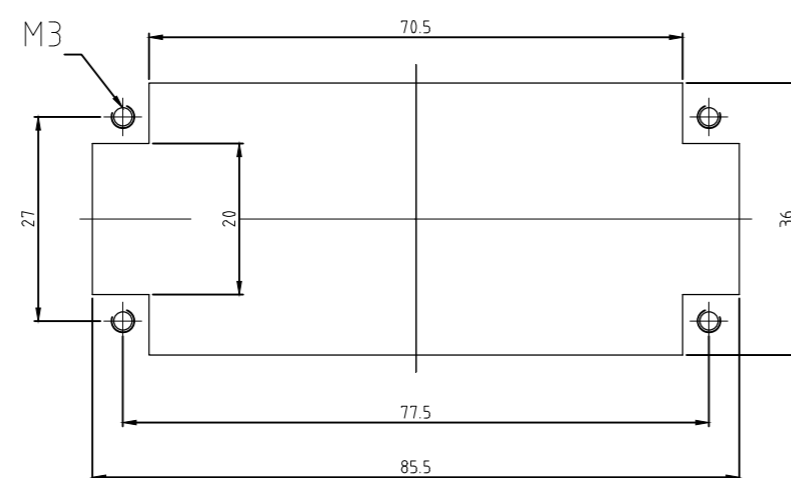


X distance for a safe contact max: max: 21 mm

NOTES:

- SUITABLE CRIMP CONTACTS: SERIES HE/HA  
OUTER DIMENSIONS OF INSULATION: MAX. Ø3,2 mm
- SUITABLE HOOD SIZE 6; 10; SERIES HB; HD;HIP,EMV  
SUITABLE INSERTION AND EXTRACTION TOOL:  
SCREWDRIVER 0,5x3 DIN 5264
- Strip lenght: Screw conection 10mm  
Spring clamp conection 10mm Crimp conection 7.5mm
- STANDARDS:  
DIN EN 61984; DIN EN 60664-1
- PACKAGING:  
5 SETS IN A CARTON, PRE-MOUNTED
- SPECIAL PACKAGING: Krauss-Maffei  
PACKAGING UNIT: 200 PIECES

Panel cut-out for contact insert when used without housing



|                      |                               |  |  |  |  |  |  |  |  |
|----------------------|-------------------------------|--|--|--|--|--|--|--|--|
| HE.16.Bu.S.B1-16-KM  | OBSOLETE                      |  |  |  |  |  |  |  |  |
| HE.16.Bu.S-T-B-8-4-4 | OBSOLETE                      |  |  |  |  |  |  |  |  |
| HE.16.Bu.S-B-1-16-AU | OBSOLETE                      |  |  |  |  |  |  |  |  |
| HE.16.Bu.S.C.B-17-32 | SUPERSEDED BY T2040323201-000 |  |  |  |  |  |  |  |  |
| HE.16.Bu.S.C.B-1-16  | SUPERSEDED BY T2040163201-000 |  |  |  |  |  |  |  |  |
| HE.16.Bu.C.B-17-32   | OBSOLETE                      |  |  |  |  |  |  |  |  |
| HE.16.Bu.C.B-1-16    |                               |  |  |  |  |  |  |  |  |
| HE.16.Bu.S.B.17-32   |                               |  |  |  |  |  |  |  |  |
| HE.16.Bu.S-T-B-1-16  | OBSOLETE                      |  |  |  |  |  |  |  |  |
| HE.16.Bu.S.B-1-16    |                               |  |  |  |  |  |  |  |  |

| DESCRIPTION / BENENNUNG  | MATERIAL | COLOR / FARBE | ITEM NO. POS. | REMARKS / BEMERKUNGEN |
|--------------------------|----------|---------------|---------------|-----------------------|
| Deckel Federklemmversion |          | lichtgrau     | 4             |                       |
| Deckel Crimpversion      |          | lichtgrau     | 3             |                       |
| Deckel Schraubversion    |          | lichtgrau     | 2             |                       |
| Buchseinsatz             |          | lichtgrau     | 1             |                       |

|  |  |                    |                 |
|--|--|--------------------|-----------------|
| THIS DRAWING IS A CONTROLLED DOCUMENT.<br>DIESE ZEICHNUNG IST EIN KONTROLLIERTES DOKUMENT. |  | DWN 08.02.2000     | TE Connectivity |
| DIMENSIONS: MASSENHETEN mm   |  | CHK 08.02.2000     |                 |
| TOLERANCES UNLESS OTHERWISE SPECIFIED: ALLGEMEINTOLERANZEN                                 |  | APVD -             | NAME            |
| 0 PLC ±  |  | PRODUCT SPEC       | Female insert   |
| 1 PLC ±  |  | PRODUKTSPEZ.       | HE.16.BU.C/S    |
| 2 PLC ±  |  | APPLICATION SPEC.  |                 |
| 3 PLC ±  |  | VERARBEITUNGSSPEZ. |                 |
| 4 PLC ±  |  | WEIGHT             |                 |
| ANGLES / WINKEL ±  |  | GEWICHT            |                 |
| FINISH / OBERFLAECHE / FARBE   |  | SCALE              |                 |
| MATERIAL   |  | MASSTAB 1:1        |                 |

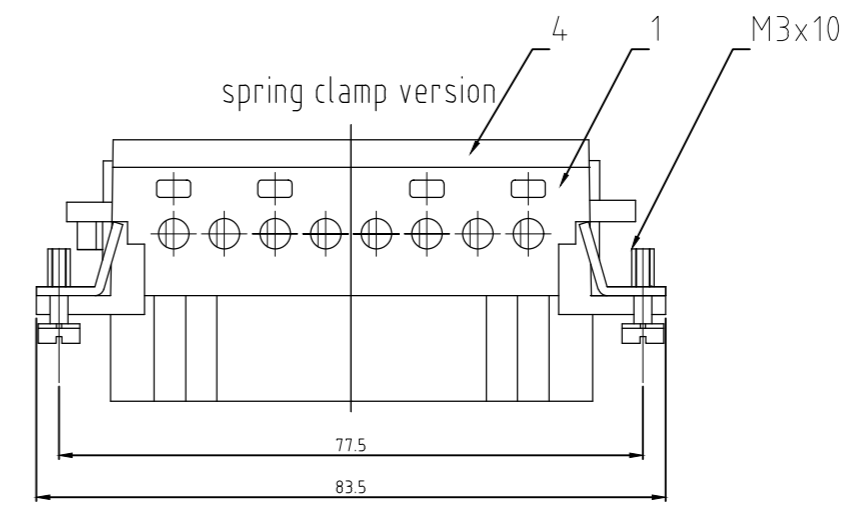
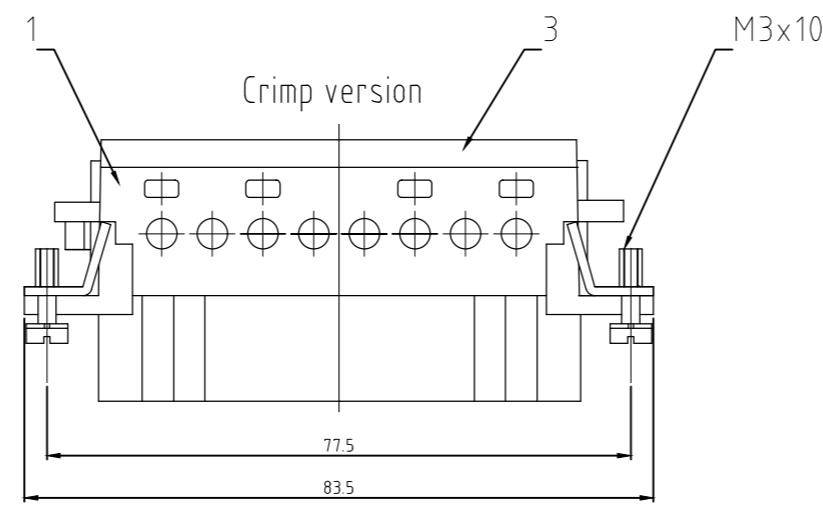
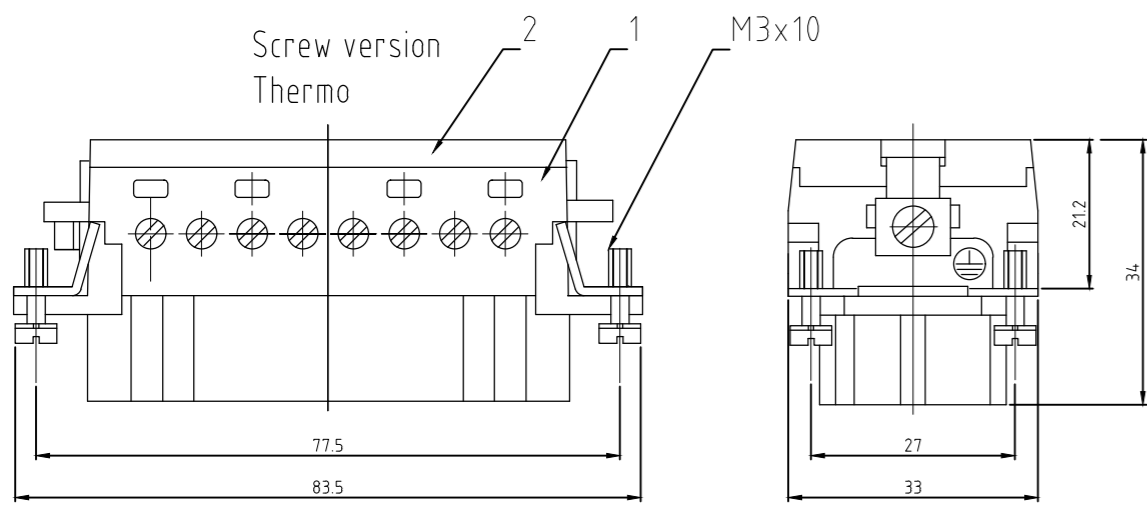
|                                    |                   |                                      |                        |
|------------------------------------|-------------------|--------------------------------------|------------------------|
| SIZE A2                            | CAGE CODE 00779   | DRAWING NO. ZEICHNUNGS-NR. C=1103639 | RESTRICTED TO NUR FUER |
| CUSTOMER DRAWING / KUNDENZEICHNUNG | SCALE MASSTAB 1:1 | SHEET BLATT 1 von 1                  | REV C12                |

THIS DRAWING IS UNPUBLISHED.  
VERTRAULICHE UNVERÖFFENTLICHTE ZEICHNUNG

RELEASED FOR PUBLICATION  
FREI FUER VERÖFFENTLICHUNG  
ALL RIGHTS RESERVED.  
ALLE RECHTE VORBEHALTEN

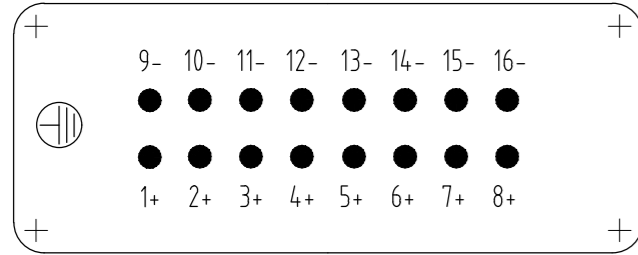
MATED WITH:  
PASSEND ZU:  
HE

| P   |  | LTR           |  | DESCRIPTION<br>BESCHREIBUNG | DATE      | DWN | APVD |
|-----|--|---------------|--|-----------------------------|-----------|-----|------|
| C10 |  | ECR-17-000919 |  |                             | 10AUG2017 | RG  | MKO  |

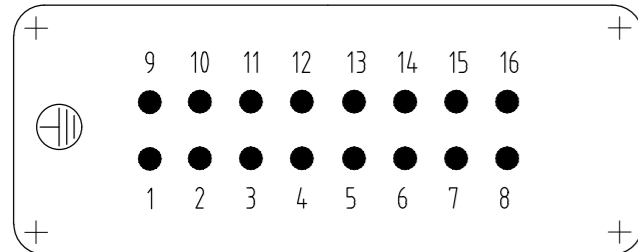


Contact arrangement view from termination side

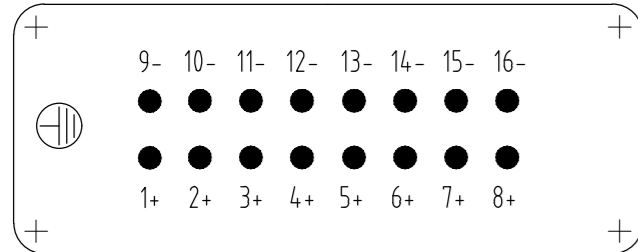
Printing 1-16 Thermo



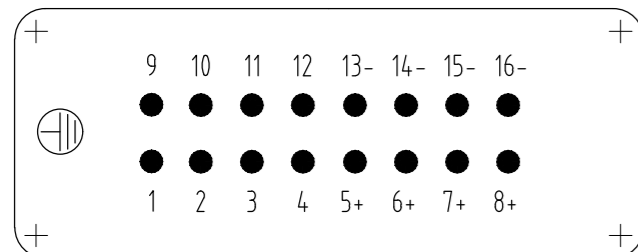
Printing 1-16 Screw



Printing 1-16 Thermo

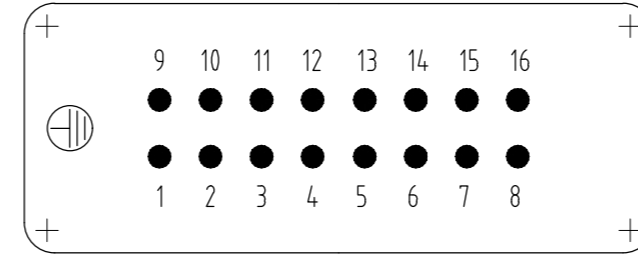


Printing 8+4+4 Screw/Thermo

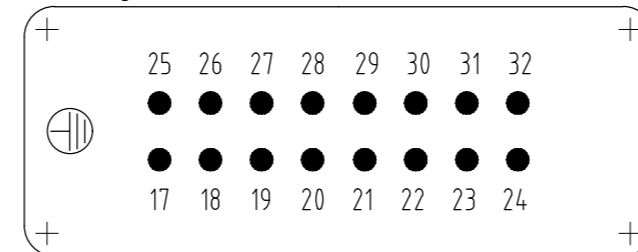


Contact arrangement view from termination side

Printing 1-16

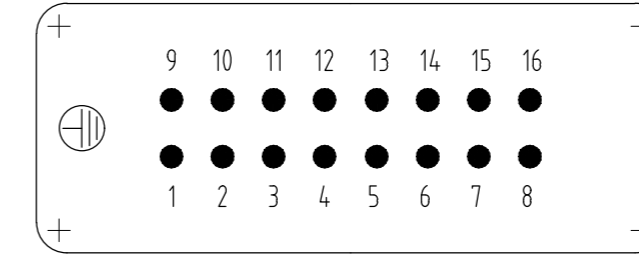


Printing 17-32

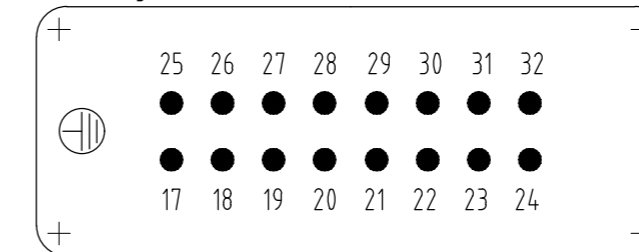


Contact arrangement view from termination side

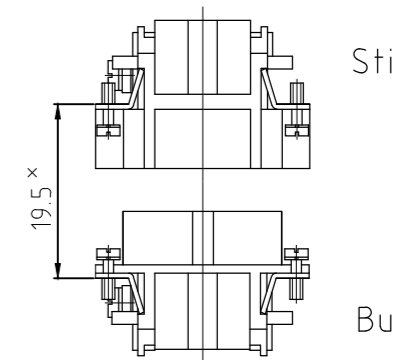
Printing 1-16



Printing 17-32



assembly directions

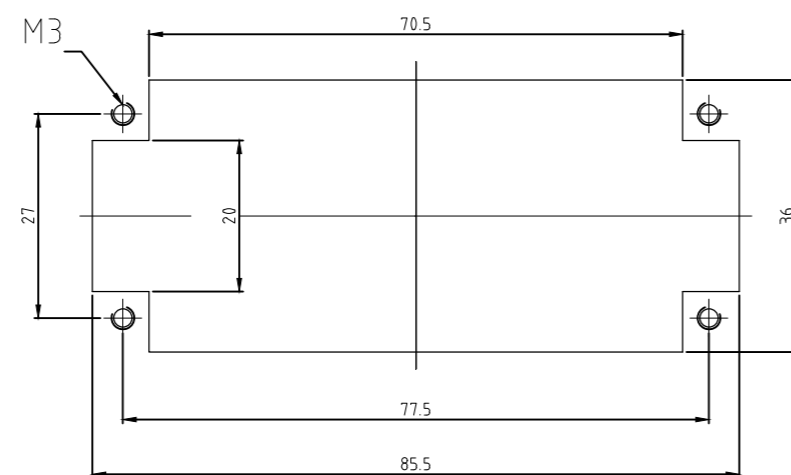


X distance for a safe contact max: max: 21 mm

NOTES:

- SUITABLE CRIMP CONTACTS: SERIES HE/HA  
OUTER DIMENSIONS OF INSULATION: MAX. Ø3,2 mm
- SUITABLE HOOD SIZE 6; 10; SERIES HB; HD;HIP,EMV  
SUITABLE INSERTION AND EXTRACTION TOOL:  
SCREWDRIVER 0,5x3 DIN 5264
- Strip lenght: Screw conection 10mm  
Spring clamp conection 10mm Crimp conection 7.5mm
- STANDARDS:  
DIN EN 61984; DIN EN 60664-1
- PACKAGING:  
5 SETS IN A CARTON, PRE-MOUNTED
- SPECIAL PACKAGING: Krauss-Maffei  
PACKAGING UNIT: 200 PIECES

Panel cut-out for contact insert when used without housing



|                       |          |   |   |   |   |   |   |   |   |   |   |
|-----------------------|----------|---|---|---|---|---|---|---|---|---|---|
| HE.16.Bu.S.B1-16-KM   | OBSOLETE | 1 | 1 | 1 | 1 | 1 | 1 | 1 | 1 | 1 | 1 |
| HE.16.Bu.S.-T.B.8+4+4 | OBSOLETE | 1 | 1 | 1 | 1 | 1 | 1 | 1 | 1 | 1 | 1 |
| HE.16.Bu.S.B1-16-AU   | OBSOLETE | 1 | 1 | 1 | 1 | 1 | 1 | 1 | 1 | 1 | 1 |
| HE.16.Bu.S.C.B.17-32  | OBSOLETE | 1 | 1 | 1 | 1 | 1 | 1 | 1 | 1 | 1 | 1 |
| HE.16.Bu.S.C.B.1-16   | OBSOLETE | 1 | 1 | 1 | 1 | 1 | 1 | 1 | 1 | 1 | 1 |
| HE.16.Bu.C.B.1-16     | OBSOLETE | 1 | 1 | 1 | 1 | 1 | 1 | 1 | 1 | 1 | 1 |
| HE.16.Bu.S.B.17-32    | OBSOLETE | 1 | 1 | 1 | 1 | 1 | 1 | 1 | 1 | 1 | 1 |
| HE.16.Bu.S.T.B.1-16   | OBSOLETE | 1 | 1 | 1 | 1 | 1 | 1 | 1 | 1 | 1 | 1 |
| HE.16.Bu.S.B.1-16     | OBSOLETE | 1 | 1 | 1 | 1 | 1 | 1 | 1 | 1 | 1 | 1 |

| DESCRIPTION / BENENNUNG  | MATERIAL | COLOR / FARBE | ITEM NO. POS. | REMARKS / BEMERKUNGEN |
|--------------------------|----------|---------------|---------------|-----------------------|
| Deckel Federklemmversion |          | lichtgrau     | 4             |                       |
| Deckel Crimpversion      |          | lichtgrau     | 3             |                       |
| Deckel Schraubversion    |          | lichtgrau     | 2             |                       |
| Buchseneinsatz           |          | lichtgrau     | 1             |                       |

|  |  |                    |                               |
|--|--|--------------------|-------------------------------|
| THIS DRAWING IS A CONTROLLED DOCUMENT.<br>DIESE ZEICHNUNG IST EIN KONTROLLIERTES DOKUMENT. |  | DWN 08.02.2000     |                               |
| DIMENSIONS: MASSENHEITEN mm  |  | CHK 08.02.2000     |                               |
| TOLERANCES UNLESS OTHERWISE SPECIFIED: ALLGEMEINTOLERANZEN                                 |  | APVD -             | NAME                          |
| 0 PLC ±  |  | PRODUCT SPEC       | Female insert<br>HE.16.BU.C/S |
| 1 PLC ±  |  | PRODUKTSPEZ.       |                               |
| 2 PLC ±  |  | APPLICATION SPEC.  | SIZE                          |
| 3 PLC ±  |  | VERARBEITUNGSSPEZ. | CAGE CODE                     |
| 4 PLC ±  |  | WEIGHT             | DRAWING NO.                   |
| ANGLES / WINKEL ±  |  | GEWICHT            | ZEICHNUNGS-NR.                |
| FINISH / OBERFLAECHE / FARBE   |  | SCALE              | RESTRICTED TO NUR FUER        |
|  |  | MATERIAL           | SCALE 1:1                     |
|  |  |                    | SHEET 1 von 1                 |
|  |  |                    | REV C10                       |

## X-ON Electronics

Largest Supplier of Electrical and Electronic Components

*Click to view similar products for [Heavy Duty Power Connectors](#) category:*

*Click to view products by [TE Connectivity](#) manufacturer:*

Other Similar products are found below :

[647757-1](#) [6643411-1](#) [6646058-2](#) [6646137-1](#) [6646138-1](#) [6646479-1](#) [6646608-1](#) [6646786-1](#) [6646940-1](#) [6651091-1](#) [6651525-1](#) [6651529-1](#)  
[6651788-1](#) [696475-1](#) [702-32-01109](#) [703-25-02205](#) [73000005059](#) [73000005642](#) [73080255059](#) [73080965046](#) [765-15-0080A](#) [765-16-0080B](#)  
[765-18-0080D](#) [829992-1](#) [902-77-02113](#) [PS00/A0620/6300](#) [PS25/A0420/63](#) [129-1J](#) [1409400](#) [AN0024023](#) [E6374G1](#) [e6389g2](#) [157-43GW8](#)  
[MS3117-14AC](#) [1643543-1](#) [1650540-1](#) [1651811-2](#) [1766260-1](#) [1766282-1](#) [1766966-1](#) [1791340000](#) [NLDFT-3-BL-L-S120-M40A](#) [NLDFT-N-](#)  
[W-L-C240-M40B](#) [NLS-2-R-C240-M40B](#) [NLS-N-W-C240-M40B](#) [NPS-3-BL-T6](#) [1986615-1](#) [2-1589900-8](#) [2199314-1](#) [KA8102](#)