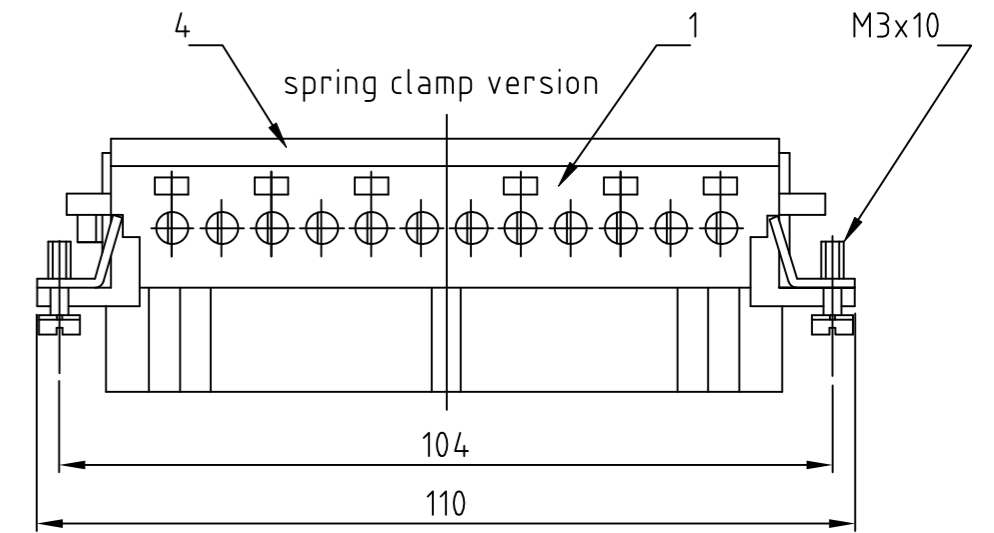
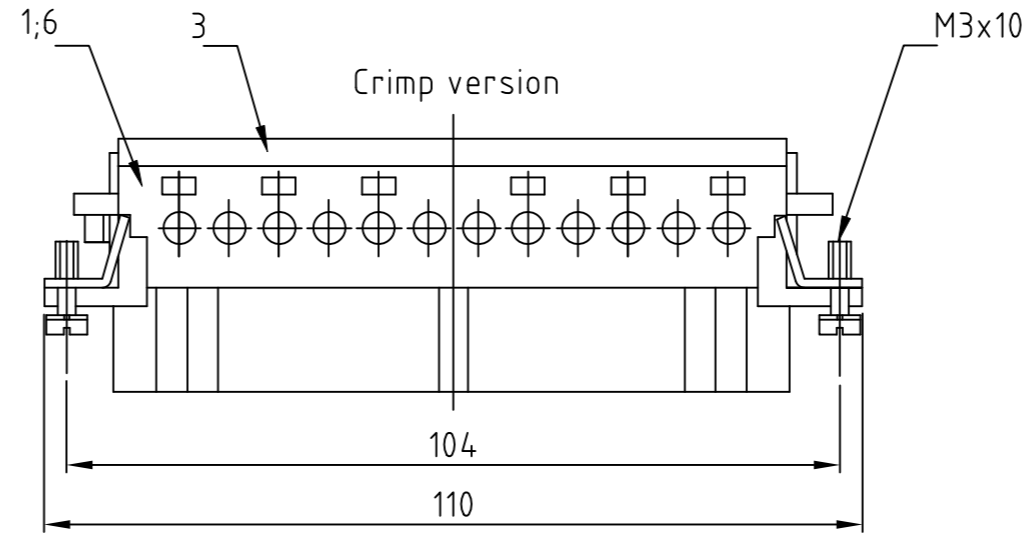
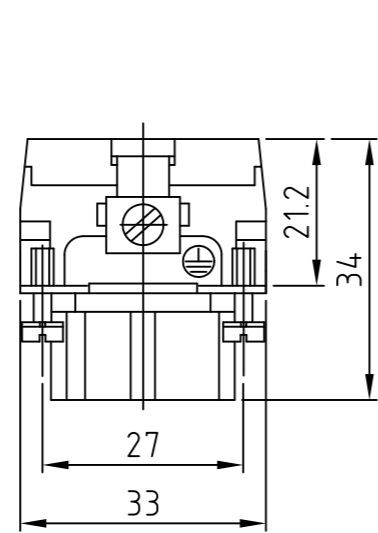
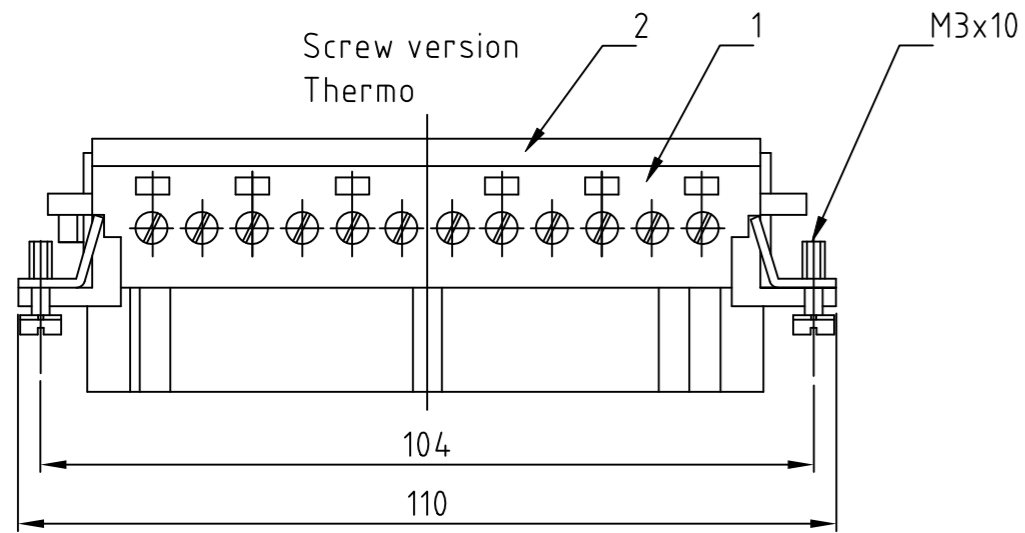


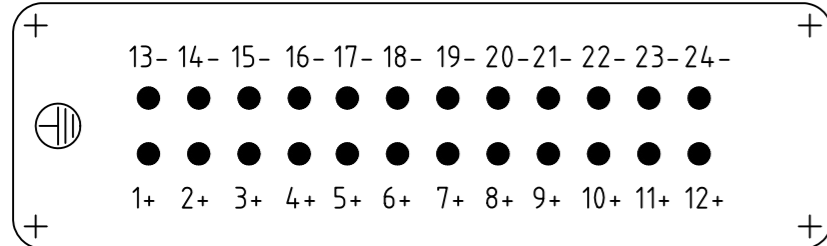
THIS DRAWING IS UNPUBLISHED. RELEASED FOR PUBLICATION. ALL RIGHTS RESERVED.

REVISIONS					
P	LTR	DESCRIPTION	DATE	DWN	APVD
	E4	ECR-17-009069	12FEB2018	SG	MKO

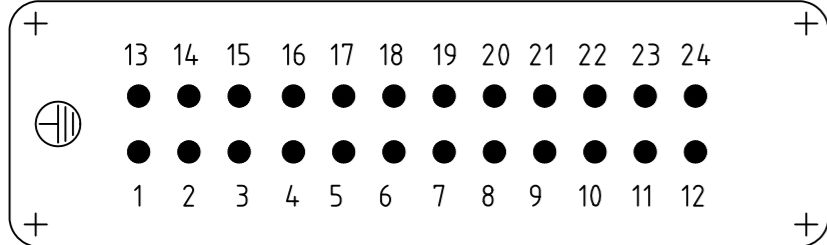


Contact arrangement view from termination side

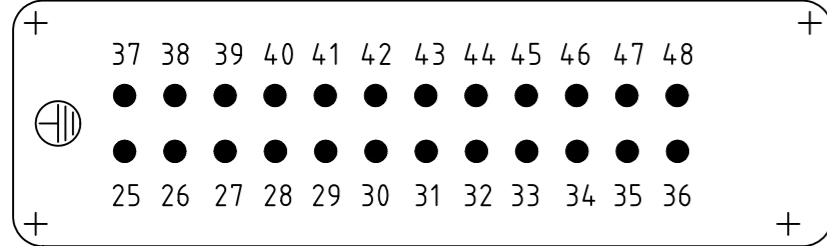
Printing 1-24 Thermo



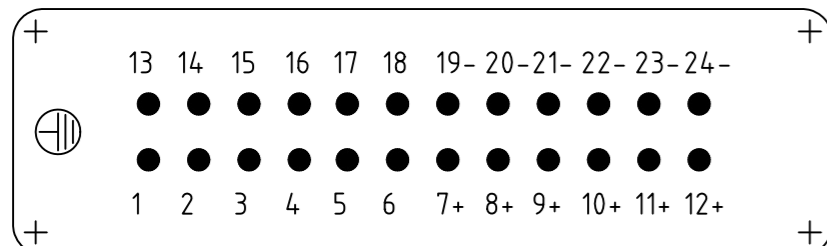
Printing 1-24 Screw



Printing 25-48 Screw

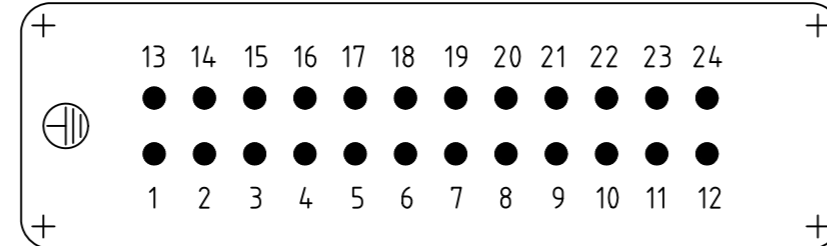


Printing 12+6+6 Screw/Thermo

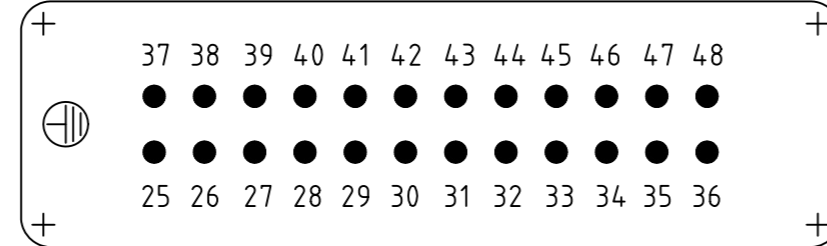


Contact arrangement view from termination side

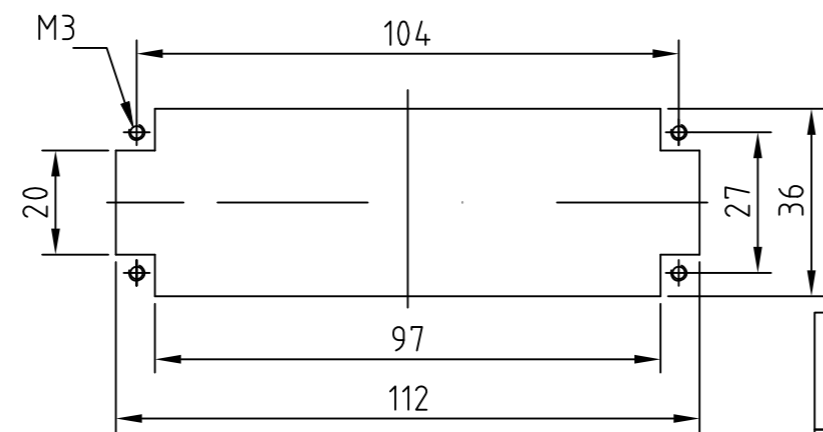
Printing 1-24



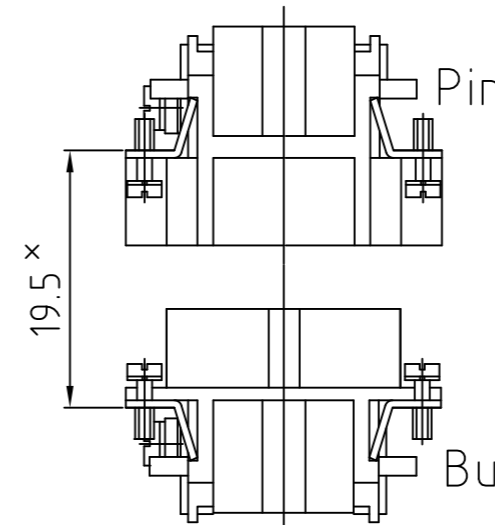
Printing 25-48



Panel cut-out for contact insert when used without housing



assembly directions



x distance for a safe contact max: max: 21 mm

NOTES:

- SUITABLE CRIMP CONTACTS: SERIES HE/HA OUTER DIMENSIONS OF INSULATION: MAX.  $\phi 3,2$  MM
- SUITABLE HOOD SIZE 8; 12: SERIES HB; HD; HIP; EMV SUITABLE INSERTION AND EXTRACTION TOOL: SCREWDRIVER 0,5x3 DIN 5264
- Strip lenght: Screw conection 10mm Spring clamp conection 10mm Crimp conection 7.5mm
- STANDARDS: DIN EN 61984; DIN EN 60664-1
- PACKAGING: 5 SETS IN A CARTON, PRE-MOUNTED
- SPECIAL PACKAGING: Krauss-Maffei PACKAGING UNIT: 220 PIECES

ITEM NO.	DESCRIPTION / BENENNUNG	MATERIAL	COLOR / FARBE	ITEM NO. POS.
1	Socket contact		light grey	5
1	Deckel Federklemmversion		light grey	4
1	Crimp Crimp version		light grey	3
1	Cover screw version		light grey	2
1	Buchseinsatz		light grey	1

HE-24-BU-S-B1-24-KM	OBSOLETE	1		
HE-24-BU-C-3-B1-24	OBSOLETE	1		
HE-24-BU-SC-AU-B1-24	OBSOLETE	1		
HE-24-BU-S-T-B12+6+6		1		
HE-24-BU-S-AU-B25-48		1		
HE-24-BU-S-AU-B1-24		1		
HE-24-BU-SC-B-25-48		1		
HE-24-BU-SC-B1-24		1		
HE-24-BU-C-B-25-48		1		
HE-24-BU-C-B1-24		1		
HE-24-BU-S-B-25-48		1		
HE-24-BU-S-T		1		
HE-24-BU-S-B1-24		1		

THIS DRAWING IS A CONTROLLED DOCUMENT.		DWN Schneider 08.02.2000		TE Connectivity
DIMENSIONS: mm		CHK Schweiger 08.02.2000		
TOLERANCES UNLESS OTHERWISE SPECIFIED:		NAME		
0 PLC	±0.1	Female insert		
1 PLC	±0.05	HE.24.BU.S/C		
2 PLC	±0.02	-		
3 PLC	±0.01	-		
4 PLC	±0.005	-		
ANGLES	±0.1	-		
MATERIAL		SIZE A2		
FINISH		CAGE CODE 00779		
ORDERING TEXT / BESTELLTEXT		DRAWING NO. C=1103641		
-		RESTRICTED TO		
-		CUSTOMER DRAWING		
-		SCALE 1:1		
-		SHEET 1 of 1		
-		REV E4		

## X-ON Electronics

Largest Supplier of Electrical and Electronic Components

*Click to view similar products for [Heavy Duty Power Connectors](#) category:*

*Click to view products by [TE Connectivity](#) manufacturer:*

Other Similar products are found below :

[6646058-2](#) [6646137-1](#) [6646138-1](#) [6646940-1](#) [6651091-1](#) [6651525-1](#) [6651529-1](#) [696475-1](#) [702-32-01109](#) [73080255059](#) [73080965046](#)  
[7310205040001](#) [765-16-0080B](#) [765-18-0080D](#) [902-77-02113](#) [PS00/A0620/6300](#) [AN0024023](#) [154-42B7WM250](#) [MS3117-14AC](#) [1643543-1](#)  
[1766966-1](#) [1791340000](#) [NLDFT-3-BL-L-S120-M40A](#) [NLDFT-N-W-L-C240-M40B](#) [1926015-1](#) [NLS-3-BL-C240-M40B](#) [NLS-N-W-C240-](#)  
[M40B](#) [NPS-3-BL-T6](#) [2-1589900-8](#) [9300480317](#) [294-0091-01100](#) [296-0040-01100](#) [1-6609148-0](#) [A32595-0049](#) [1766249-1](#) [19000005132](#)  
[1926016-1](#) [1-966831-8](#) [AN0024202](#) [AN0264023](#) [279-0841-10100A](#) [281-0334-00100A](#) [RMSB4](#) [419-2083-301](#) [LCDX4/0-14B-X](#) [075-8519-](#)  
[001](#) [078238-1613](#) [07.470.3256.0](#) [09000005288](#) [09140240311](#)