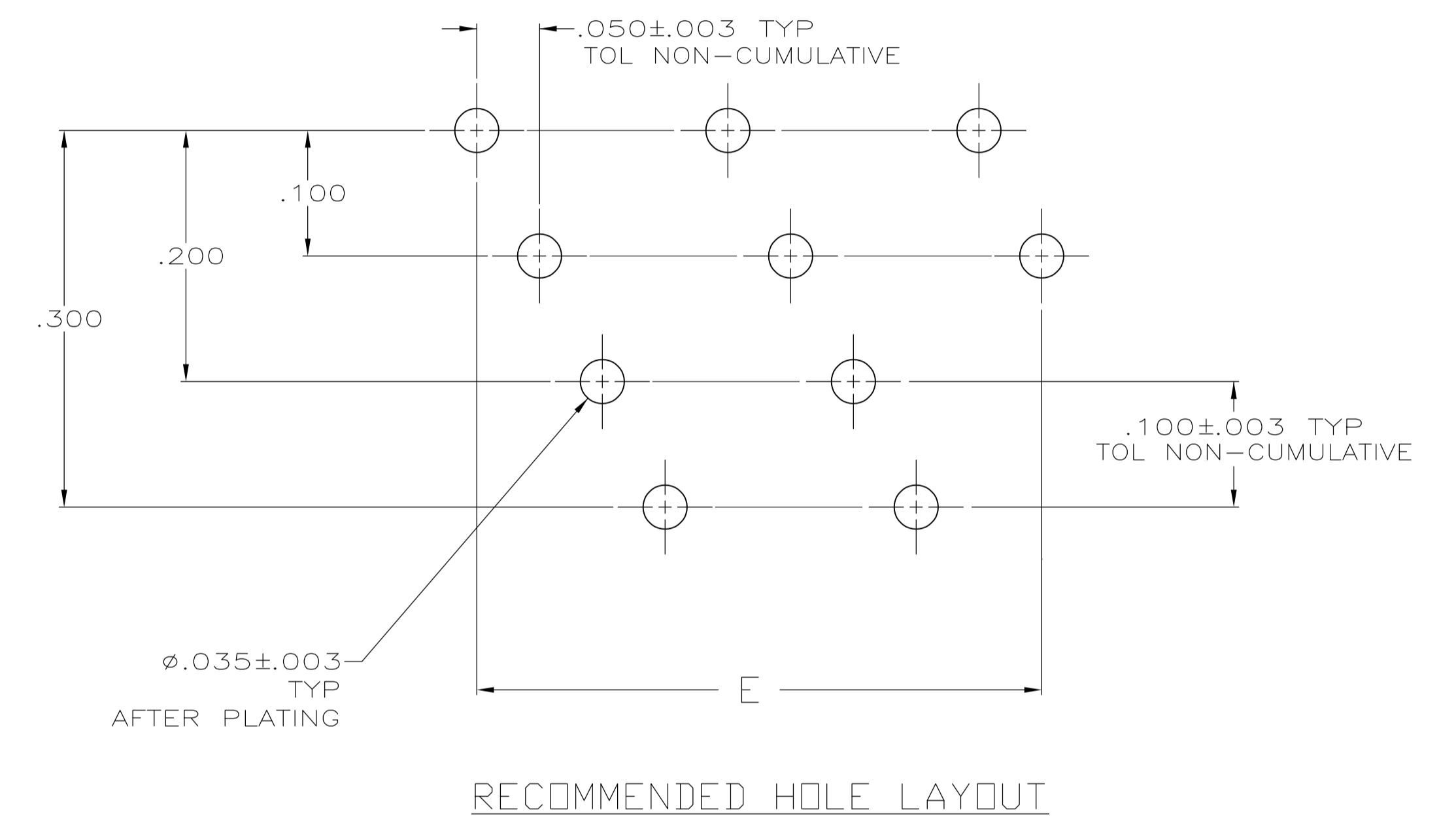
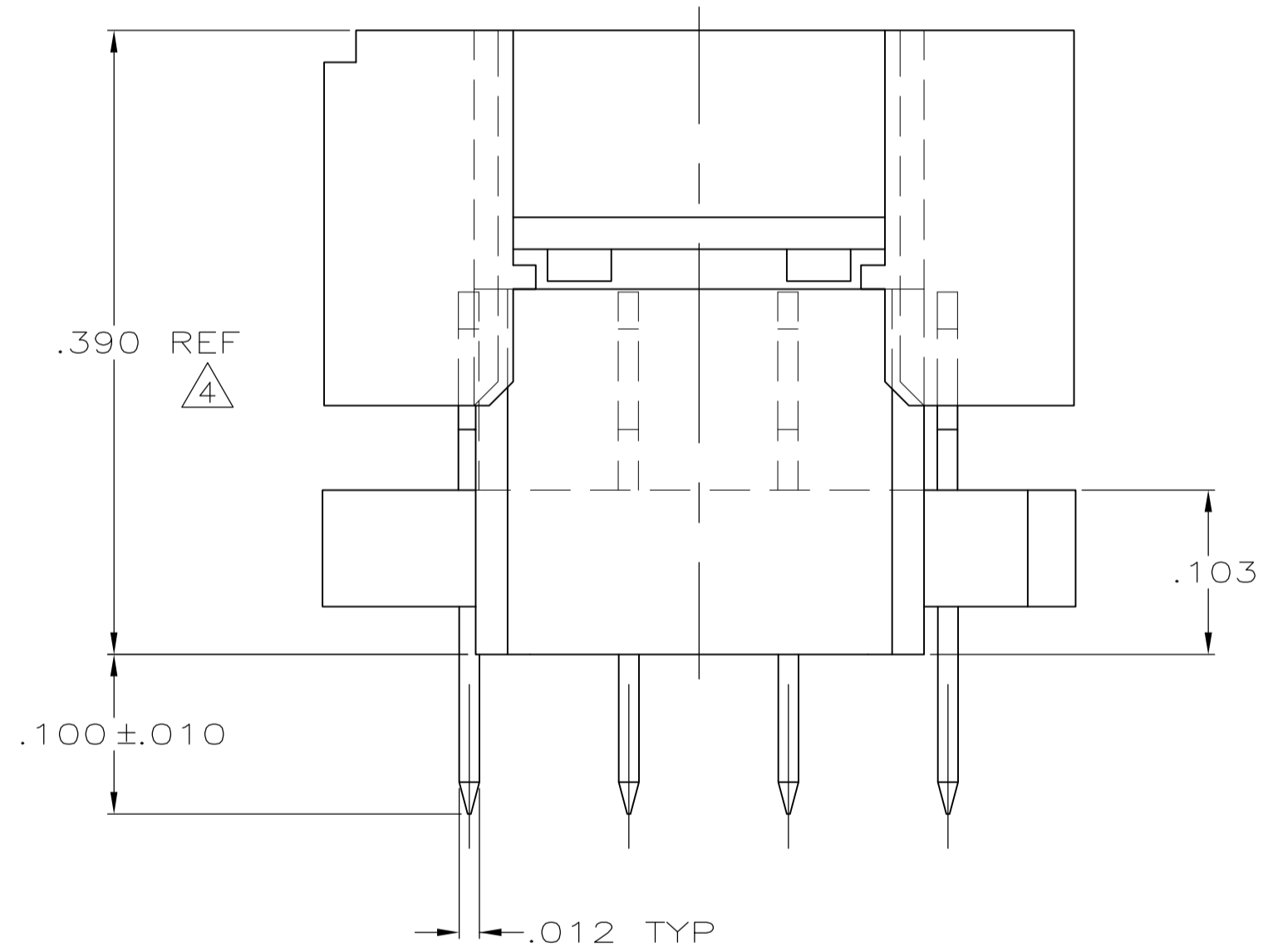
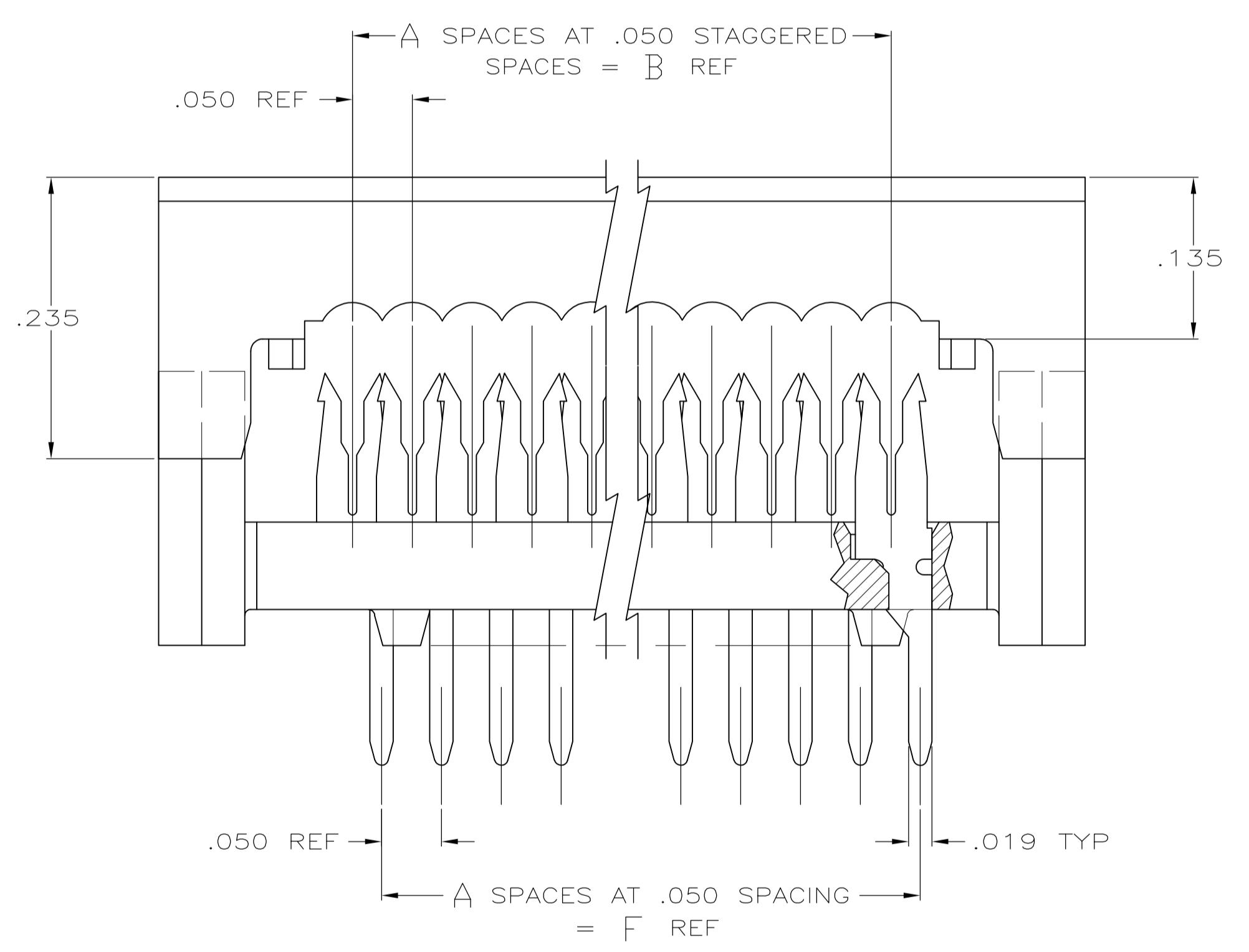
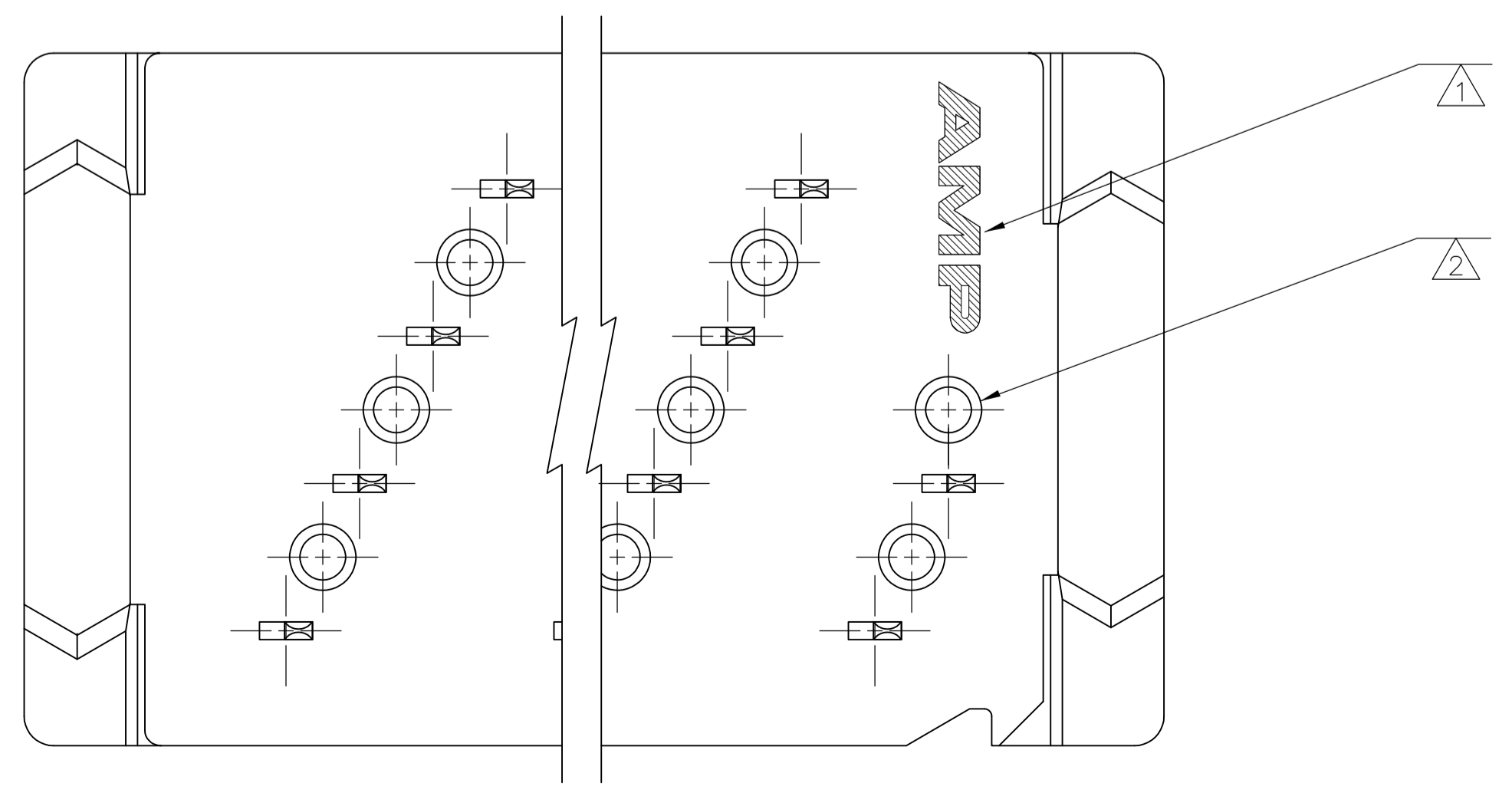


- 1 AMP TRADEMARK LOCATED IN APPROX AREA SHOWN.
- 2 STANDOFFS: POSN 10 (8) STANDOFFS, 3 PER DIAGONAL ROW.
 POSN 14 (11) STANDOFFS, 3 PER DIAGONAL ROW.
 POSN 18 (14) STANDOFFS, 3 PER DIAGONAL ROW.
 POSN 22 (17) STANDOFFS, 3 PER DIAGONAL ROW.
 POSN 26 (20) STANDOFFS, 3 PER DIAGONAL ROW.
 POSN 30 (23) STANDOFFS, 3 PER DIAGONAL ROW.
 POSN 34 (26) STANDOFFS, 3 PER DIAGONAL ROW.
 POSN 38 (29) STANDOFFS, 3 PER DIAGONAL ROW.
 POSN 42 (32) STANDOFFS, 3 PER DIAGONAL ROW.
 POSN 46 (35) STANDOFFS, 3 PER DIAGONAL ROW.
 POSN 50 (38) STANDOFFS, 3 PER DIAGONAL ROW.
 POSN 54 (41) STANDOFFS, 3 PER DIAGONAL ROW.
 POSN 58 (44) STANDOFFS, 3 PER DIAGONAL ROW.
- 3 FINISH: BRIGHT TIN-LEAD .000100-.000200 THK OVER NICKEL .000050 MIN THK.
- 4 HEIGHT AFTER TERMINATION IS .238 REF.
- 5 FINISH: BRIGHT TIN .000100-.000200 THK OVER NICKEL .000050 MIN THK.



	F	E	D	C	B	A	NO OF POSN	PART NUMBER
5	2.450	2.450	2.774	2.450	2.450	49	50	6-111037-1
5	1.650	1.650	1.974	1.650	1.650	33	34	5-111037-7
5	1.450	1.450	1.774	1.450	1.450	29	30	5-111037-6
5	1.250	1.250	1.574	1.250	1.250	25	26	5-111037-5
5	.650	.650	.974	.650	.650	13	14	5-111037-2
5	.450	.450	.774	.450	.450	9	10	5-111037-1
OBSOLETE	2.850	2.850	3.174	2.850	2.850	57	58	1-111037-3
OBSOLETE	2.650	2.650	2.974	2.650	2.650	53	54	1-111037-2
3	2.450	2.450	2.774	2.450	2.450	49	50	1-111037-1
OBSOLETE	2.250	2.250	2.574	2.250	2.250	45	46	1-111037-0
OBSOLETE	2.050	2.050	2.374	2.050	2.050	41	42	111037-9
OBSOLETE	1.850	1.850	2.174	1.850	1.850	37	38	111037-8
3	1.650	1.650	1.974	1.650	1.650	33	34	111037-7
3	1.450	1.450	1.774	1.450	1.450	29	30	111037-6
3	1.250	1.250	1.574	1.250	1.250	25	26	111037-5
OBSOLETE	1.050	1.050	1.374	1.050	1.050	21	22	111037-4
OBSOLETE	.850	.850	1.174	.850	.850	17	18	111037-3
3	.650	.650	.974	.650	.650	13	14	111037-2
3	.450	.450	.774	.450	.450	9	10	111037-1
FINISH	F	E	D	C	B	A	NO OF POSN	PART NUMBER



THIS DRAWING IS A CONTROLLED DOCUMENT. DIN J. PEACHEY 05-MAR-86

APPROVED BY: M. SCULLY 23-MAY-86

APPROVED BY: D. HOFFMAN 23-MAY-86

NAME: KIT, AMP-LATCH PADDLEBOARD PREASSEMBLED, .100 LONG POSTS SHORT END, FULL TIN PLATED CONTACTS

APPLICATION SPEC: 114-40005

SIZE: A1

WEIGHT: -

CAGE CODE: 100779

DRAWING NO: 111037

RESTRICTED TO: -

MATERIAL: MOLDED PARTS: 94V-0 RATED THERMOPLASTIC, COLOR BLACK CONTACTS: PH BRZ PER QQ-B-750

FINISH: CONTACTS

CUSTOMER DRAWING

SCALE: 10:1 SHEET 1 OF 1 REV J

X-ON Electronics

Largest Supplier of Electrical and Electronic Components

Click to view similar products for [Headers & Wire Housings](#) category:

Click to view products by [TE Connectivity](#) manufacturer:

Other Similar products are found below :

[95000-104TRLF](#) [10135584-644402LF](#) [DF62W-EP2022PCA](#) [95000-106TRLF](#) [DF62W-2022SCA](#) [DF62W-EP2022PC](#) [2203348](#) [DF62W-2022SC](#) [1084018](#) [1029039](#) [1084017](#) [802-10-012-10-002000](#) [1112640](#) [1112639](#) [000-34000](#) [0009482033](#) [0009507031](#) [57102-S06-03LF](#) [57202-S52-04LF](#) [PCN6-15S-2.5E](#) [0039019024](#) [58102-G61-06LF](#) [582553-1](#) [0009508121](#) [0050291907](#) [018731A](#) [LY20-4P-DT1-P1E-BR](#) [02.125.8002.8](#) [60101931](#) [60598-1 \(Cut Strip\)](#) [M1625-3R/100](#) [61062-3](#) [61082-181009](#) [636-1427](#) [638009-1](#) [641938-9](#) [641991-4](#) [644168-1](#) [647662-1](#) [65039-019ELF](#) [65817-002LF](#) [65817-015LF](#) [65863-015LF](#) [66207-023LF](#) [67016-026LF](#) [67046-001LF](#) [67095-007LF](#) [68002-116](#) [68016-236H](#) [68648-049](#)