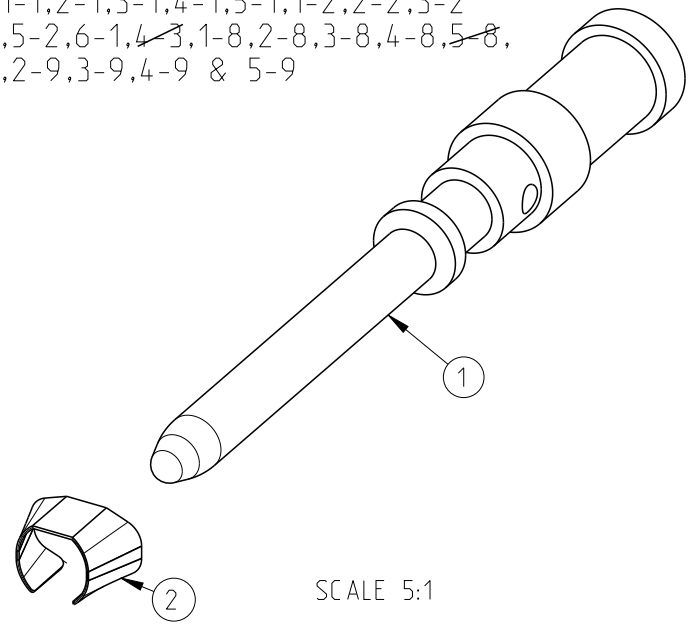


THIS DRAWING IS UNPUBLISHED. RELEASED FOR PUBLICATION 1997
 © COPYRIGHT 1997 ALL RIGHTS RESERVED.

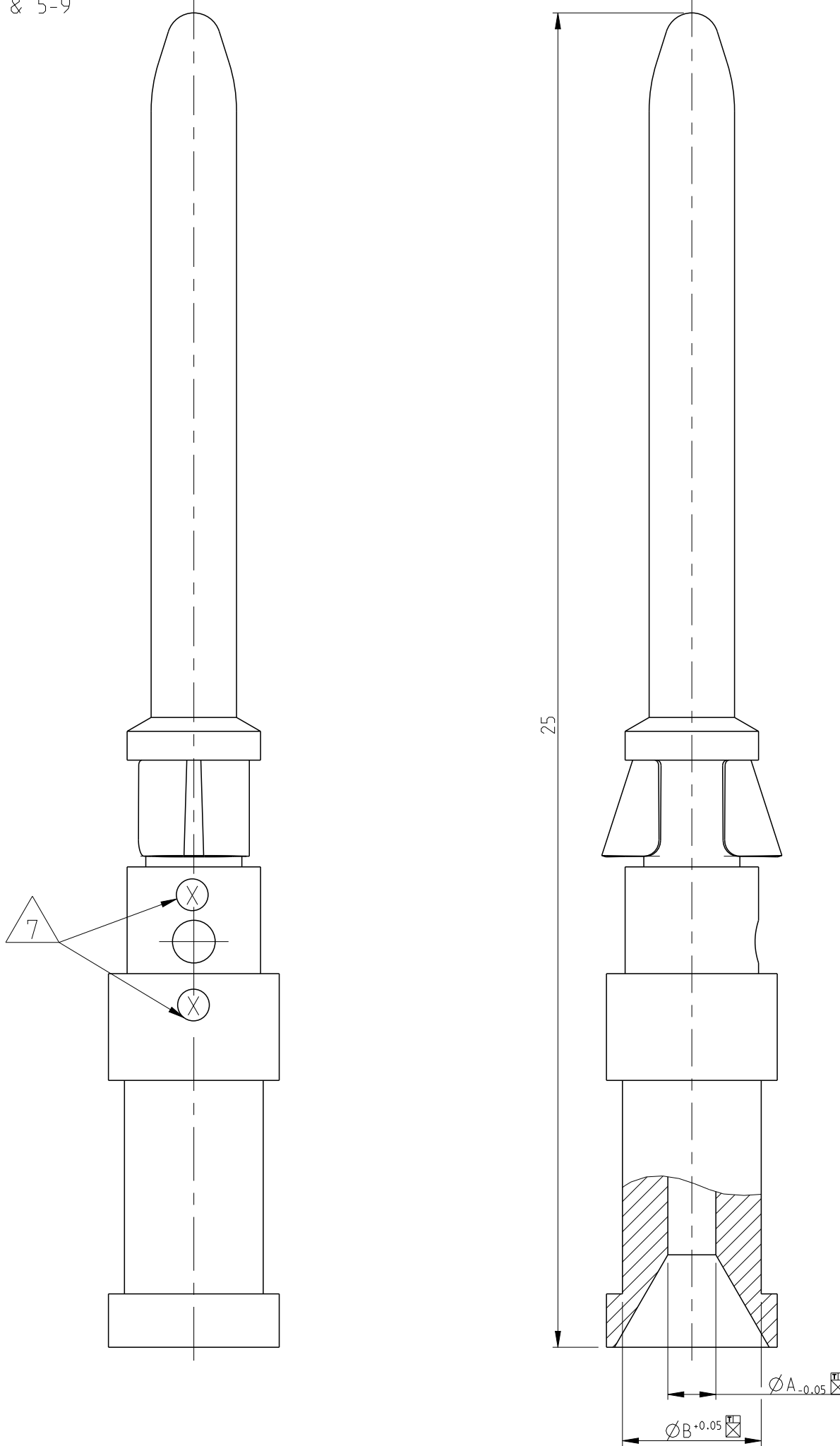
LOC		DIST		REVISIONS			
P	LTR	DESCRIPTION	DATE	DWN	APVD		
		B13	Released As per ECR-09-005436	9-Mar-2009	CJ	TS	
		B14	ECR-11-002636	05APR2011	SR	AR	
		B15	REVISED PER ECR-16-016780	19AUG2017	NG	MKO	

PN 1-1.2-1.3-1.4-1.5-1.1-2.2-2.3-2
 4-2.5-2.6-1.4-3.1-8.2-8.3-8.4-8.5-8,
 4-9.2-9.3-9.4-9 & 5-9

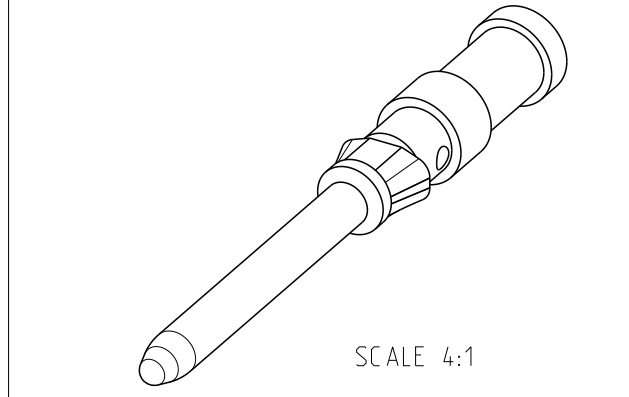


SCALE 5:1

PN 1-1.2-1.3-1.4-1.5-1.1-2.2-2.3-2
 4-2.5-2.6-1.4-3.1-8.2-8.3-8.4-8.5-8,
 4-9.2-9.3-9.4-9 & 5-9



PN 1-1.2-1.3-1.4-1.5-1.1-2.2-2.3-2
 4-2.5-2.6-1.4-3.1-8.2-8.3-8.4-8.5-8,
 4-9.2-9.3-9.4-9 & 5-9



SCALE 4:1

- NOTES
- 1 MATERIAL SEE TABLE
 - 2 SURFACE SEE TABLE
 - 3 ASSEMBLY WEIGHT SEE TABLE
 - 4 PACKAGING: 50 PIECES IN POLY-BAG 0-1243085-8
 - 5 PACKAGING: 500 PIECES IN POLY-BAG 0-1243085-8
 - 6 PACKAGING: 10 PIECES IN POLY-BAG 0-1243085-8
 - 7 CROSS-SECTION MARKING

QTY	DESCRIPTION	WEIGHT IN (KG)	MATERIAL	SURFACE	ØA	ØB	CROSS SECTION MARKING	POS
1	Catch Spring		Stainless Steel					2
1	Pin Contact 1.5 mm ²	0.00062	Ms/Brass	Ag/Ni	1.8	3.0		4
1	Pin Contact 4.0 mm ²	0.00059	Ms/Brass	Ag/Ni	2.4	3.2		6
1	Pin Contact 2.5 mm ²	0.00067	Ms/Brass	Au	2.2	3.2		5
1	Pin Contact 1.5 mm ²	0.00067	Ms/Brass	Au	1.8	3.0		4
1	Pin Contact 0.75-10 mm ²	0.00063	Ms/Brass	Au	1.45	2.6		3
1	Pin Contact 0.5 mm ²	0.00062	Ms/Brass	Au	1.1	2.6		2
1	Pin Contact 0.14-0.37 mm ²	0.00061	Ms/Brass	Au	0.9	2.6		1
1	Pin Contact 2.5 mm ²	0.00065	Ms/Brass	Ag/Cu	2.2	3.2		5
1	Pin Contact 1.5 mm ²	0.00067	Ms/Brass	Ag/Cu	1.8	3.0		4
1	Pin Contact 0.75-10 mm ²	0.00063	Ms/Brass	Ag/Cu	1.45	2.6		3
1	Pin Contact 0.5 mm ²	0.00062	Ms/Brass	Ag/Cu	1.1	2.6		2
1	Pin Contact 0.14-0.37 mm ²	0.00061	Ms/Brass		0.9	2.6		1
1	Pin Contact 0.14-0.37 mm ²	0.00065	Fe	Au	0.9	2.6		1
1	Pin Contact 0.14-0.37 mm ²	0.00067	Ms/Brass	Ag/Cu	0.9	2.6		1

THIS DRAWING IS A CONTROLLED DOCUMENT.

DWN Braun 23.07.1997
 CHK Schurpfeil 23.07.1997
 APVD -

NAME: PIN CONTACT SERIES HN.D

PRODUCT SPEC: 108-74018
 APPLICATION SPEC: 114-74015

SIZE: A2 CAGE CODE: 00779 DRAWING NO: C-1105050 RESTRICTED TO: -

WEIGHT: -

CUSTOMER DRAWING SCALE: 10:1 SHEET: 1 OF 1 REV: B15

X-ON Electronics

Largest Supplier of Electrical and Electronic Components

Click to view similar products for [Heavy Duty Power Connectors](#) category:

Click to view products by [TE Connectivity](#) manufacturer:

Other Similar products are found below :

[647757-1](#) [6643411-1](#) [6646058-2](#) [6646137-1](#) [6646138-1](#) [6646479-1](#) [6646608-1](#) [6646786-1](#) [6646940-1](#) [6651091-1](#) [6651525-1](#) [6651529-1](#)
[6651788-1](#) [696475-1](#) [702-32-01109](#) [703-25-02205](#) [73000005059](#) [73000005642](#) [73080255059](#) [73080965046](#) [765-15-0080A](#) [765-16-0080B](#)
[765-18-0080D](#) [829992-1](#) [902-77-02113](#) [PS00/A0620/6300](#) [PS25/A0420/63](#) [129-1J](#) [1409400](#) [AN0024023](#) [E6374G1](#) [e6389g2](#) [157-43GW8](#)
[MS3117-14AC](#) [1643543-1](#) [1650540-1](#) [1651811-2](#) [1766260-1](#) [1766282-1](#) [1766966-1](#) [1791340000](#) [NLDFT-3-BL-L-S120-M40A](#) [NLDFT-N-](#)
[W-L-C240-M40B](#) [NLS-2-R-C240-M40B](#) [NLS-N-W-C240-M40B](#) [NPS-3-BL-T6](#) [1986615-1](#) [2-1589900-8](#) [2199314-1](#) [KA8102](#)