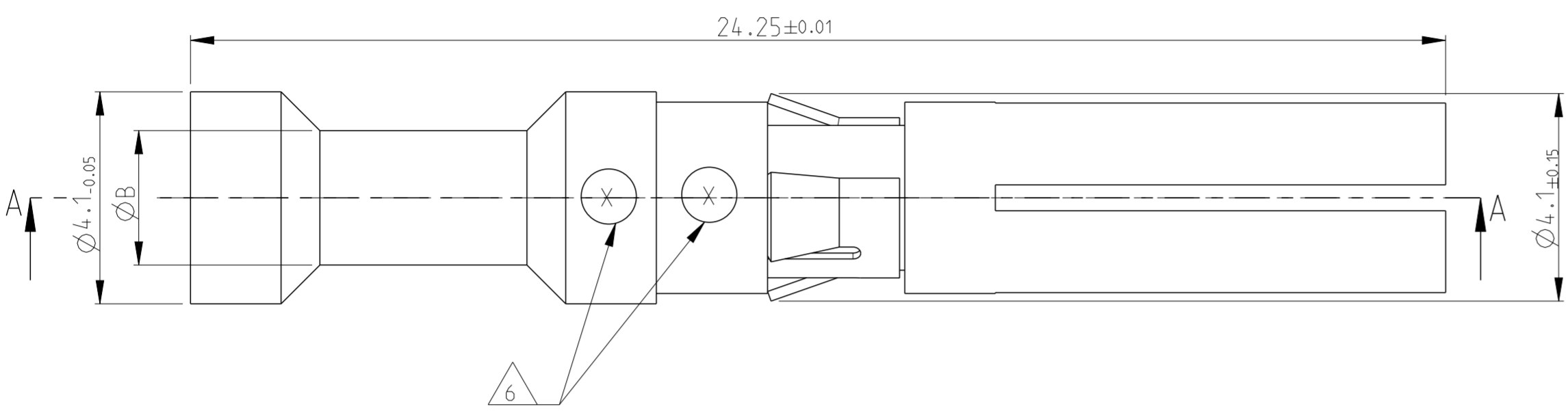


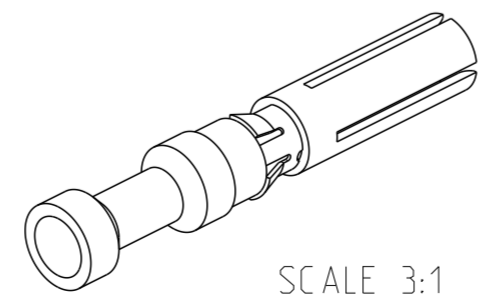
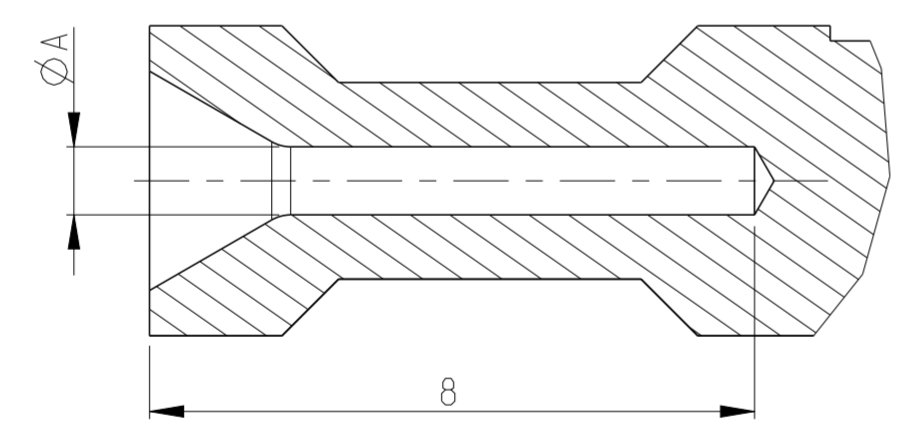
THIS DRAWING IS UNPUBLISHED. RELEASED FOR PUBLICATION
 © COPYRIGHT - ALL RIGHTS RESERVED.

LOC		DIST		REVISIONS				
P	LTR	DESCRIPTION	DATE	DWN	APVD			
A1	-	G2	REVISED PER ECO-11-005150	31MAR2011	RK	HMR		
		G3	ECR-16-016696	31AUG2017	GR	MKO		



- NOTES
- 1 MATERIAL SEE TABLE
 - 2 SURFACE SEE TABLE
 - 3 ASSEMBLY WEIGHT SEE TABLE
 - 4 PACKAGING: 50 PIECES IN POLYBAG
 - 5 PACKAGING: 500 PIECES IN POLYBAG & CARTON
 - 6 CROSS-SECTION MARKING
 - 7 NO VENTILATION HOLE REQUIRED AT CROSS SECTION >4.0mm²
 - 8 SUITABLE PIN CONTACT: PN 1105300
 - 9 SUITABLE INSERTS: SERIES HVT
 - 10 SUITABLE CRIMP TOOL: PN 1-1105851-8
 - 11 SUITABLE INSERTION TOOL: PN 0-1102855-6
 - 12 SUITABLE EXTRACTION TOOL: PN 0-1102855-3
 - 13 STANDARDS: DIN EN 61984, DIN EN 60664-1

SECTION A-A



ASSEMBLY WEIGHT IN (Kg) 3																	
0.00142	0.00144	0.00148	0.00145	0.00149	0.00150	0.00144	0.00148	0.00133	0.00142	0.00144	0.00148	0.00145	0.00149	0.00150	ITEM NO		
1	1	1	1	1	1	1	1	1	1	1	1	1	1	1	1	1	1
Socket Contact 4.0 mm ²													CuZn39Pb3 F50	GOLD PLATING	2.85	3.9	6
Socket Contact 2.5 mm ²															2.2	3.2	5
Socket Contact 1.5 mm ²													SILVER PLATING	1.8	3.0	4	
Socket Contact 0.75-1.0 mm ²														1.45	2.6	3	
Socket Contact 0.5 mm ²													1.1	2.6	2		
Socket Contact 0.13-0.4 mm ²													0.9	2.6	1		
Socket Contact 14 AWG													2.0	3.2	8		
Socket Contact 12 AWG													2.55	3.6	9		
Socket Contact 10 AWG													3.2	4.1	7		
Socket Contact 4.0 mm ²													2.85	3.9	6		
Socket Contact 2.5 mm ²													2.2	3.2	5		
Socket Contact 1.5 mm ²													1.8	3.0	4		
Socket Contact 0.75-1.0 mm ²													1.45	2.6	3		
Socket Contact 0.5 mm ²													1.1	2.6	2		
Socket Contact 0.13-0.4 mm ²													0.9	2.6	1		

5-2	4-2	3-2	2-2	1-2	6-2	8-2	9-1	7-2	5-1	4-1	3-1	2-1	1-1	6-1	DESCRIPTION	MATERIAL	SURFACE	ØA	ØB	CROSS SECTION MARKING	ITEM NO
5-2	4-2	3-2	2-2	1-2	6-2	8-2	9-1	7-2	5-1	4-1	3-1	2-1	1-1	6-1							
HVT-C-Bu-Au-4.0 mm ²	HVT-C-Bu-Au-2.5 mm ²	HVT-C-Bu-Au-1.5 mm ²	HVT-C-Bu-Au-0.75-1.0 mm ²	HVT-C-Bu-Au-0.5 mm ²	HVT-C-Bu-Au-0.13-0.4 mm ²	HVT-C-Bu-Ag-AWG-14	HVT-C-Bu-Ag-AWG-12	HVT-C-Bu-Ag-AWG-10	HVT-C-Bu-Ag-4.0 mm ²	HVT-C-Bu-Ag-2.5 mm ²	HVT-C-Bu-Ag-1.5 mm ²	HVT-C-Bu-Ag-0.75-1.0 mm ²	HVT-C-Bu-Ag-0.5 mm ²	HVT-C-Bu-Ag-0.13-0.4 mm ²							

THIS DRAWING IS A CONTROLLED DOCUMENT.

DWN: G. WROBLEWSKI 04 SEP. 2007
 CHK: T. SCHNURPFELT 04 SEP. 2007
 APVD: T. SCHNURPFELT 04 SEP. 2007

TE Connectivity

SOCKET CONTACT SERIES HVT

SIZE: A2 CAGE CODE: 100779 DRAWING NO: C-1105301 RESTRICTED TO: -

CUSTOMER DRAWING SCALE: 10:1 SHEET: 1 OF 1 REV: G3

X-ON Electronics

Largest Supplier of Electrical and Electronic Components

Click to view similar products for [Heavy Duty Power Connectors](#) category:

Click to view products by [TE Connectivity](#) manufacturer:

Other Similar products are found below :

[647757-1](#) [6643411-1](#) [6646058-2](#) [6646137-1](#) [6646138-1](#) [6646479-1](#) [6646608-1](#) [6646786-1](#) [6646940-1](#) [6651091-1](#) [6651525-1](#) [6651529-1](#)
[6651788-1](#) [696475-1](#) [702-32-01109](#) [703-25-02205](#) [73000005059](#) [73000005642](#) [73080255059](#) [73080965046](#) [765-15-0080A](#) [765-16-0080B](#)
[765-18-0080D](#) [829992-1](#) [902-77-02113](#) [PS00/A0620/6300](#) [PS25/A0420/63](#) [129-1J](#) [1409400](#) [AN0024023](#) [E6374G1](#) [e6389g2](#) [157-43GW8](#)
[MS3117-14AC](#) [1643543-1](#) [1650540-1](#) [1651811-2](#) [1766260-1](#) [1766282-1](#) [1766966-1](#) [1791340000](#) [NLDFT-3-BL-L-S120-M40A](#) [NLDFT-N-](#)
[W-L-C240-M40B](#) [NLS-2-R-C240-M40B](#) [NLS-N-W-C240-M40B](#) [NPS-3-BL-T6](#) [1986615-1](#) [2-1589900-8](#) [2199314-1](#) [KA8102](#)