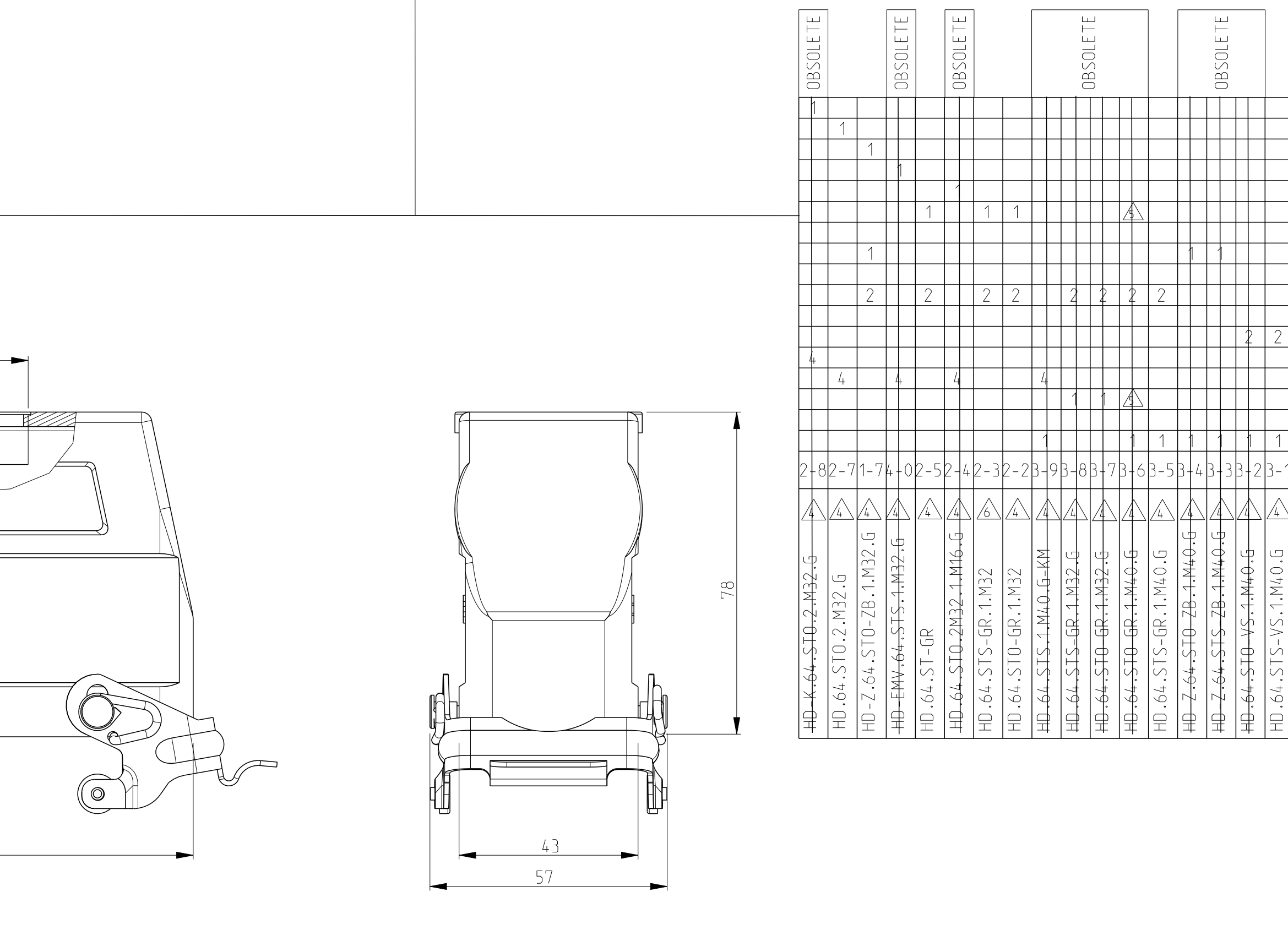
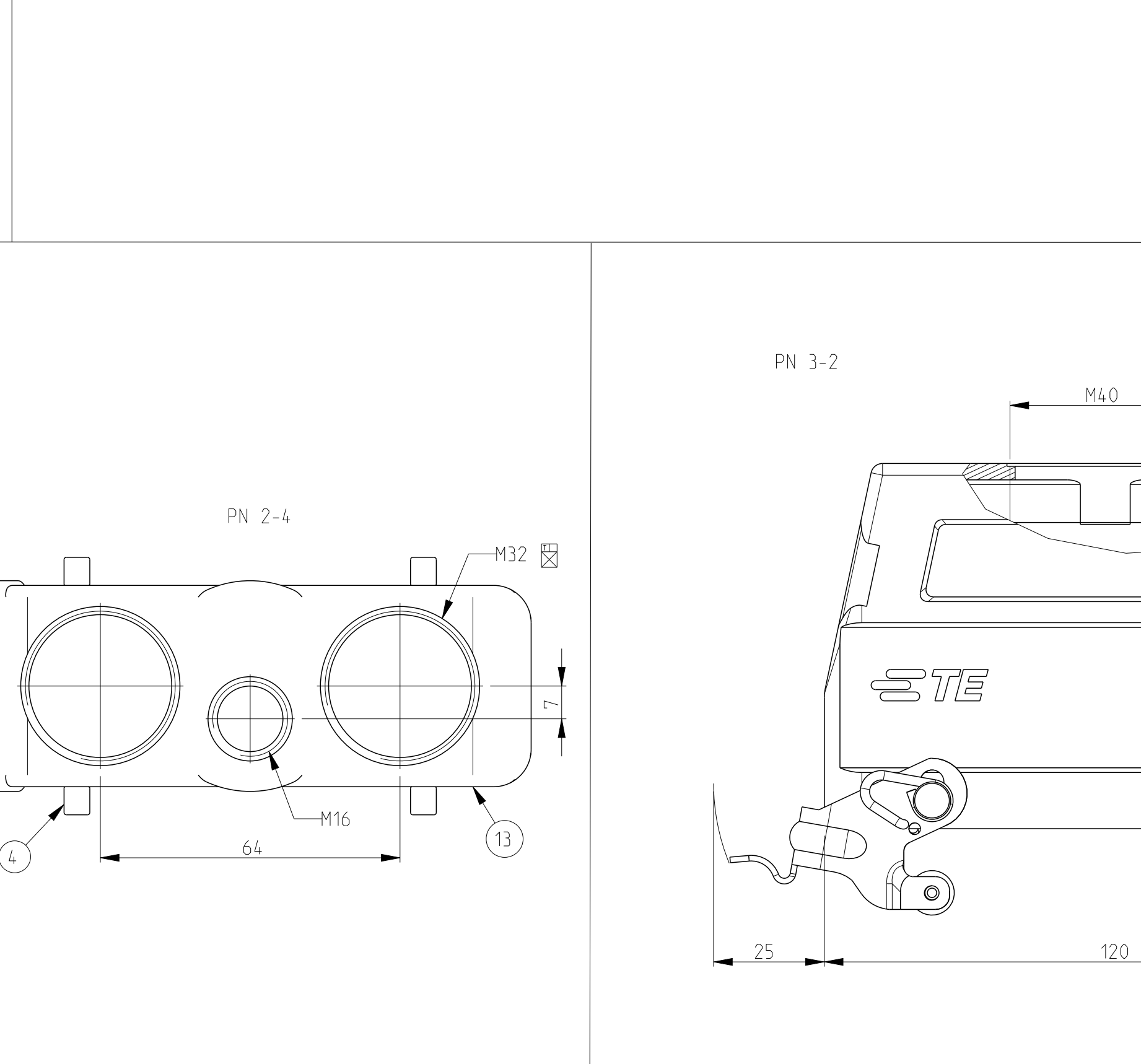
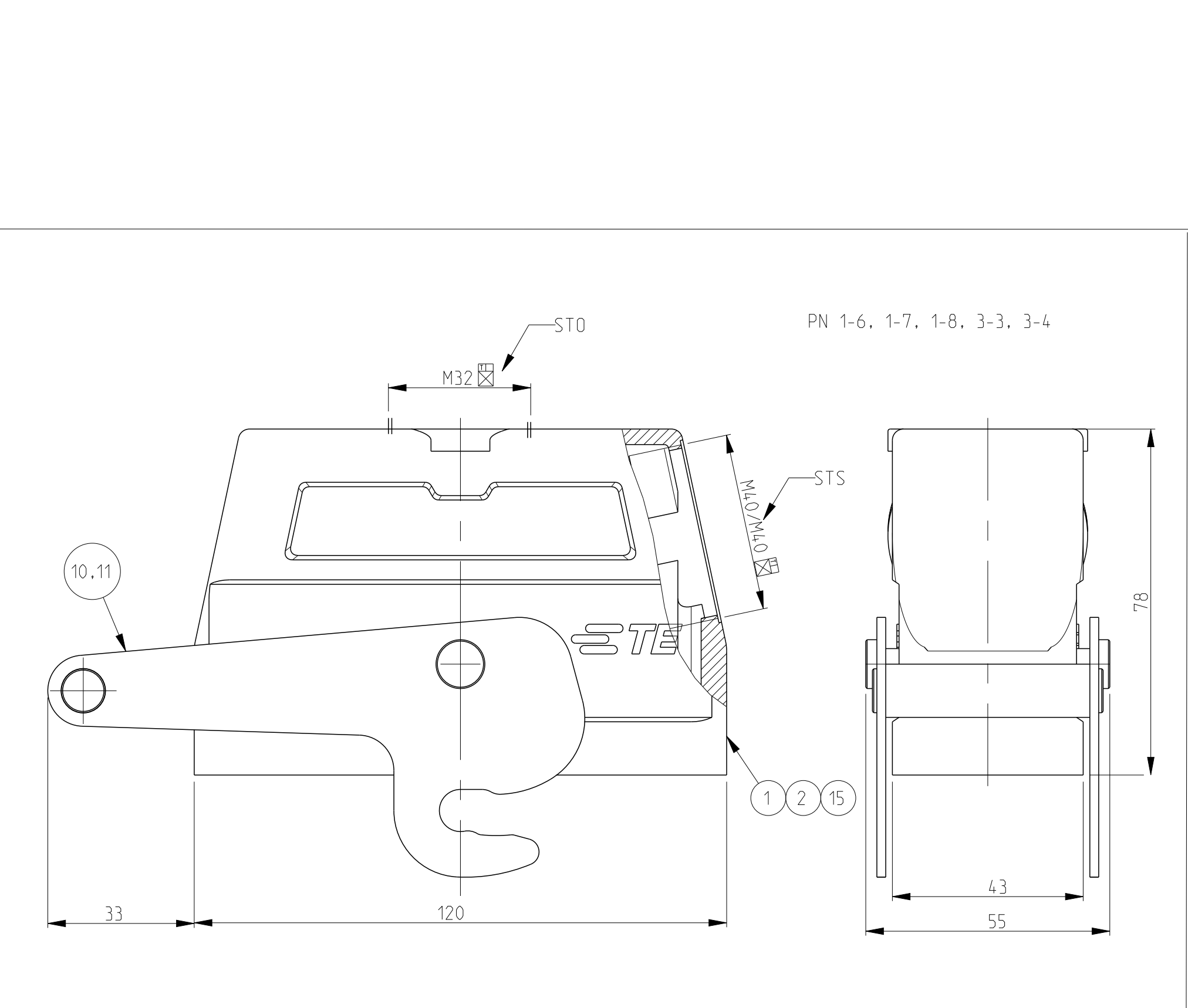
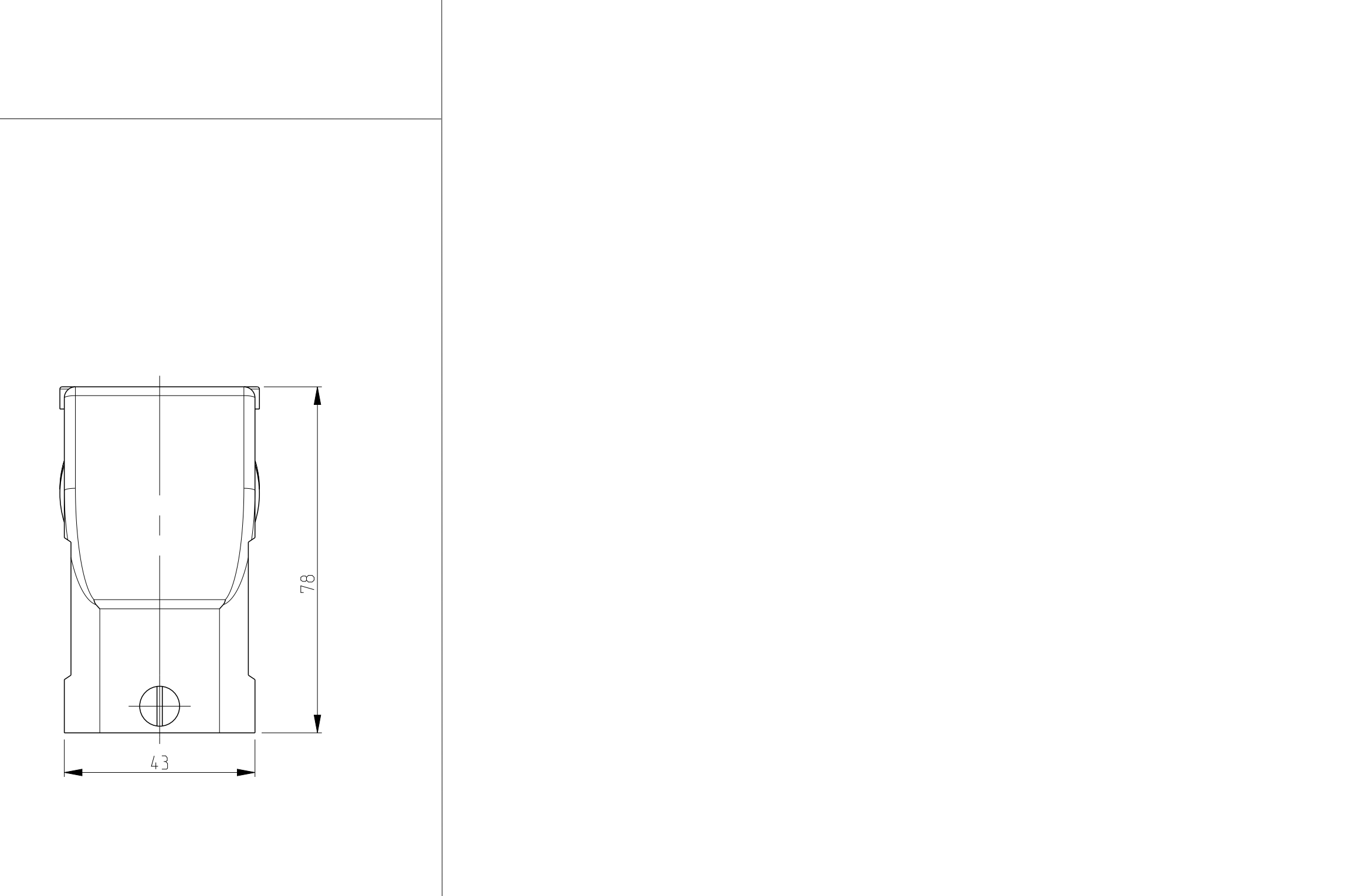
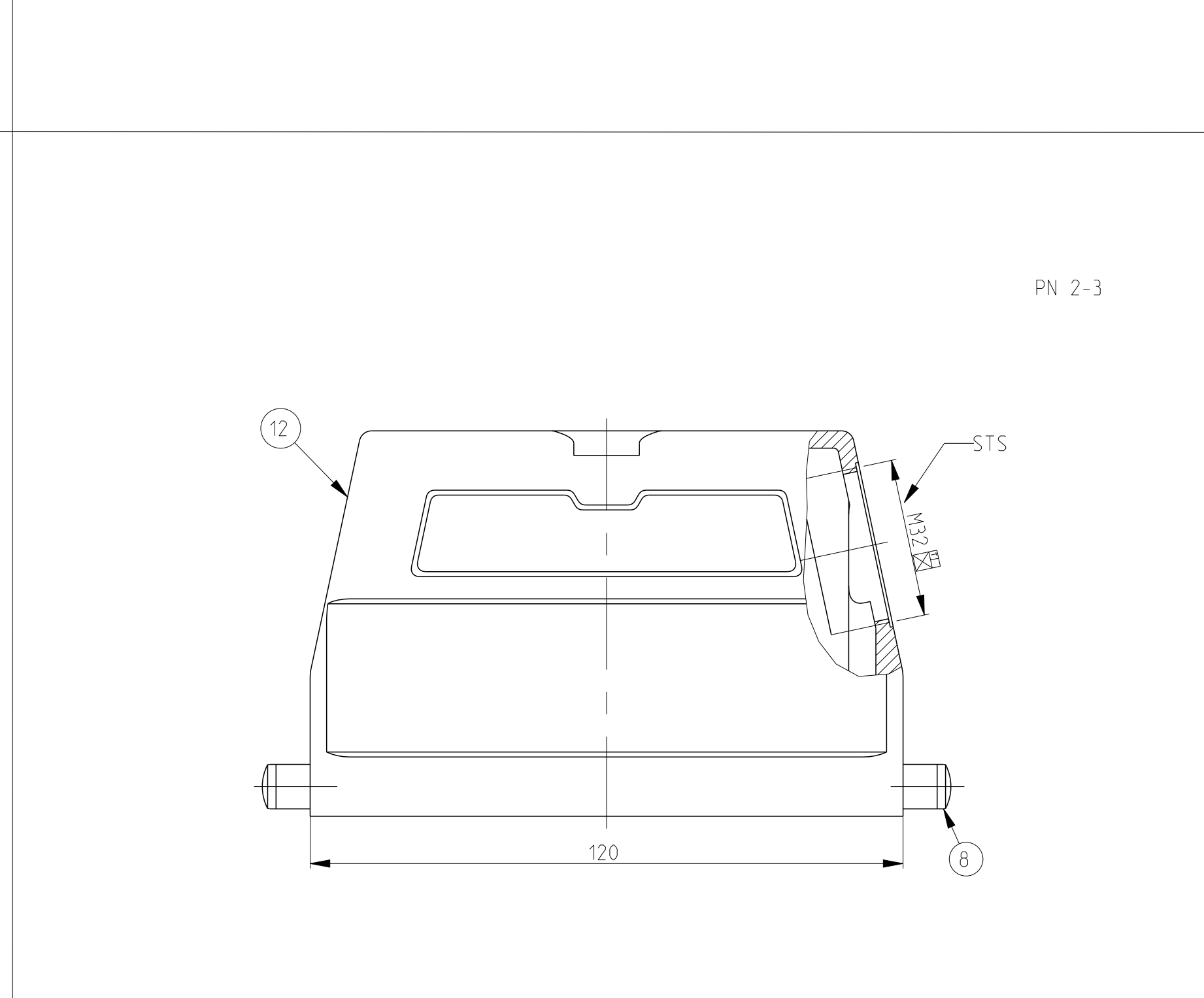
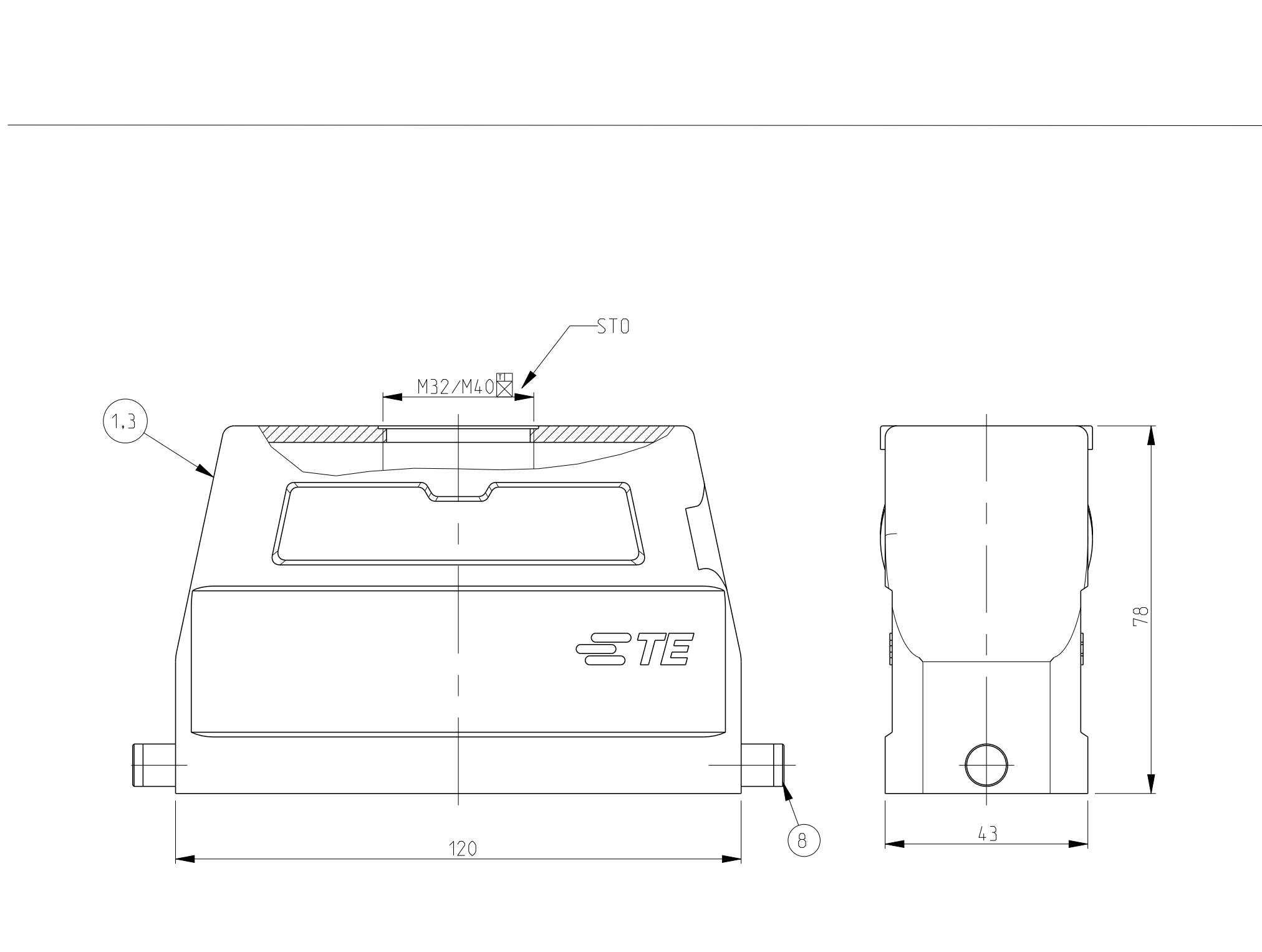
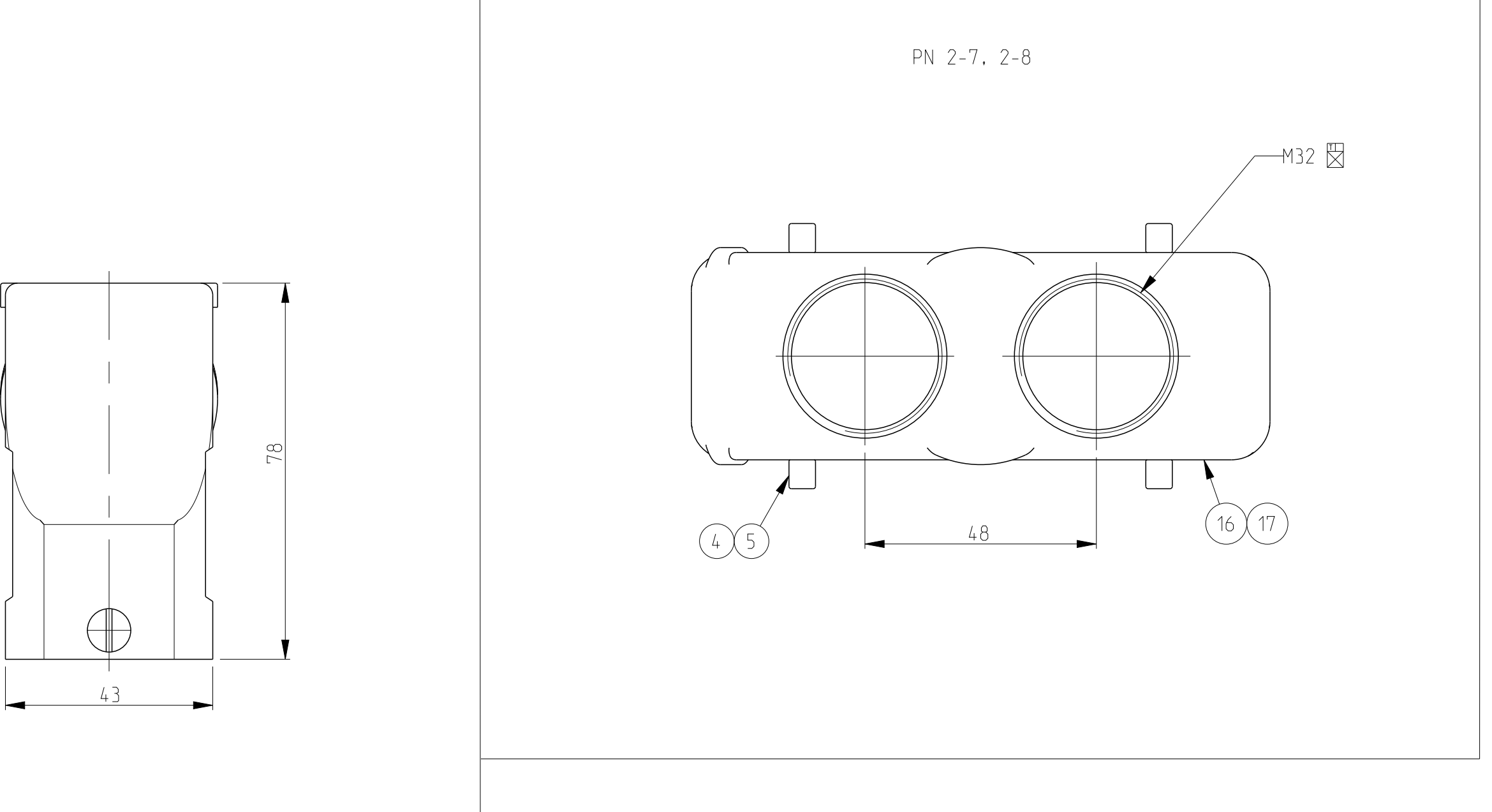
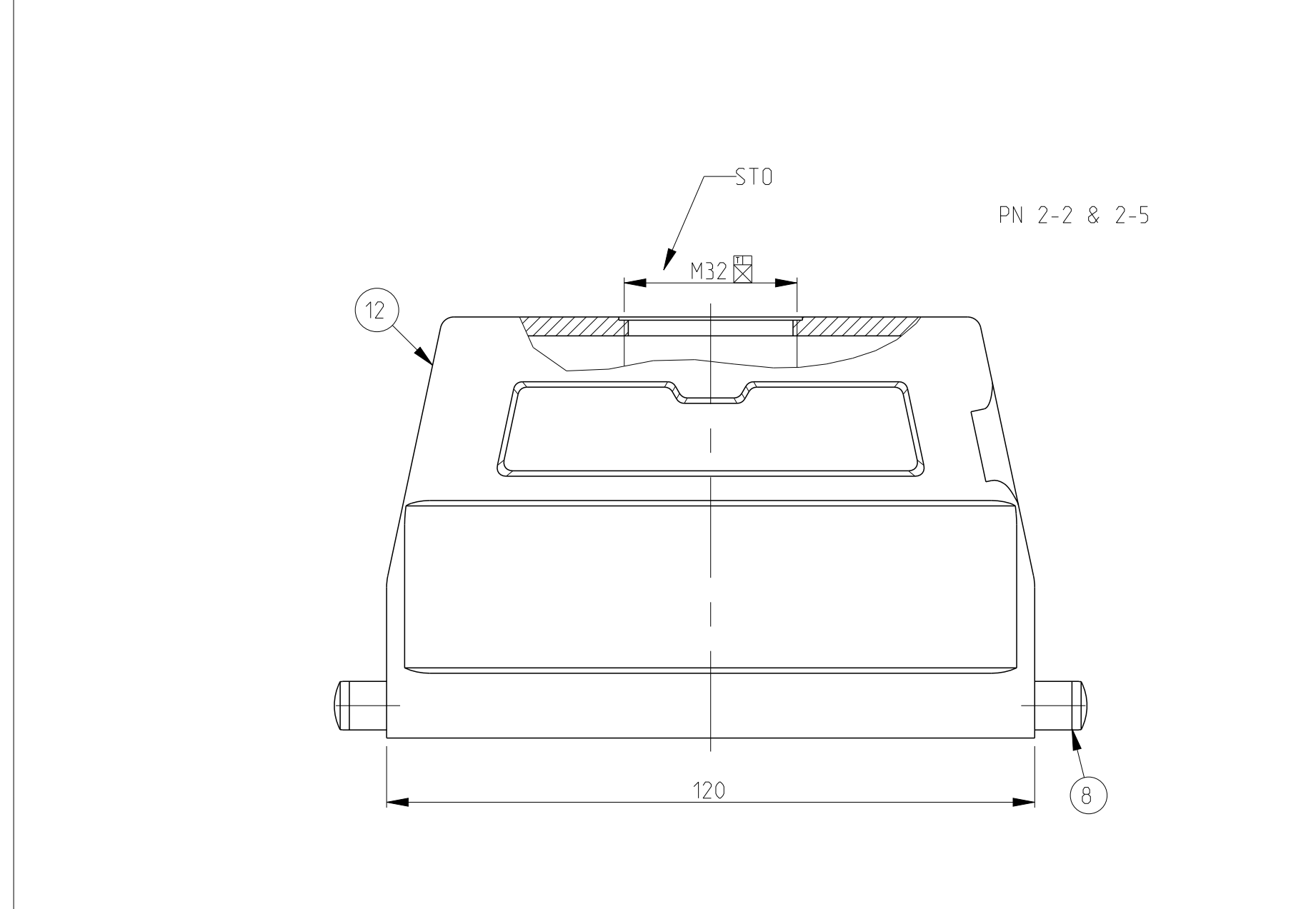
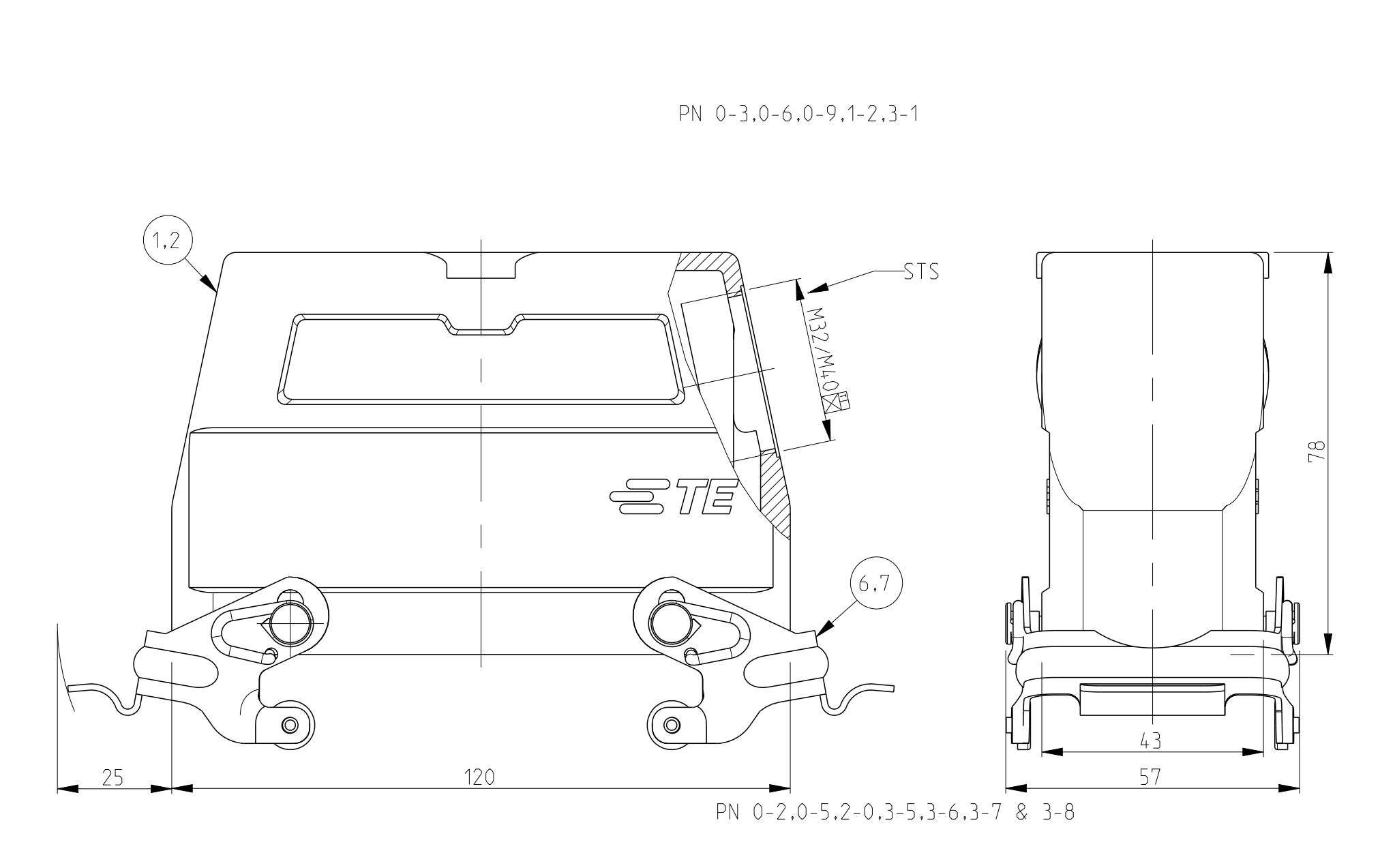
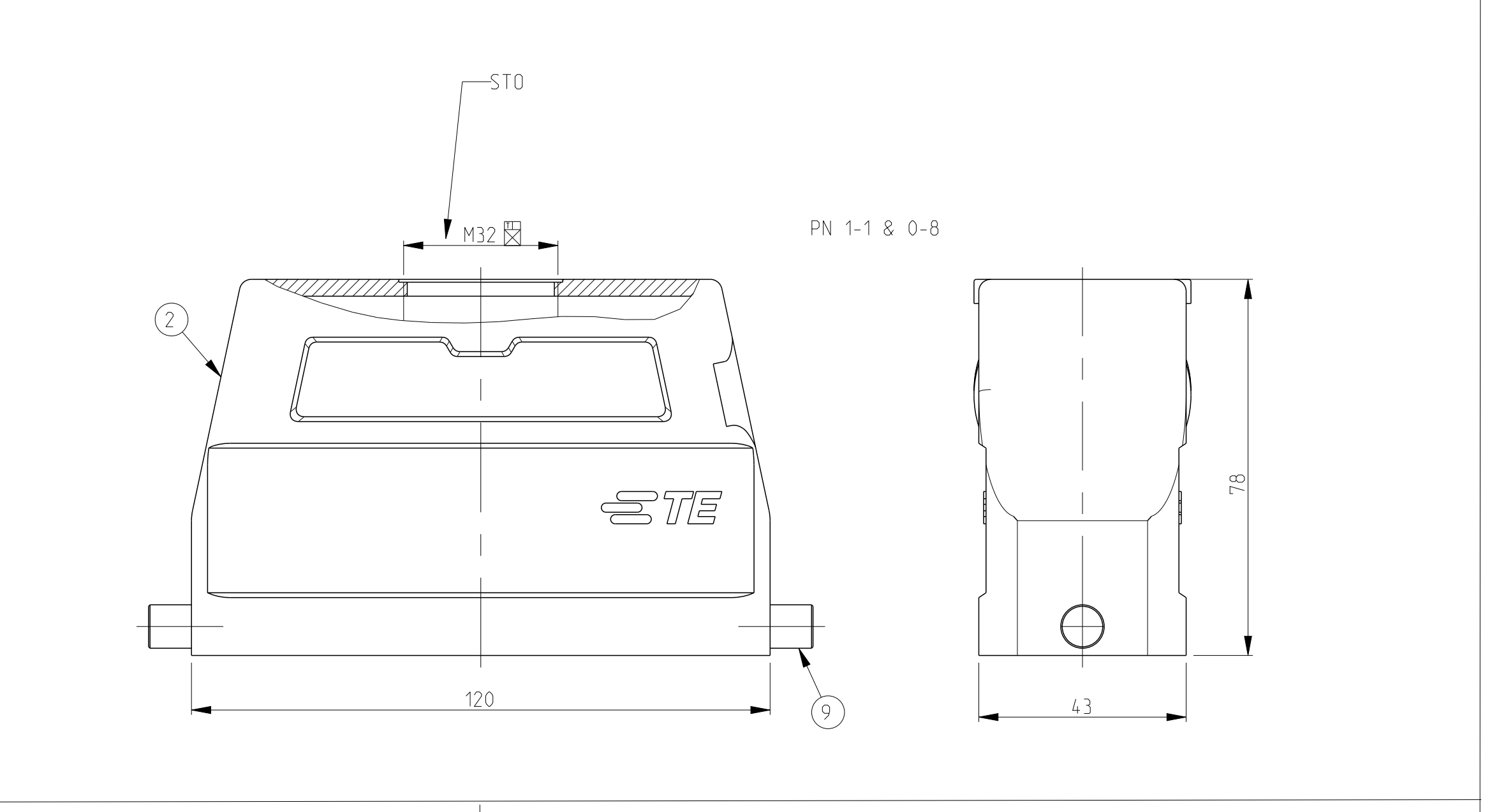
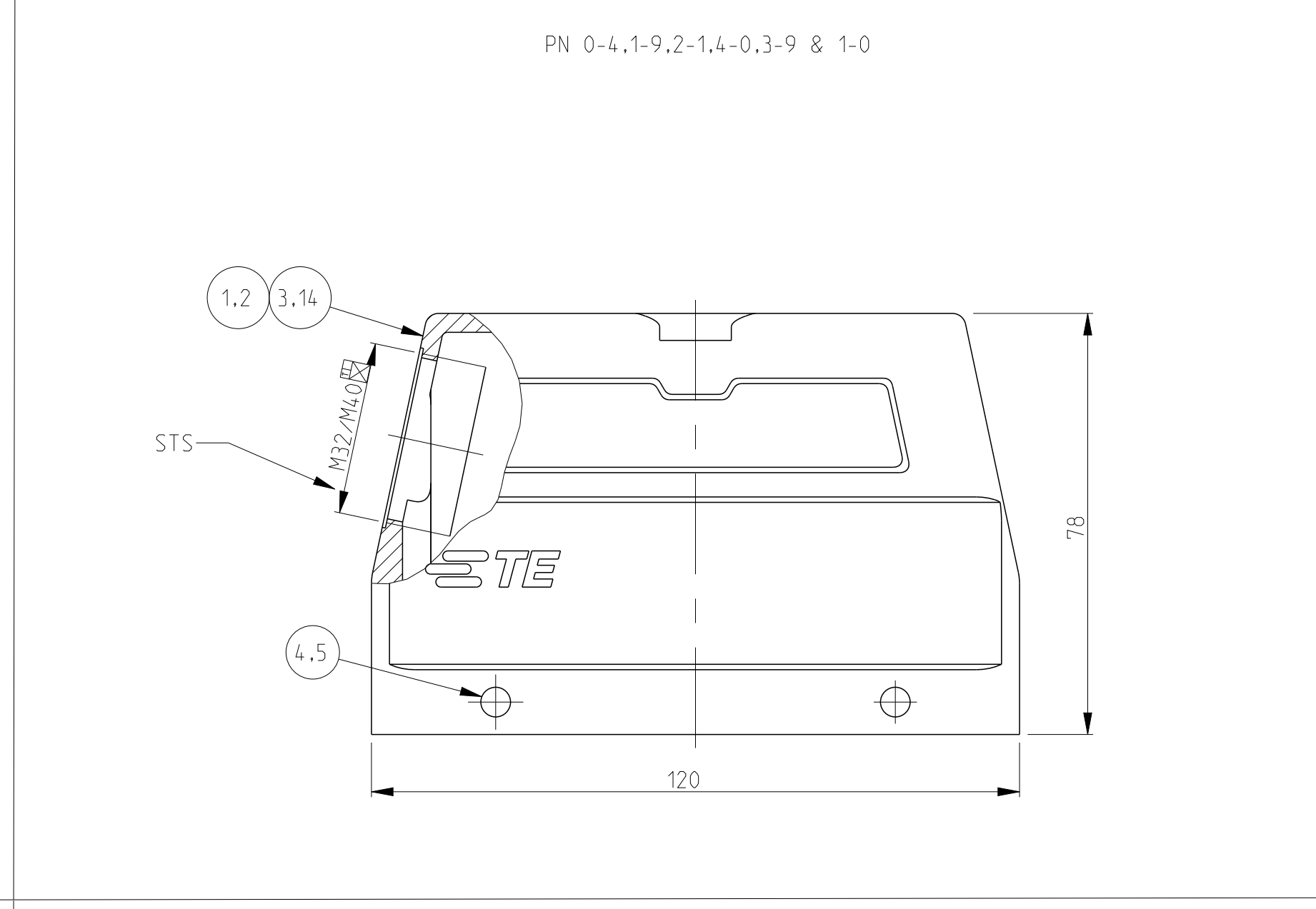
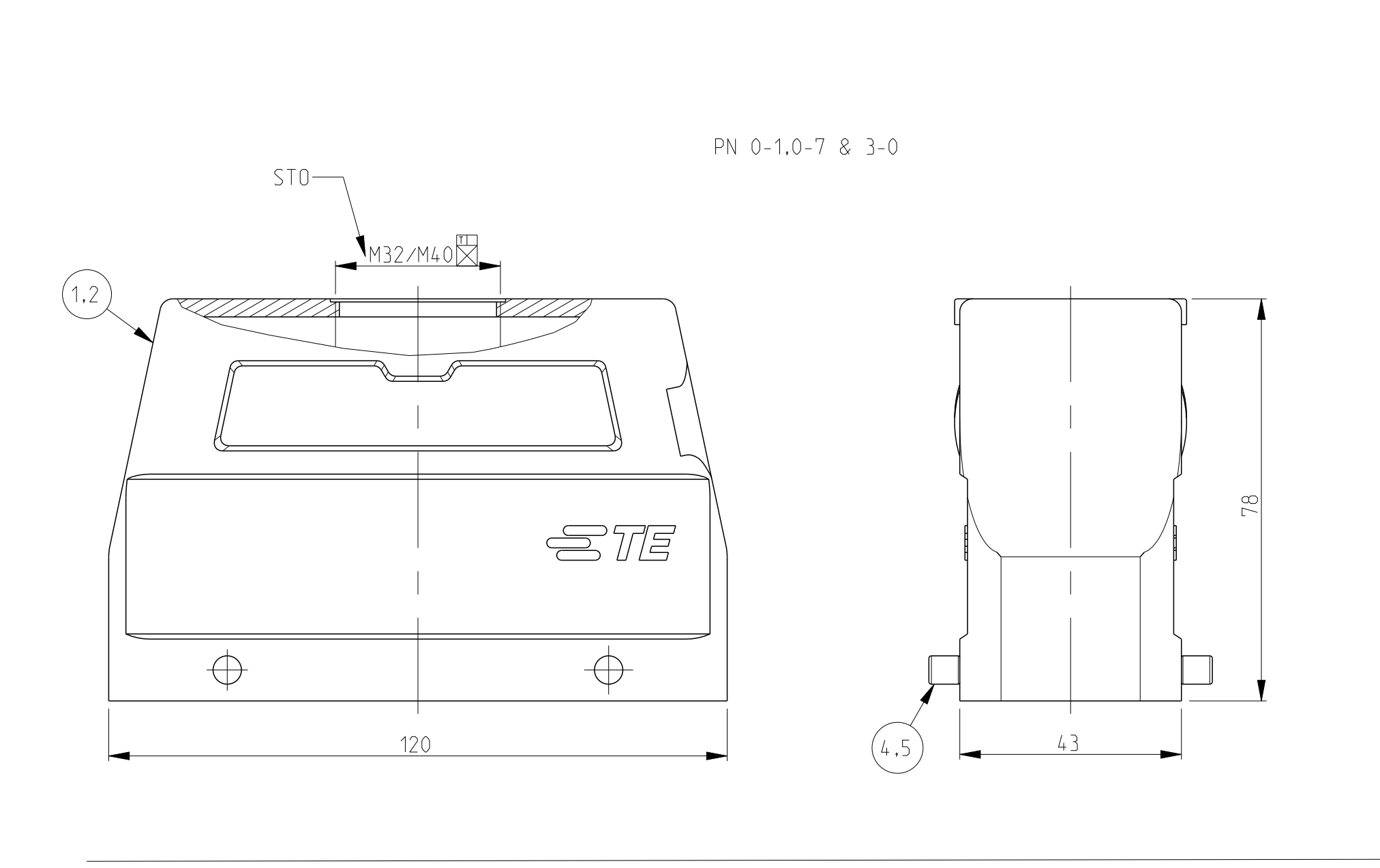


LOC	DIST	REVISIONS			
A1	-	REV	DATE	BY	APPD
		A15	ECR-14-007563	27FEB2014	RK MKO
		A16	ECR-14-013782	23SEP2014	RK MKO
		A17	ECR-16-016696	24JUN2017	GEM MKO
		A18	ECR-16-016780	19NOV2017	GR MKO



- NOTES:
- Material:Housing:Aluminium Diecasting Alloy
  - Surface:Varnish grey
  - Varnish on the inside not necessary
  - Packaging Quantity 5 Pieces in a box
  - Without TE-Product sign
  - Special Packaging Quantity 50 Pieces in a Kanban box

REV	DATE	DESCRIPTION	MATERIAL	SURFACE	COLOR	ITEM NO	NOTES
1		HD-K HOOD	Aluminium	Aluminium oxide	Black	17	
1		HD HOOD	Aluminium		GREY	16	
1		HD HOOD	Aluminium		GREY	15	
1		HD-EMV Hood	Aluminium	chromit Al passivation	Black	14	
1		HD Hood	Aluminium		Grey	13	
1		HD Hood	Aluminium	Neutral	Grey	12	Without TE-Logo
1		ZB-Central clip	Stainless steel		Blank	11	
1		ZB-Central clip	Steel		Zinc plated	10	
1		LB-Clip bolt	Stainless steel		Blank	9	
2	2	LB-Clip bolt	Steel		Zinc plated	8	
1		VS-Side clip	Stainless steel		Blank	7	
1		VS-Side clip	Steel		Zinc plated	6	
1		VS-Clip bolt	Stainless steel		Blank	5	
1		VS-Clip bolt	Steel		Zinc plated	4	
1		HD Hood	Aluminium		Grey	3	Without TE-Logo
1		HD-K Hood	Aluminium	Aluminium oxide	Black	2	
1		HD Hood	Aluminium		Grey	1	

THIS DRAWING IS A CONTROLLED DOCUMENT. DATE: 30-Nov-07  
 DIMENSIONS: SCHNEIDER 30-Nov-07  
 PRODUCT SPEC: 108-74.001/74.003  
 APPLICATION SPEC: 114-74.001/74.004  
 MATERIAL: ALUMINUM  
 FINISH: ANODIZED  
 WEIGHT: -  
 Customer Drawing

**STE** TE Connectivity  
 Hood  
 HD .64 .STS .M32 /1.M4.0.G

SCALE: 5:1  
 SHEET: 1 OF 1  
 REV: A18

## X-ON Electronics

Largest Supplier of Electrical and Electronic Components

*Click to view similar products for [Heavy Duty Power Connectors](#) category:*

*Click to view products by [TE Connectivity](#) manufacturer:*

Other Similar products are found below :

[647757-1](#) [6643411-1](#) [6646058-2](#) [6646137-1](#) [6646138-1](#) [6646479-1](#) [6646608-1](#) [6646786-1](#) [6646940-1](#) [6651091-1](#) [6651525-1](#) [6651529-1](#)  
[6651788-1](#) [696475-1](#) [702-32-01109](#) [703-25-02205](#) [73000005059](#) [73000005642](#) [73080255059](#) [73080965046](#) [765-15-0080A](#) [765-16-0080B](#)  
[765-18-0080D](#) [829992-1](#) [902-77-02113](#) [PS00/A0620/6300](#) [PS25/A0420/63](#) [129-1J](#) [1409400](#) [AN0024023](#) [E6374G1](#) [e6389g2](#) [157-43GW8](#)  
[MS3117-14AC](#) [1643543-1](#) [1650540-1](#) [1651811-2](#) [1766260-1](#) [1766282-1](#) [1766966-1](#) [1791340000](#) [NLDFT-3-BL-L-S120-M40A](#) [NLDFT-N-](#)  
[W-L-C240-M40B](#) [NLS-2-R-C240-M40B](#) [NLS-N-W-C240-M40B](#) [NPS-3-BL-T6](#) [1986615-1](#) [2-1589900-8](#) [2199314-1](#) [KA8102](#)