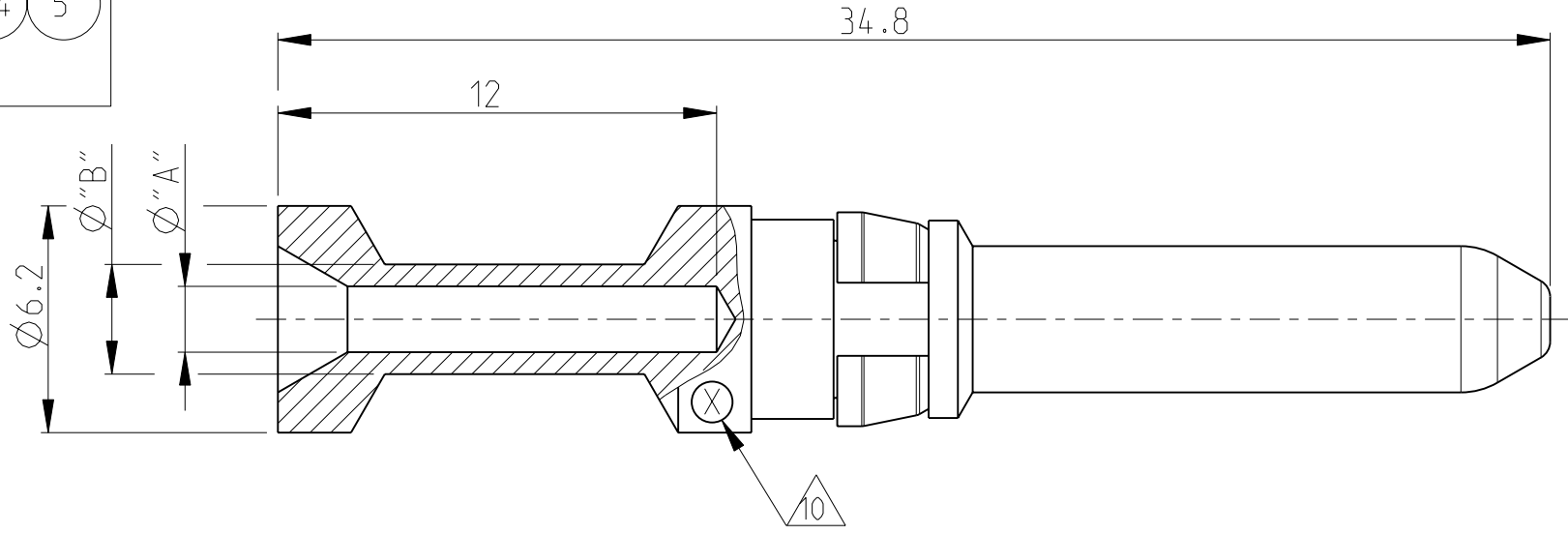
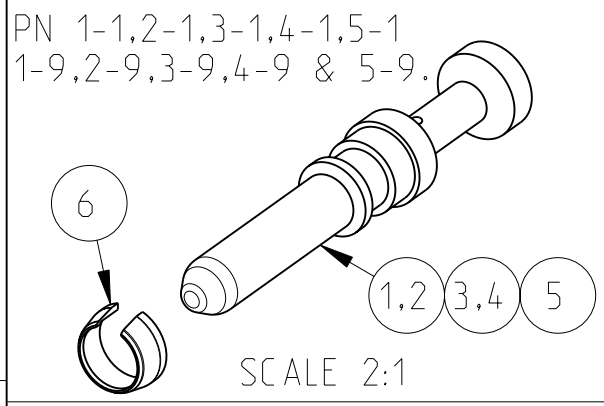


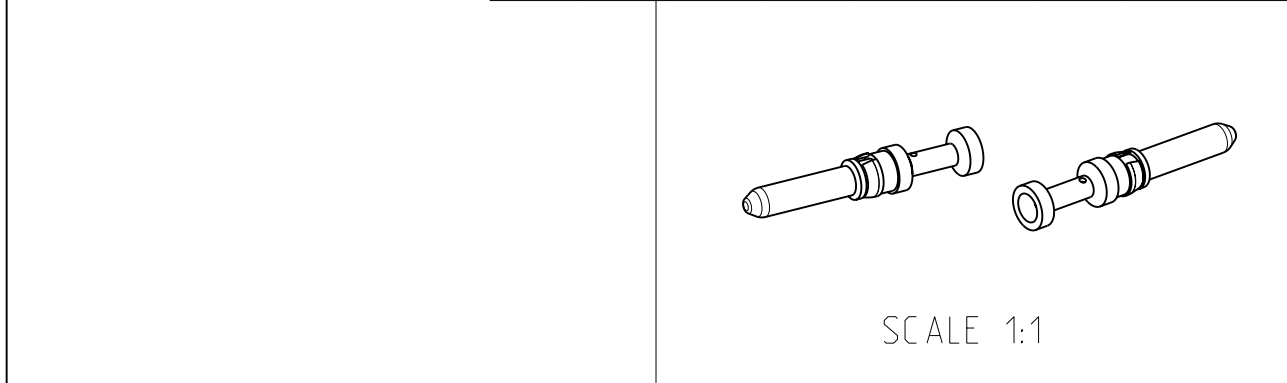
THIS DRAWING IS UNPUBLISHED. RELEASED FOR PUBLICATION 2006  
 © COPYRIGHT 2006 BY TYCO ELECTRONICS CORPORATION. ALL RIGHTS RESERVED.

LOC	DIST	REVISIONS					
A1	-	P	LTR	DESCRIPTION	DATE	DWN	APVD
		A5		Released Asper ECR-09-005436	9-Mar-2009	CJ	TS



- Notes
- 1 MATERIAL: BRASS
  - 2 FINISH SILVER PLATING: 2 μm Ag MIN. OVER Cu
  - 3 ASSEMBLY WEIGHT SEE TABLE. VOLUME: 479mm<sup>3</sup> (APPROX.)
  - 4 PACKAGING: 25 PIECES IN A POLY-BAG AND CARTON
  - 5 SUITABLE SOCKET CONTACT: PN 1108756
  - 6 SUITABLE INSERTS: SERIES HSK
  - 7 SUITABLE CRIMPING TOOL: PN 1-1105850-8
  - 8 SUITABLE INSERTION TOOL: PN 0-1102855-6
  - 9 SUITABLE EXTRACTION TOOL: PN 0-1102855-8
  - 10 CROSS-SECTION MARKING
  - 11 STANDARDS: DIN EN 61984, DIN EN 60664-1

1	1	1	1	1	1	1	1	1	1	Ni	CLIP	-	-	-	-	6		
1					1					Ag 2	PIN CONTACT	10	0.0041	4.35	5.9	8	12	5
	1					1					PIN CONTACT	6.0	0.0041	3.5	4.9	7	12	4
		1					1				PIN CONTACT	4.0	0.0041	2.85	3.9	6	12	3
			1					1			PIN CONTACT	2.5	0.0039	2.2	3.2	5	12	2
				1					1		PIN CONTACT	1.5	0.0040	1.8	3.0	4	12	1
5-9	4-9	3-9	2-9	1-9	5-1	4-1	3-1	2-1	1-1			[MM <sup>2</sup> ]		"A"	"B"	CROSS-SECTION MARKINGS	(MM)	ITEM NO
HS.K-C-Sti.Ag 10mm <sup>2</sup>	HS.K-C-Sti.Ag 6mm <sup>2</sup>	HS.K-C-Sti.Ag 4mm <sup>2</sup>	HS.K-C-Sti.Ag 2.5mm <sup>2</sup>	HS.K-C-Sti.Ag 1.5mm <sup>2</sup>	HS.K-C-Sti.Ag 10mm <sup>2</sup>	HS.K-C-Sti.Ag 6mm <sup>2</sup>	HS.K-C-Sti.Ag 4mm <sup>2</sup>	HS.K-C-Sti.Ag 2.5mm <sup>2</sup>	HS.K-C-Sti.Ag 1.5mm <sup>2</sup>	PLATING	DESCRIPTION	CROSS SECTION	WEIGHT IN (Kg)	DIMENSIONS		CROSS-SECTION MARKINGS	STRIPPING-LENGTH	
4	4	4	4	4	4	4	4	4	4				3			10		



THIS DRAWING IS A CONTROLLED DOCUMENT FOR TYCO ELECTRONICS CORPORATION. IT IS SUBJECT TO CHANGE AND THE CONTROLLING ENGINEERING ORGANIZATION SHOULD BE CONTACTED FOR THE LATEST REVISION.

DIMENSIONS:	TOLERANCES UNLESS OTHERWISE SPECIFIED:	DWN	03Mar2008	Tyco Electronics AMP GmbH 53757 Sankt Augustin, Germany			
mm	n. ISO 2768-mh-E B. DIN 16901	CHK	03Mar2008				
	0 PLC ±	APVD	03Mar2008				
	1 PLC ±	NAME	T. SCHNURPFEL				
	2 PLC ±	PRODUCT SPEC	108-74004	PIN CONTACT SERIES HSK			
	3 PLC ±	APPLICATION SPEC	114-74003				
	4 PLC ±	WEIGHT	-	SIZE	CAGE CODE	DRAWING NO	RESTRICTED TO
MATERIAL	FINISH	CUSTOMER DRAWING		A3	00779	1108757	
1	2	SCALE		5:1	SHEET 1 OF 1		REV A5

## X-ON Electronics

Largest Supplier of Electrical and Electronic Components

*Click to view similar products for [Heavy Duty Power Connectors](#) category:*

*Click to view products by [TE Connectivity](#) manufacturer:*

Other Similar products are found below :

[1424439](#) [1424438](#) [09330062652](#) [605601-1](#) [6340G1](#) [6341G1](#) [6360G1](#) [6373G1](#) [6374g2](#) [6396G1](#) [647757-1](#) [6643411-1](#) [6646058-2](#) [6646137-1](#)  
[6646138-1](#) [6646348-1](#) [6646479-1](#) [6646608-1](#) [6646786-1](#) [6646940-1](#) [6651525-1](#) [6651529-1](#) [6651778-1](#) [6651788-1](#) [696465-1](#) [696475-1](#)  
[73000005059](#) [73000005349](#) [73000005642](#) [73080965046](#) [765-15-0080A](#) [765-16-0080B](#) [789.700-44](#) [789.700-54](#) [80-1010](#) [80-9](#) [827381-1](#)  
[829992-1](#) [902-77-02113](#) [PL00U-301-10D10](#) [PM103MOOLOO](#) [PM212MOOLOO](#) [PM309FOOLOO](#) [PM324FOOLCH](#) [PMHPAF11S03](#)  
[PMHPAF14S01](#) [PMHPAM14P05](#) [PMHPAS06](#) [PMHPBF14S01](#) [PP45PC12S](#)