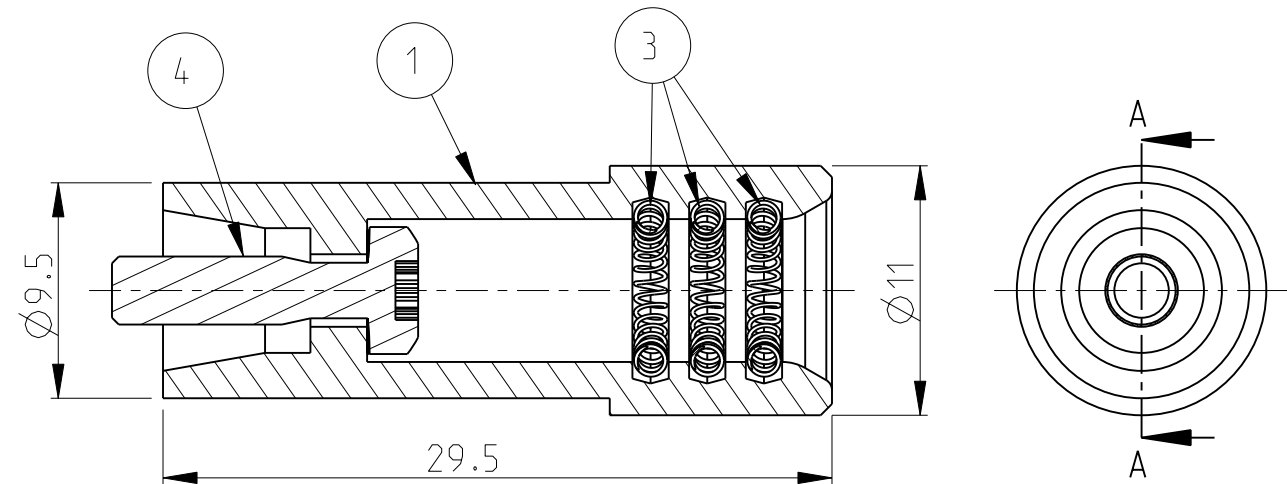


THIS DRAWING IS UNPUBLISHED. RELEASED FOR PUBLICATION .2000

© COPYRIGHT 2000 BY TYCO ELECTRONICS CORPORATION. ALL RIGHTS RESERVED.

PN 0-1

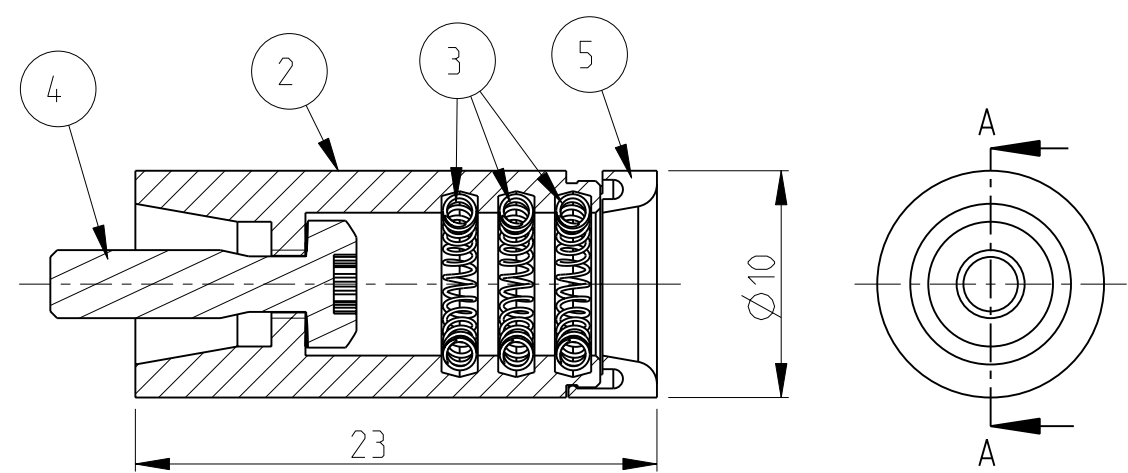


SECTION A-A  
SCALE 3:1

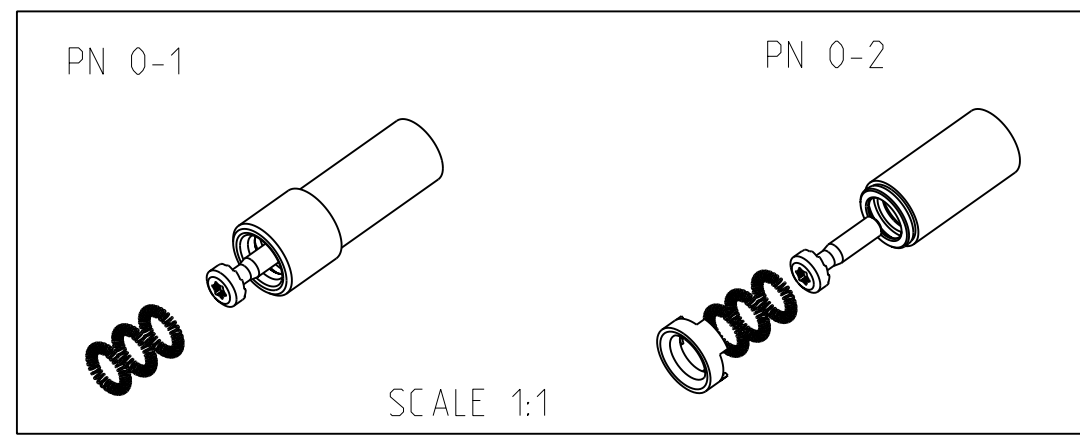
LOC	DIST	REVISIONS					
		P	LTR	DESCRIPTION	DATE	DWN	APVD
AI	-						
NOTES		C4	RELEASED AS PER ECR-09-006875			25-MAR-2009	GG TS

- 1 SUITABLE CRIMP BARRELS:SERIES HF.06/08  
CUSTOMER DRAWING: 1110952,1108807
- 2 SUITABLE INSERTS:  
FOR 0-1: SERIES MDL;MDL2  
CUSTOMER DRAWING: 1102998,1103024,1104560,1110957  
  
FOR 0-2: SERIES HVS;HC.20  
CUSTOMER DRAWING: 1103242,1245441
- 3 STANDARDS:  
DIN EN 61984;DIN EN 60664-1
- 4 PACKAGING QUANTITY: 10 SETS  
IN A CARTON,PRE-MOUNTED

PN 0-2



SECTION A-A  
SCALE 3:1



1	-	IP20 PROTECTION	PA6.6-GF25	-	BLACK	5	FOR SOCKET CONTACT
1	1	SCREW	STAINL.STEEL	-	-	4	M3 SELF LOCKING
3	3	COIL SPRING	Cu/be	SILVER PLATED	-	3	RAD.6.0 mm
1	-	SOCKET CONTACT	BRASS	SILVER PLATED	-	2	SHORT VERSION
-	1	SOCKET CONTACT	BRASS	SILVER PLATED	-	1	LONG VERSION
0-2	0-1	DESCRIPTION	MATERIAL	SURFACE	COLOR	ITEM NO	REMARKS
		HF.06.Bu					
		HF.06.Bu-IP20					

<small>THIS DRAWING IS A CONTROLLED DOCUMENT FOR TYCO ELECTRONICS CORPORATION IT IS SUBJECT TO CHANGE AND THE CONTROLLING ENGINEERING ORGANIZATION SHOULD BE CONTACTED FOR THE LATEST REVISION.</small>		DWN 09/08/2005 G.W.ROBLEWSKI CHK 09/08/2005 H.BRAUN APVD 09/08/2005 T.SCHNURPFIL		Tyco Electronics.AMP.GmbH 53757 Sankt Augustin, Germany	
DIMENSIONS: mm		TOLERANCES UNLESS OTHERWISE SPECIFIED: 0 PLC ± 1 PLC ± 2 PLC ± 3 PLC ± 4 PLC ± ANGLES ±		NAME ASS'Y SOCKET CONTACT SERIES HF6	
		MATERIAL $\triangle 5$		FINISH $\triangle 6$	
		PRODUCT SPEC 108-74024		SIZE A3 CAGE CODE 00779 DRAWING NO C=1110949	
		APPLICATION SPEC 114-74031		RESTRICTED TO -	
		WEIGHT -		SCALE 5:1 SHEET 1 OF 1 REV C4	
		CUSTOMER DRAWING			

## X-ON Electronics

Largest Supplier of Electrical and Electronic Components

*Click to view similar products for [Heavy Duty Power Connectors](#) category:*

*Click to view products by [TE Connectivity](#) manufacturer:*

Other Similar products are found below :

[1424439](#) [1424438](#) [09330062652](#) [605601-1](#) [6340G1](#) [6341G1](#) [6360G1](#) [6373G1](#) [6374g2](#) [6396G1](#) [647757-1](#) [6643411-1](#) [6646058-2](#) [6646137-1](#)  
[6646138-1](#) [6646348-1](#) [6646479-1](#) [6646608-1](#) [6646786-1](#) [6646940-1](#) [6651525-1](#) [6651529-1](#) [6651778-1](#) [6651788-1](#) [696465-1](#) [696475-1](#)  
[73000005059](#) [73000005349](#) [73000005642](#) [73080965046](#) [765-15-0080A](#) [765-16-0080B](#) [789.700-44](#) [789.700-54](#) [80-1010](#) [80-9](#) [827381-1](#)  
[829992-1](#) [902-77-02113](#) [PL00U-301-10D10](#) [PM103MOOLOO](#) [PM212MOOLOO](#) [PM309FOOLOO](#) [PM324FOOLCH](#) [PMHPAF11S03](#)  
[PMHPAF14S01](#) [PMHPAM14P05](#) [PMHPAS06](#) [PMHPBF14S01](#) [PP45PC12S](#)