

THIS DRAWING IS UNPUBLISHED  
VERTRÄULICHE UNVERÖFFENTLICHE ZEICHNUNG

RELEASE FOR PUBLIKATION  
FREI FUER VERÖFFENTLICHUNG

MATED WITH:  
PASSEND ZU:  
1110948, 1110949

LOC  
AI

DIST  
-

P

LTR

REVISIONS  
ÄNDERUNGEN

DESCRIPTION  
BESCHREIBUNG

DATE

DWN

APVD

© COPYRIGHT 2000

BY AMP INCORPORATED

ALL RIGHTS RESERVED  
ALLE RECHTE VORBEHALTEN

PROJEKT NR.  
B901815

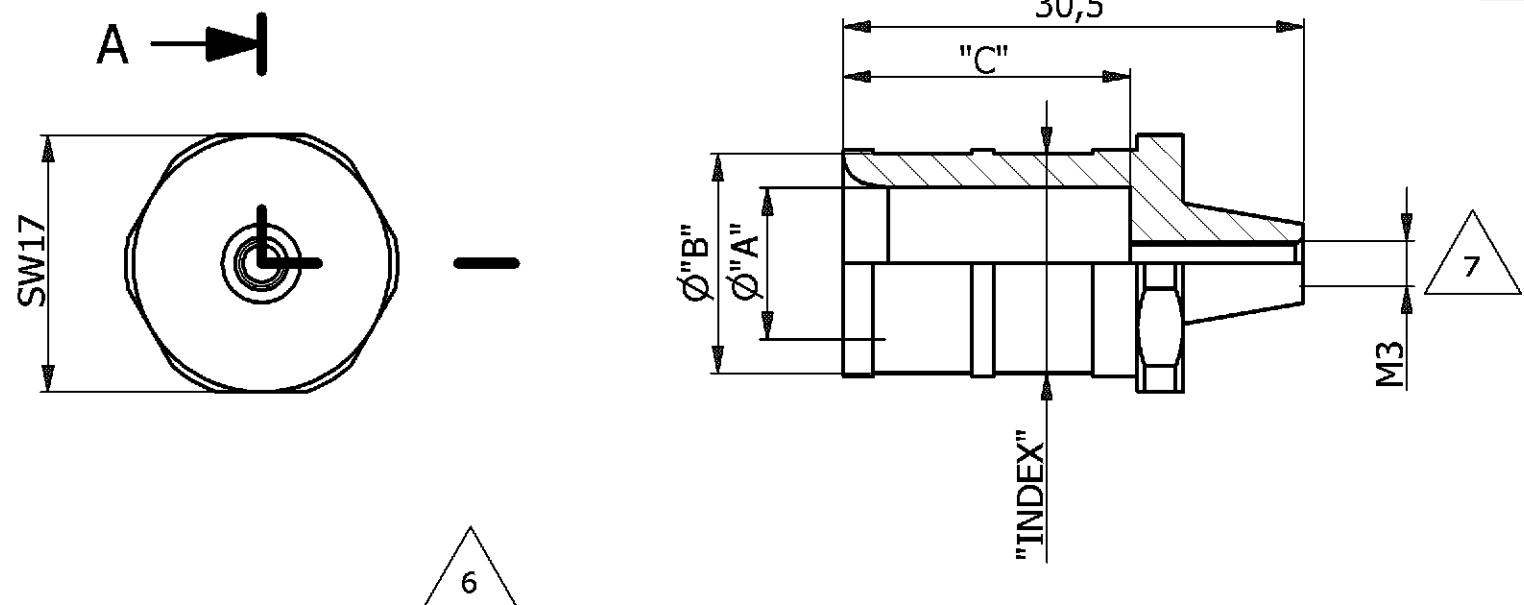
B3

ECR-05-015793 PN 1-1 ADDED

25.10.2005

BR

ST

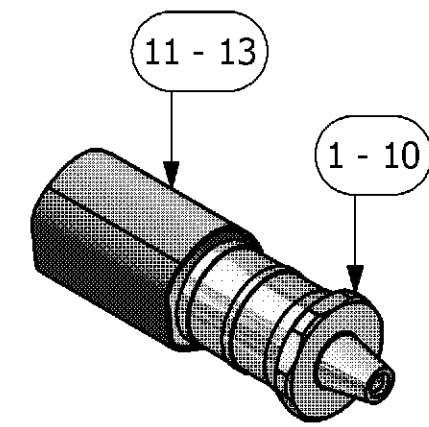


### NOTES

- 1 SUITABLE CONTACTS: SERIES HF06  
CUSTOMER DRAWING: 11100948, 1110949
- 2 SUITABLE CONTACTS: SERIES HF08  
CUSTOMER DRAWING: 1103037, 1103038
- 3 SUITABLE CRIMPING TOOL: HYDR. TOOL 30kN  
CUSTOMER DRAWING: 1105653
- 4 SUITABLE CRIMPING TOOL: HYDR. TOOLS 60kN  
CUSTOMER DRAWING: 1110956
- 5 DIE SIZE "INDEX" ACC. TO DIN 48083, SEE  
CUSTOMER DRAWINGS OF CRIMPING TOOLS
- △ SHRINK. TUBE ACC. TO MIL I-23053 B/5, RATE 3:1
- 7 STANDARDS:  
DIN EN 61984; DIN EN 60664-1
- 8 PACKAGING:  
10 SETS IN A CARTON

|   |   |   |   |   |   |   |   |   |   |   |   |   |   |              |       |       |         |    |        |               |       |                              |    |
|---|---|---|---|---|---|---|---|---|---|---|---|---|---|--------------|-------|-------|---------|----|--------|---------------|-------|------------------------------|----|
| - | - | - | 1 | - | 1 | - | 1 | - | - | - | - | - | - | PO           | BLACK | 0,004 | 18 / 45 | 14 |        |               |       |                              |    |
| 1 | 1 | 1 | - | 1 | - | 1 | - | - | - | - | - | - | - | PO           | BLACK | 0,003 | 18 / 25 | 13 |        |               |       |                              |    |
| - | - | - | - | - | - | - | - | 1 | 1 | 1 | - | - | - | PO           | BLACK | 0,002 | 12 / 25 | 12 |        |               |       |                              |    |
| 1 | - | - | - | - | - | - | - | - | - | - | - | - | - | CRIMP BARREL | 14    | 11,5  | 14,0    | 19 | COPPER | SILVER PLATED | 0,018 | WIRE SIZE 50 MM <sup>3</sup> | 11 |
| - | 1 | - | - | - | - | - | - | - | - | - | - | - | - | CRIMP BARREL | 16    | 11,8  | 16,5    | 19 | COPPER | SILVER PLATED | 0,027 | WIRE SIZE 70 MM <sup>3</sup> | 10 |
| - | - | 1 | - | - | - | - | - | - | - | - | - | - | - | CRIMP BARREL | 14    | 10,0  | 14,5    | 19 | COPPER | SILVER PLATED | 0,024 | WIRE SIZE 50 MM <sup>3</sup> | 9  |
| - | - | - | 1 | - | - | - | - | - | - | - | - | - | - | CRIMP BARREL | 14    | 9,8   | 14,5    | 19 | COPPER | SILVER PLATED | 0,025 | WIRE SIZE 48 MM <sup>3</sup> | 8  |
| - | - | - | - | 1 | - | - | - | - | - | - | - | - | - | CRIMP BARREL | 12    | 8,2   | 12,5    | 19 | COPPER | SILVER PLATED | 0,021 | WIRE SIZE 35 MM <sup>3</sup> | 7  |
| - | - | - | - | - | 1 | - | - | - | - | - | - | - | - | CRIMP BARREL | 12    | 8,5   | 12,5    | 19 | COPPER | SILVER PLATED | 0,020 | WIRE SIZE 30 MM <sup>3</sup> | 6  |
| - | - | - | - | - | - | 1 | - | - | - | - | - | - | - | CRIMP BARREL | 10    | 7,0   | 10,0    | 19 | COPPER | SILVER PLATED | 0,016 | WIRE SIZE 25 MM <sup>3</sup> | 5  |
| - | - | - | - | - | - | - | 1 | - | - | - | - | - | - | CRIMP BARREL | 8     | 5,9   | 8,5     | 19 | COPPER | SILVER PLATED | 0,014 | WIRE SIZE 18 MM <sup>3</sup> | 4  |
| - | - | - | - | - | - | - | - | 1 | - | - | - | - | - | CRIMP BARREL | 8     | 5,5   | 8,5     | 19 | COPPER | SILVER PLATED | 0,015 | WIRE SIZE 16 MM <sup>3</sup> | 3  |
| - | - | - | - | - | - | - | - | - | 1 | - | - | - | - | CRIMP BARREL | 6     | 4,5   | 6,0     | 19 | COPPER | SILVER PLATED | 0,011 | WIRE SIZE 10 MM <sup>3</sup> | 2  |
| - | - | - | - | - | - | - | - | - | - | 1 | - | - | - | CRIMP BARREL | 5     | 3,8   | 5,5     | 19 | COPPER | SILVER PLATED | 0,010 | WIRE SIZE 06 MM <sup>3</sup> | 1  |

| PART NO. / QUANTITY |     |     |     |     |     |     |     |     |     |     | INDEX ACC.                                 | A   | B          | C | MATERIAL | SURFACE | WEIGHT [kg] | NOTE | ITEM |  |
|---------------------|-----|-----|-----|-----|-----|-----|-----|-----|-----|-----|--|---|------------|---|----------|---------|-------------|------|------|--|
| 1-1                 | 1-0 | 0-9 | 0-8 | 0-7 | 0-6 | 0-5 | 0-4 | 0-3 | 0-2 | 0-1 | DESCRIPTION                                | TO DIN 48083  | DIMENSIONS |   |          |         |             |      |      |  |
|                     |     |     |     |     |     |     |     |     |     |     | ORDERING TEXT: CH.6 MM <sup>2</sup> -6MM   | WIRE: H07V-K 1x6MM <sup>2</sup>   |            |   |          |         |             |      |      |  |
|                     |     |     |     |     |     |     |     |     |     |     | ORDERING TEXT: CH.10.MM <sup>2</sup> -6MM  | WIRE: H07V-K 1x10MM <sup>2</sup>  |            |   |          |         |             |      |      |  |
|                     |     |     |     |     |     |     |     |     |     |     | ORDERING TEXT: CH.16 MM <sup>2</sup> -6MM  | WIRE: H07V-K 1x16MM <sup>2</sup>  |            |   |          |         |             |      |      |  |
|                     |     |     |     |     |     |     |     |     |     |     | ORDERING TEXT: CH.18.MM <sup>2</sup> -6MM  | WIRE: RADOX 155, ZYRAD 555, BETATHERM 155 3x6MM <sup>2</sup>                                |            |   |          |         |             |      |      |  |
|                     |     |     |     |     |     |     |     |     |     |     | ORDERING TEXT: CH.25 MM <sup>2</sup> -6MM  | WIRE: H07V-K 1x25MM <sup>2</sup>  |            |   |          |         |             |      |      |  |
|                     |     |     |     |     |     |     |     |     |     |     | ORDERING TEXT: CH.30.MM <sup>2</sup> -6MM  | WIRE: RADOX 155, ZYRAD 555, BETATHERM 155 3x10MM <sup>2</sup>                               |            |   |          |         |             |      |      |  |
|                     |     |     |     |     |     |     |     |     |     |     | ORDERING TEXT: CH.35 MM <sup>2</sup> -6MM  | WIRE: LAPP H07V-K, H07V-K UL STYLE 1015, CSA, TEW 1x35MM <sup>2</sup>                       |            |   |          |         |             |      |      |  |
|                     |     |     |     |     |     |     |     |     |     |     | ORDERING TEXT: CH.48.MM <sup>2</sup> -6MM  | WIRE: RADOX 155, ZYRAD 555, BETATHERM 155 3x16MM <sup>2</sup>                               |            |   |          |         |             |      |      |  |
|                     |     |     |     |     |     |     |     |     |     |     | ORDERING TEXT: CH.50 MM <sup>2</sup> -6MM  | WIRE: LAPP H07V-K, H07V-K UL STYLE 1015, CSA, TEW 1x50MM <sup>2</sup>                       |            |   |          |         |             |      |      |  |
|                     |     |     |     |     |     |     |     |     |     |     | ORDERING TEXT: CH.70.MM <sup>2</sup> -6MM  | WIRE: LAPP H07V-K, H07V-K UL STYLE 1015, CSA, TEW 1x70MM <sup>2</sup> , 2x35MM <sup>2</sup> |            |   |          |         |             |      |      |  |
|                     |     |     |     |     |     |     |     |     |     |     | ORDERING TEXT: CH.50H.MM <sup>2</sup> -6MM | WIRE: HIGH FLEX. WIRE ACC. TO DIN 46438   |            |   |          |         |             |      |      |  |



M 1:1

THIS DRAWING IS A CONTROLLED DOCUMENT FOR AMP INCORPORATED.  
IT IS SUBJECT TO CHANGE AND THE CONTROLLING ENGINEERING  
ORGANIZATION SHOULD BE CONTACTED FOR THE LATEST REVISION.  
DIESES ZEICHNUNGSDOKUMENT WIRD DURCH AMP INCORPORATED KONTROLLIERT.  
ÄNDERUNGEN, DIE DEM TECHNISCHEN FORTSCHRITT DIENEN, SIND VORBEHALTEN.  
DEN JEWEILS LETZTGÜLTIGEN ÄNDERUNGSSTAND ERFAHREN SIE AUF ANFRAGE.

|                                   |  |
|-----------------------------------|--|
| DIMENSIONS:<br>DIMENSIONEN:<br>mm | TOLERANCES UNLESS<br>OTHERWISE SPECIFIED:<br>ALLGEMEINTOLERANZEN |
|                                   | n. ISO 8015 -<br>n. ISO 2768 - mH-E<br>n. DIN 16901- 140         |
| MATERIAL                          | FINISH / OBERFLÄCHE / FARBE                                      |

|  |  |
|--|--|
| DWN<br>H.BRAUN<br>25.10.2005                         | <br>Tyco / Electronics AMP GmbH<br>D - 53819 Neunkirchen |
| CHK  |  |
| APVD<br>T.SCHNURPFEIL<br>25.10.2005                  | NAME<br>CRIMP BARREL<br>SERIES HF06, HF08                |
| PRODUCT SPEC.<br>PRODUKTSPEZ.<br>108-74024           | SIZE<br>A3   |
| APPLICATION SPEC.<br>VERARBEITUNGSSPEZ.<br>114-74031 | CAGE CODE<br>00779                                       |
| WEIGHT<br>GEWICHT<br>SEE TABLE                       | DRAWING NO<br>ZEICHNUNGS-NR.<br>1110952                  |
| CUSTOMER DRAWING / KUNDENZEICHNUNG                   |  |
| SCALE<br>MASSSTAB<br>2:1                             | RESTRICTED TO<br>NUR FUER                                |
| SHEET<br>BLATT<br>1                                  | OF<br>VON<br>1   |
| REV.<br>B3   |  |

K:\Prod\_Eng\3D-Modelle\Krimp\H07V-K\1110952.dwg

## X-ON Electronics

Largest Supplier of Electrical and Electronic Components

*Click to view similar products for [Heavy Duty Power Connectors](#) category:*

*Click to view products by [TE Connectivity](#) manufacturer:*

Other Similar products are found below :

[1424439](#) [1424438](#) [09330062652](#) [605601-1](#) [6340G1](#) [6341G1](#) [6360G1](#) [6373G1](#) [6374g2](#) [6396G1](#) [647757-1](#) [6643411-1](#) [6646058-2](#) [6646137-1](#)  
[6646138-1](#) [6646348-1](#) [6646479-1](#) [6646608-1](#) [6646786-1](#) [6646940-1](#) [6651525-1](#) [6651529-1](#) [6651778-1](#) [6651788-1](#) [696465-1](#) [696475-1](#)  
[73000005059](#) [73000005349](#) [73000005642](#) [73080965046](#) [765-15-0080A](#) [765-16-0080B](#) [789.700-44](#) [789.700-54](#) [80-1010](#) [80-9](#) [827381-1](#)  
[829992-1](#) [902-77-02113](#) [PL00U-301-10D10](#) [PM103MOOLOO](#) [PM212MOOLOO](#) [PM309FOOLOO](#) [PM324FOOLCH](#) [PMHPAF11S03](#)  
[PMHPAF14S01](#) [PMHPAM14P05](#) [PMHPAS06](#) [PMHPBF14S01](#) [PP45PC12S](#)