

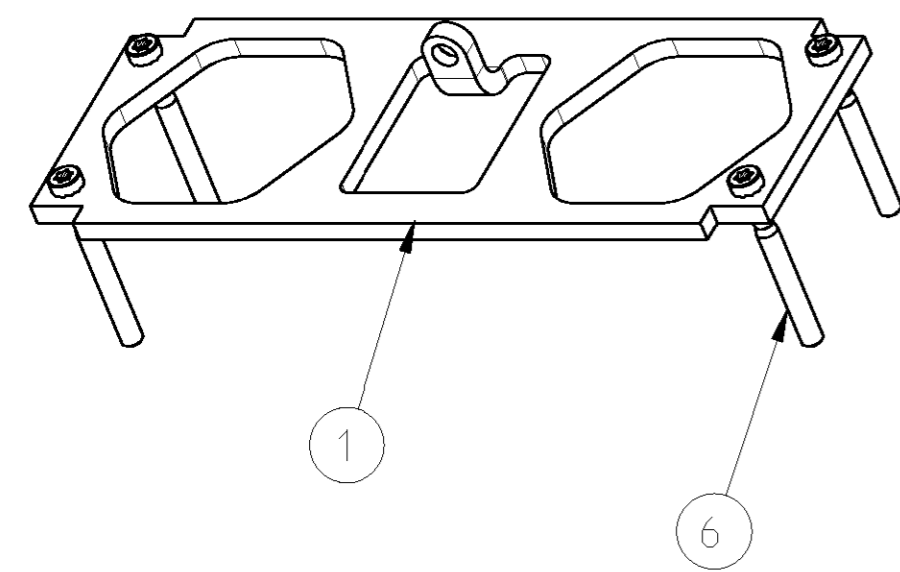
THIS DRAWING IS UNPUBLISHED. RELEASED FOR PUBLICATION 2006
 © COPYRIGHT 2006 BY TYCO ELECTRONICS CORPORATION. ALL RIGHTS RESERVED.

LOC	DIST	REVISIONS					
A1	-	P	LTR	DESCRIPTION	DATE	DWN	APVD
		B2		PACKAGING CHANGED ECR-07-018767	13AUG2007	JS	BR

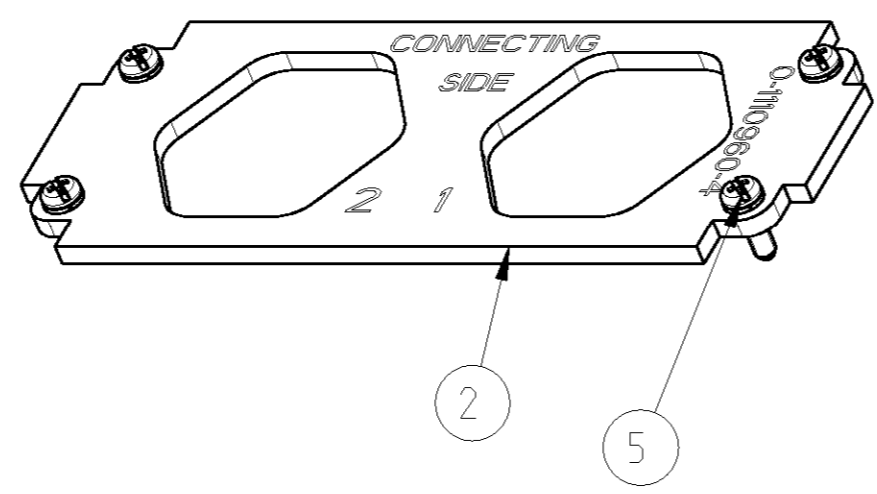
Notes

- 1 WEIGHT:0.112 kg (APROX.)
- 2 PACKAGING: 5 PIECES IN A CARDBOARD BOX
- 3 SCREWS PACKED LOOSE IN A POLY BAG (ONLY PN 0-4 and 0-5)
- 4 LABELING SEE PAGE 2

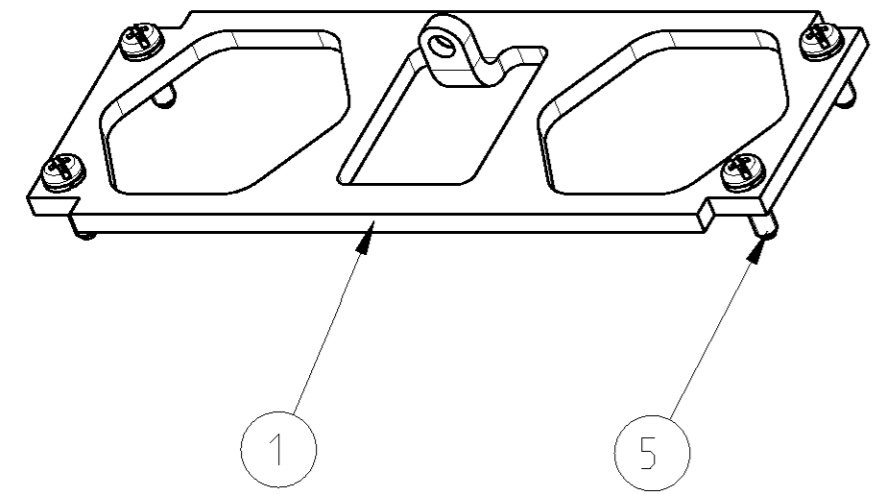
PN 0-1



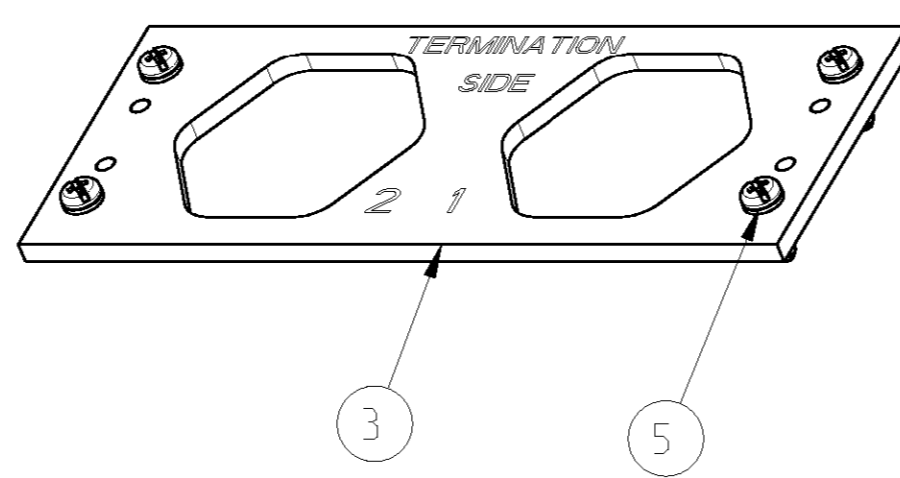
3 PN 0-4



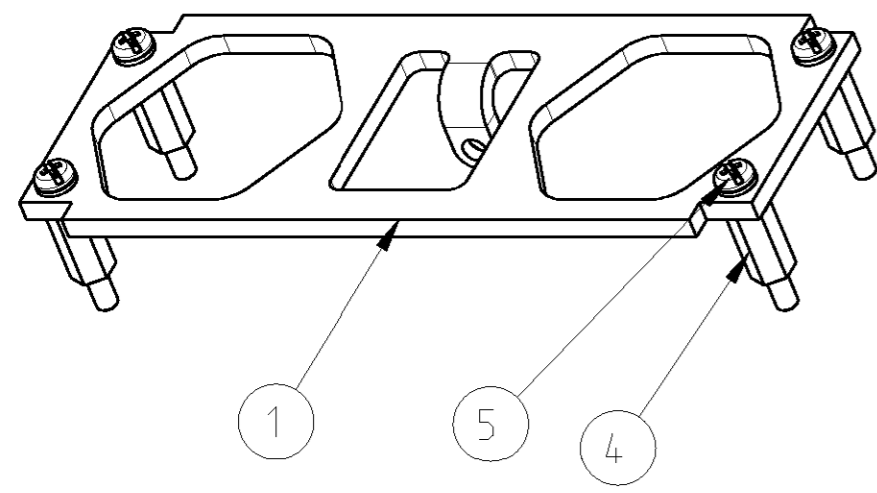
PN 0-2



3 PN 0-5



PN 0-3



QTY	DESCRIPTION	MATERIAL	SURFACE	NOTE	ITEM
4	SCREW	STAINL.STEEL	-	M3x27 SELFLOCKING	6
4	FIXING SCREW	V2A	blank	M3x10.5	5
	DISTANCE BOLT	STEEL	ZINC PLATED	M3x18/12	4
1	FIXING PLATE	STEEL	ZINC PLATED	2 POS. HF13, SPECIAL VERS. Ag	3
	FIXING PLATE	STEEL	ZINC PLATED	2 POS. HF13, SPECIAL VERS. St	2
	FIXING PLATE	STEEL	ZINC PLATED	2 POS. HF13 +1xBq1	1

THIS DRAWING IS A CONTROLLED DOCUMENT FOR TYCO ELECTRONICS CORPORATION. IT IS SUBJECT TO CHANGE AND THE CONTROLLING ENGINEERING ORGANIZATION SHOULD BE CONTACTED FOR THE LATEST REVISION.

DWN: J.STOECKER 28FEB2007
 CHK: H.BRAUN 28FEB2007
 APVD: T.SCHNURPFEL 28FEB2007

tyco Electronics tyco Electronics AMP GmbH
 53819 Neunkirchen (Germany)

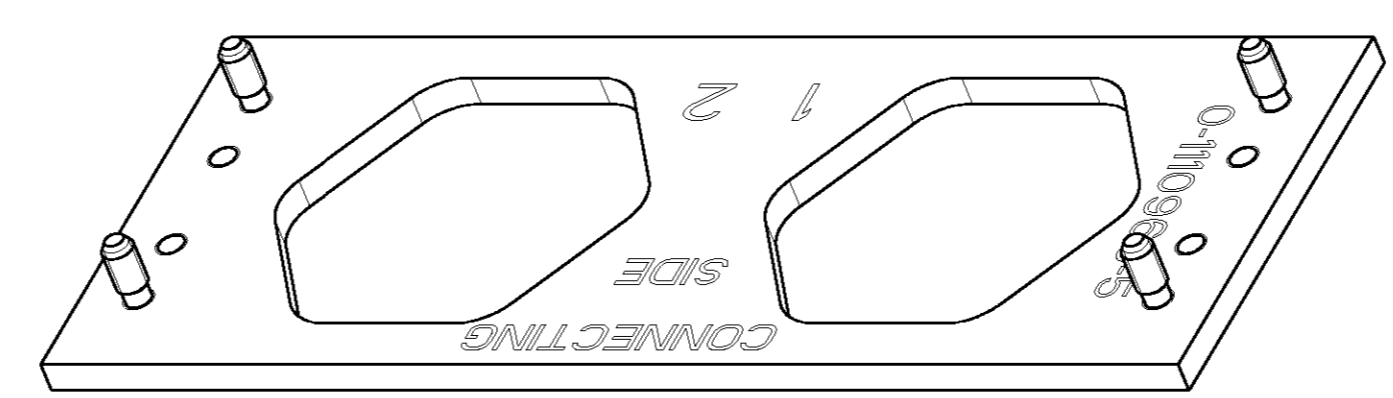
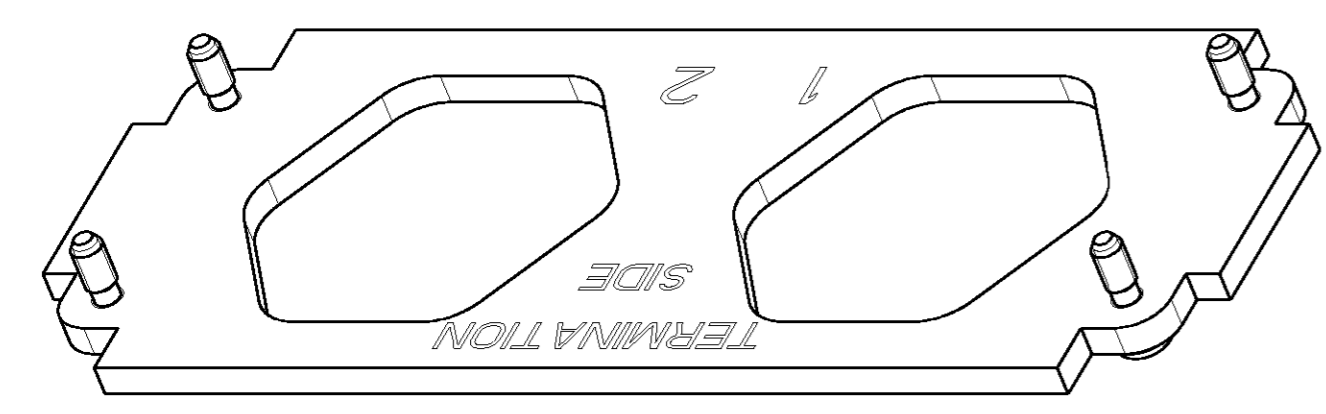
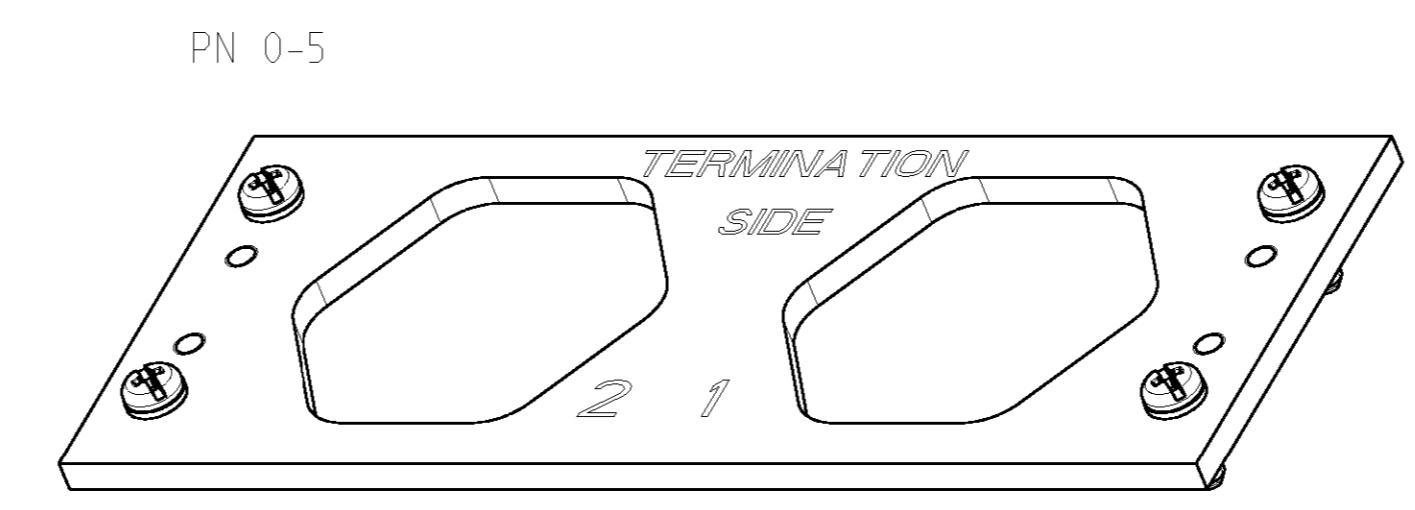
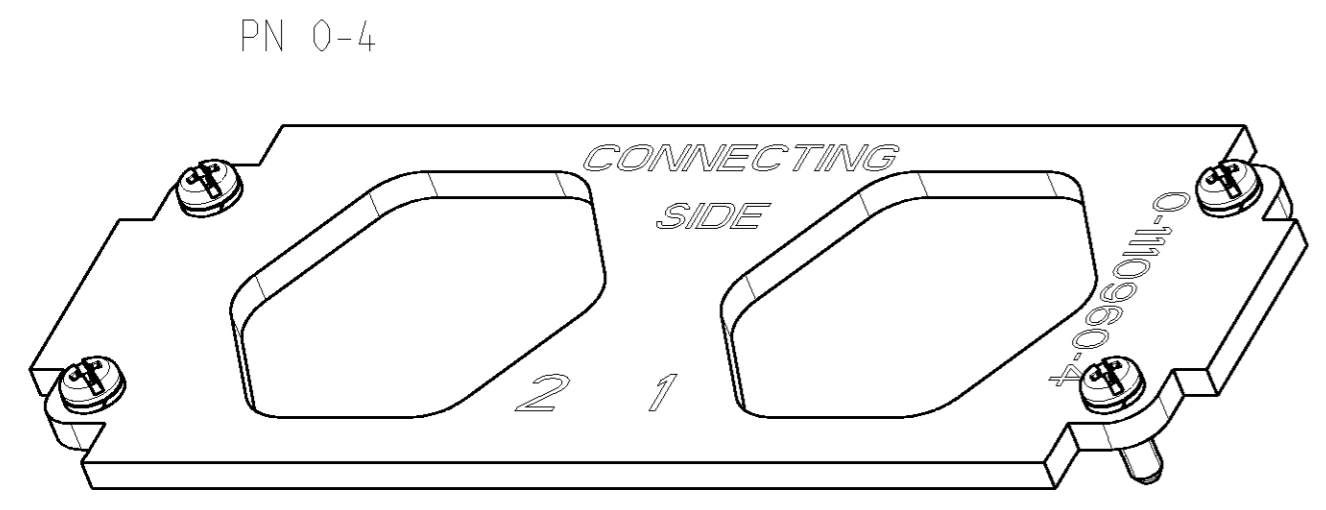
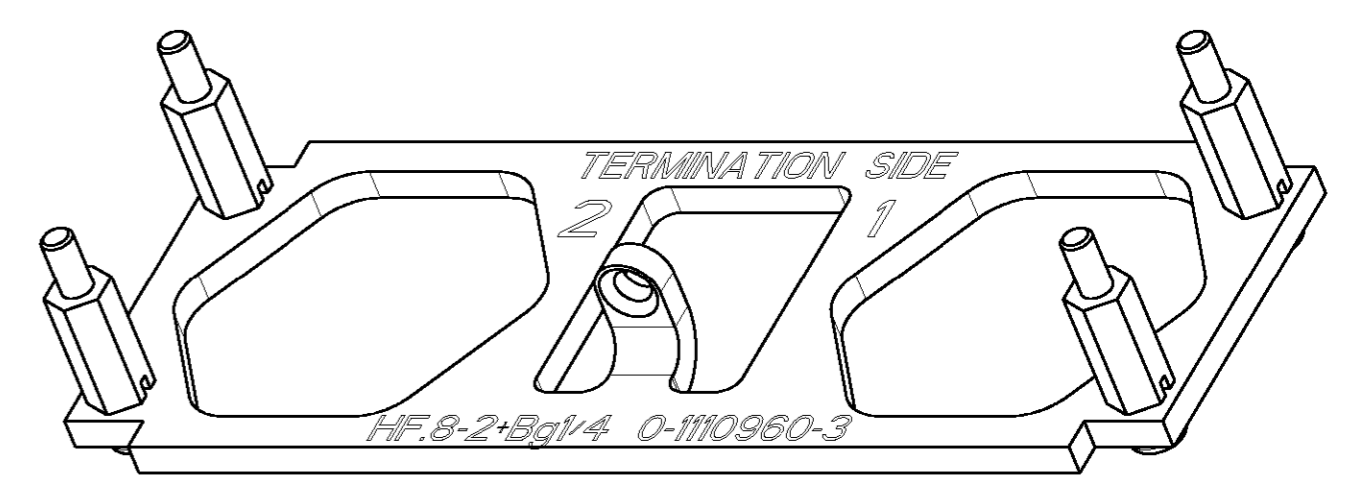
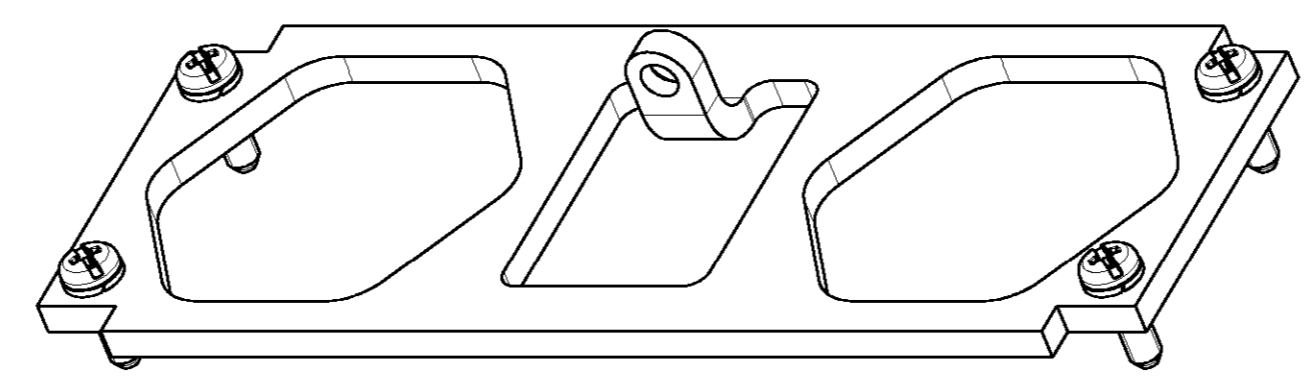
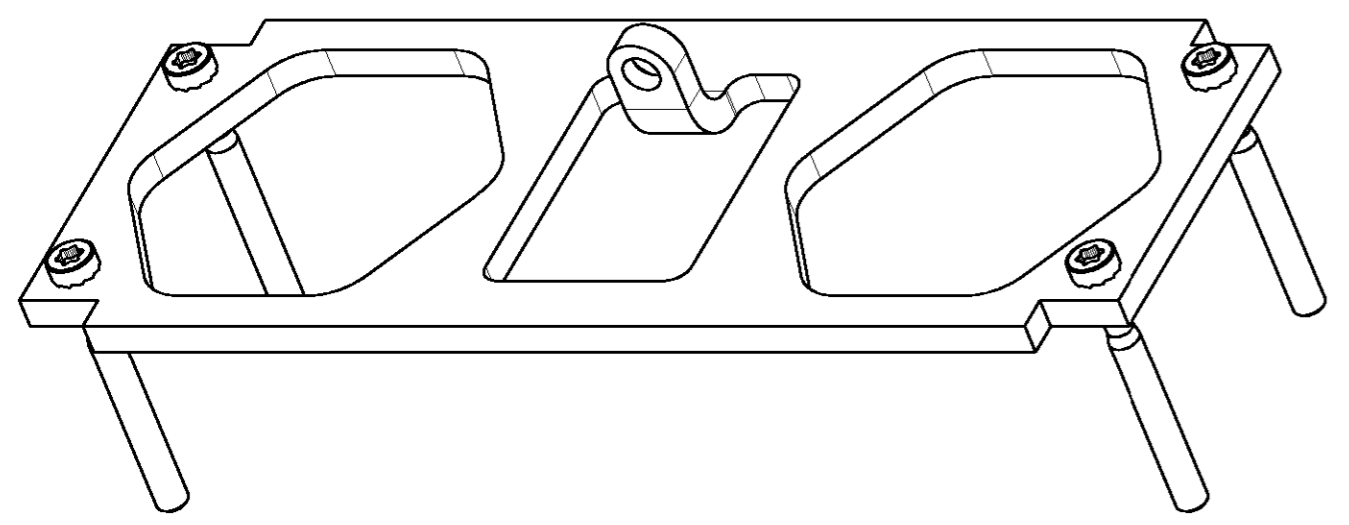
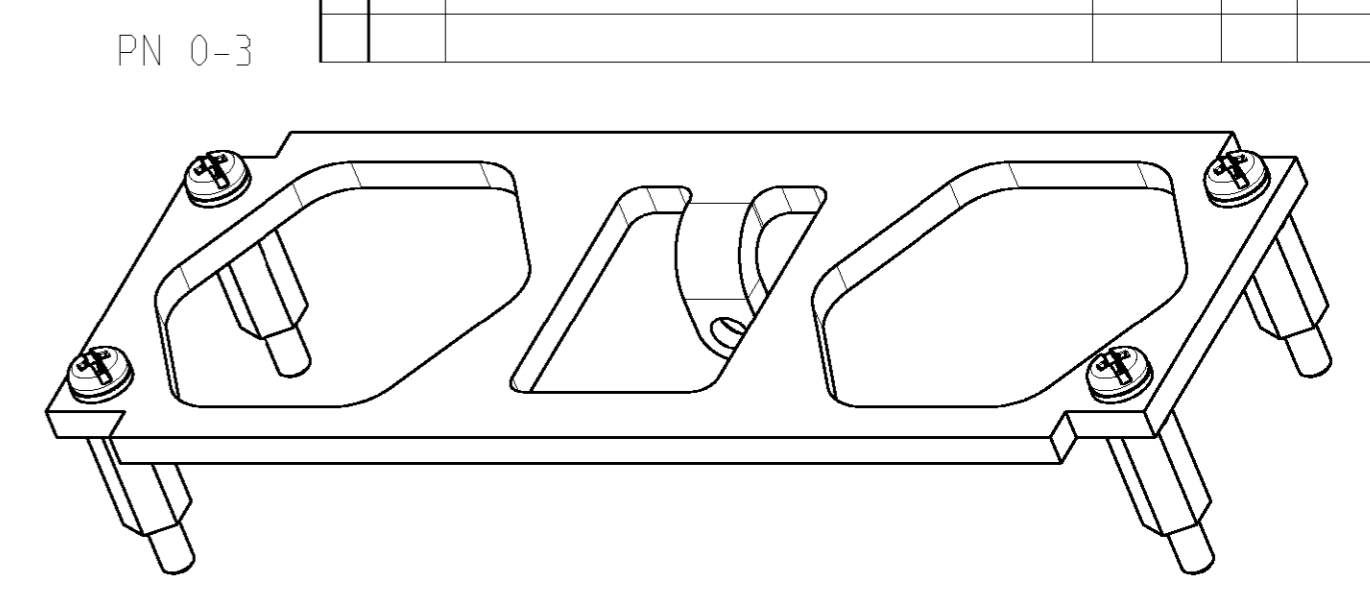
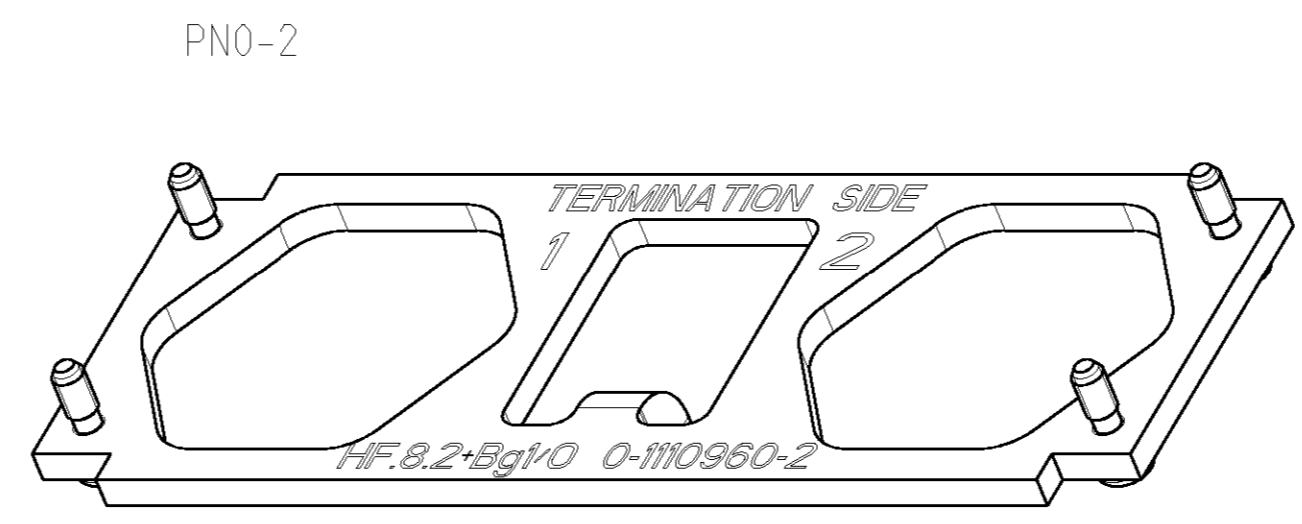
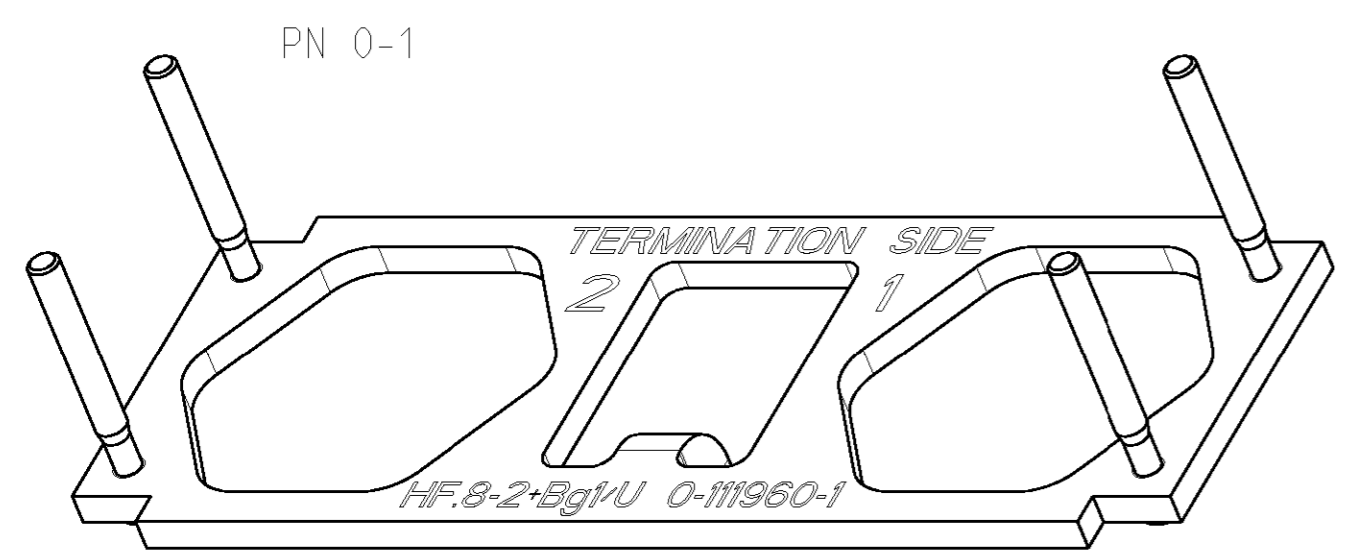
NAME: FIXING PLATE SERIES HF, SIZE 8

SIZE: A2 CAGE CODE: 00779 DRAWING NO: 1110960 RESTRICTED TO: -
 SCALE: 1:1 SHEET 1 OF 2 REV B2

DIMENSIONS: mm TOLERANCES UNLESS OTHERWISE SPECIFIED:
 0 PLC ±-
 1 PLC ±-
 2 PLC ±-
 3 PLC ±-
 4 PLC ±-
 ANGLES ±1°
 MATERIAL FINISH

THIS DRAWING IS UNPUBLISHED. RELEASED FOR PUBLICATION 2006
 © COPYRIGHT 2006 BY TYCO ELECTRONICS CORPORATION. ALL RIGHTS RESERVED.

LOC		DIST		REVISIONS			
P	LTR	DESCRIPTION	DATE	DWN	APVD		
A1	-	SEE SHEET 1	-	-	-		



NOTES SEE PAGE 1

DIMENSIONS: mm 		TOLERANCES UNLESS OTHERWISE SPECIFIED: 0 PLC ±- 1 PLC ±- 2 PLC ±- 3 PLC ±- 4 PLC ±- ANGLES ±1° FINISH		DWN J.STOECKER 28FEB2007 CHK H.BRAUN 28FEB2007 APVD T.SCHNURPFEL 28FEB2007 PRODUCT SPEC APPLICATION SPEC WEIGHT -		tyco Electronics tyco Electronics AMP GmbH 53819 Neunkirchen (Germany)	
MATERIAL -				NAME FIXING PLATE SERIES HF, SIZE 8		SIZE A2 CAGE CODE 00779 DRAWING NO. C-1110960 RESTRICTED TO -	
				SCALE 1:1 SHEET 2 OF 2 REV B2			

X-ON Electronics

Largest Supplier of Electrical and Electronic Components

Click to view similar products for [Heavy Duty Power Connectors](#) category:

Click to view products by [TE Connectivity](#) manufacturer:

Other Similar products are found below :

[647757-1](#) [6643411-1](#) [6646058-2](#) [6646137-1](#) [6646138-1](#) [6646479-1](#) [6646608-1](#) [6646786-1](#) [6646940-1](#) [6651091-1](#) [6651525-1](#) [6651529-1](#)
[6651788-1](#) [696475-1](#) [702-32-01109](#) [703-25-02205](#) [73000005059](#) [73000005642](#) [73080255059](#) [73080965046](#) [765-15-0080A](#) [765-16-0080B](#)
[765-18-0080D](#) [829992-1](#) [902-77-02113](#) [PS00/A0620/6300](#) [PS25/A0420/63](#) [129-1J](#) [1409400](#) [AN0024023](#) [E6374G1](#) [e6389g2](#) [157-43GW8](#)
[MS3117-14AC](#) [1643543-1](#) [1650540-1](#) [1651811-2](#) [1766260-1](#) [1766282-1](#) [1766966-1](#) [1791340000](#) [NLDFT-3-BL-L-S120-M40A](#) [NLDFT-N-](#)
[W-L-C240-M40B](#) [NLS-2-R-C240-M40B](#) [NLS-N-W-C240-M40B](#) [NPS-3-BL-T6](#) [1986615-1](#) [2-1589900-8](#) [2199314-1](#) [KA8102](#)