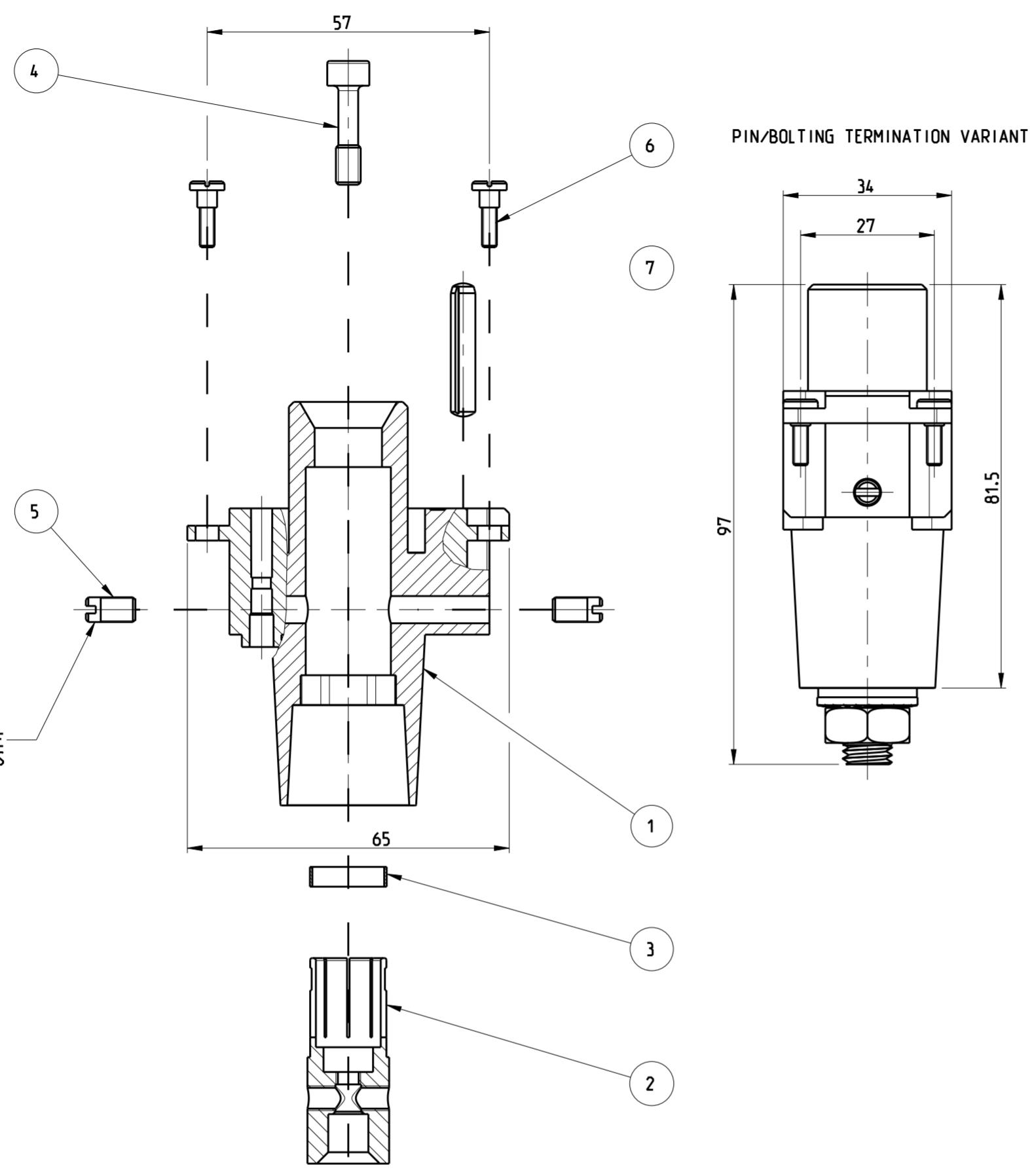


THIS DRAWING IS UNPUBLISHED. RELEASED FOR PUBLICATION 1997
 (C) COPYRIGHT 1997 ALL RIGHTS RESERVED.

LOC	DIST	REVISIONS			
P	LTR	DESCRIPTION	DATE	DWN	APVD
A1	-	B6	ECR-16-009338	08DEC2016	GCM MKO

- NOTES:
- PIN/BOLT VARIANT: POS.4 FITTED WITH POS.17 BOLTING AND POS.14, 15 AND 16 MOUNTED ON BOLT TERMINATION
 - SCREW VARIANT: POS.4 OF FITTED WITH POS.9 BOLTING POS.6, 7 AND 8 IN POLY BAG PACKING
 - PACKAGING QUANTITY: 5 PIECES IN A CARTON BOX
 - OBsolete PARTS: OBSOLETE CIS STREAMLINING PER D.RENAUD/D.SINISI

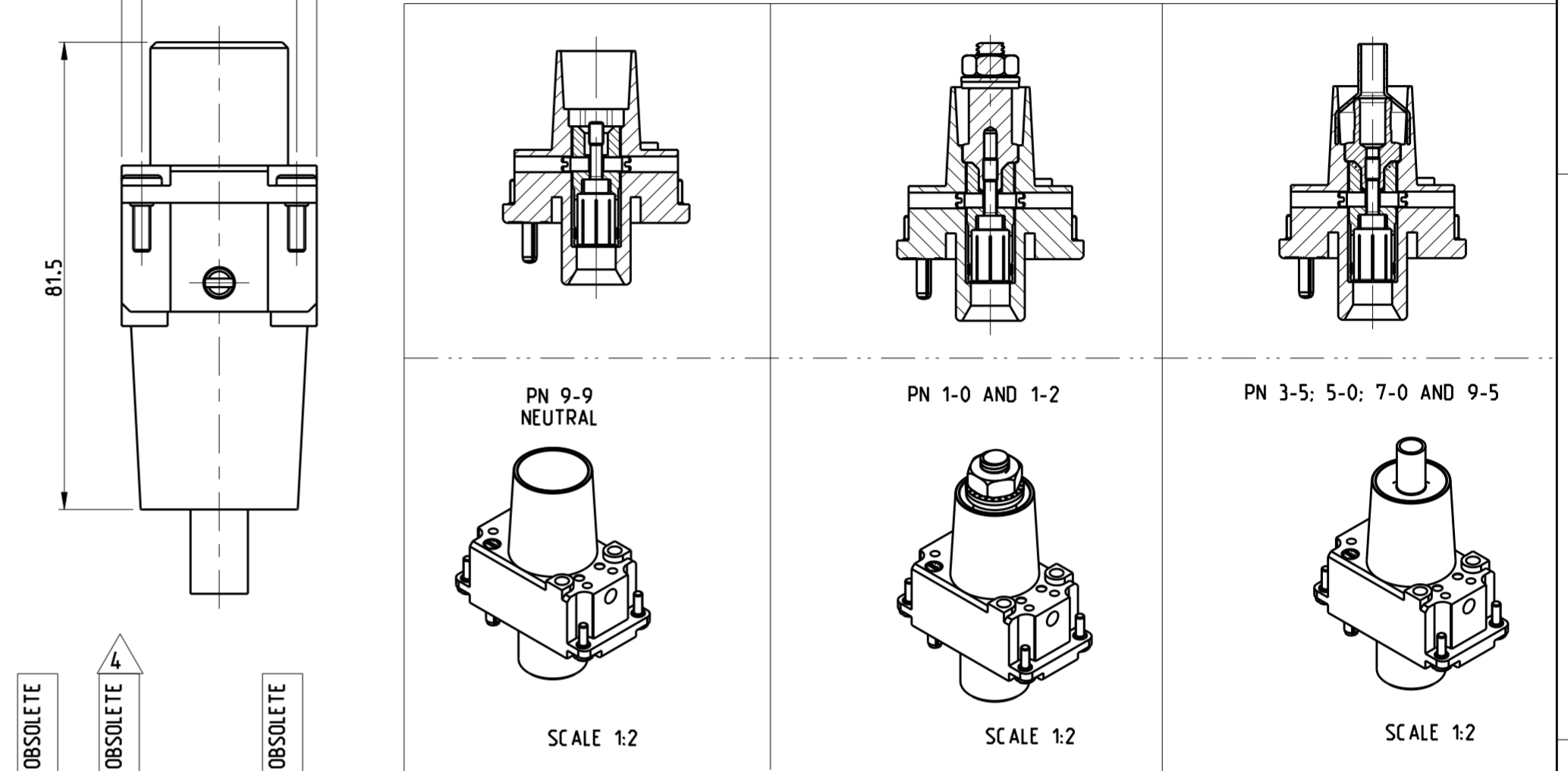
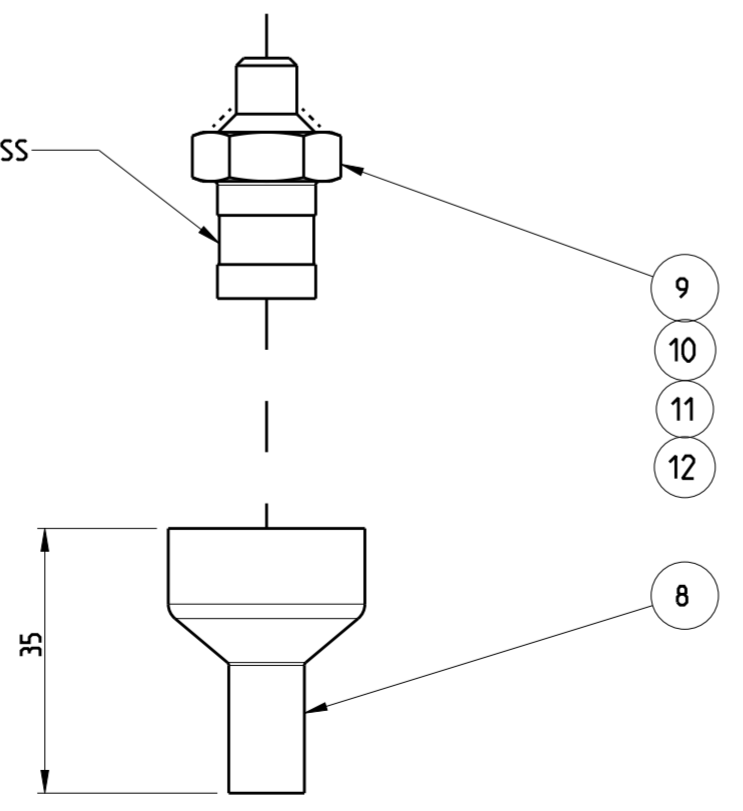
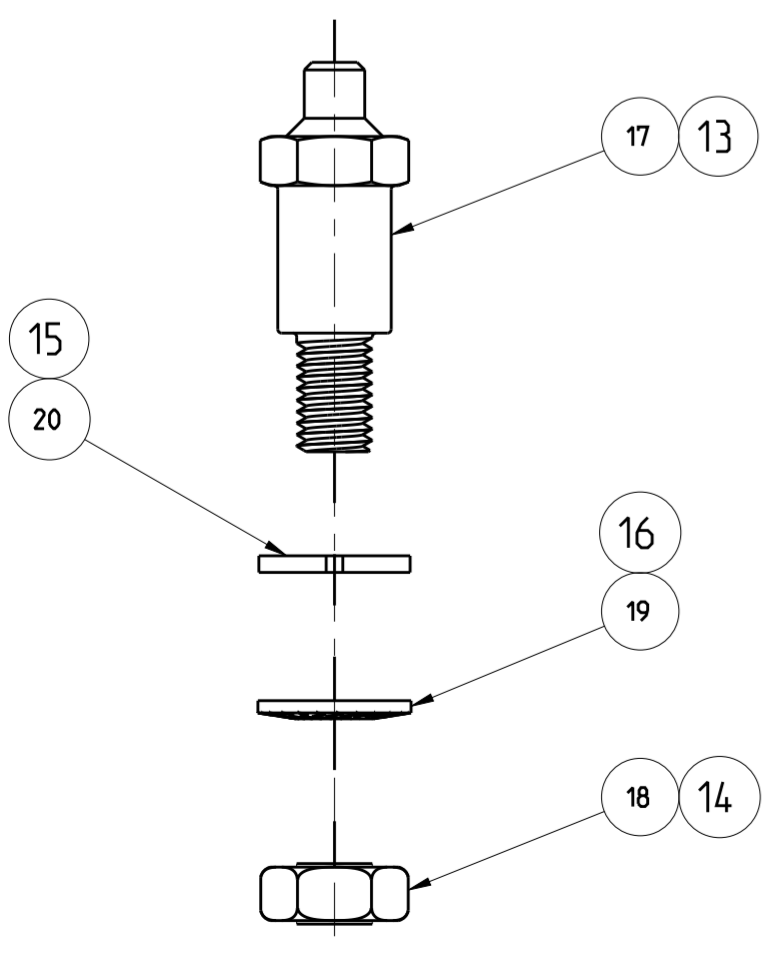


WITH LOCTITE SECURE SCREW POS.4 MUST BE ABLE TO PASS

PIN/BOLTING TERMINATION VARIANT

SCREW VARIANT

CRIMPING PROCESS



QTY	DESCRIPTION	MATERIAL	ITEM NO	SURFACE	COLOR	REMARKS
1	WASHER, PLAIN	BRASS	20	SILVERED		DIN 125
1	WASHER	STEEL	19	SILVERED		SKS10
1	NUT M10	MILD STEEL	18	SILVERED		DIN EN 28673
1	BOLT TERMINATION FOR SOCKET CONTACT AG	CuZn39Pb2	17	SILVERED		
-	WASHER	STEEL	16	SILVERED		SKS12
-	WASHER, PLAIN	BRASS	15	SILVERED		DIN 125
-	NUT M12	MILD STEEL	14	SILVERED		DIN EN 28673
-	BOLT TERMINATION FOR SOCKET CONTACT AG	CuZn39Pb2	13	SILVERED		
-	BARREL 95mm2	CuTeP(2.1546)	12	SILVERED		
-	BARREL 70mm2	CuTeP(2.1546)	11	SILVERED		
-	BARREL 50mm2	CuTeP(2.1546)	10	SILVERED		
-	BARREL 35mm2	CuTeP(2.1546)	9	SILVERED		
-	SHRINKABLE TUBE	POLYOLEFIN	8		BLACK	35mm
2	Grooved pins / Rivet pins	STAINL.STEEL	7	BLANK		DIN EN 28740
4	SCREW, SLOTTED PAN HEAD	STAINL.STEEL	6	BLANK		DIN 923
2	SCREW M5	STAINLESS STEEL	5	BLANK		DIN 427
1	SCREW, HEX. SOCKET HEAD CAP	STAINL.STEEL	4	BLANK		SIMILARLY DIN EN ISO 4762
1	ROUND SPRING	STAINL.STEEL	3	BLANK		
1	SOCKET CONTACT FOR AG	Cu Sn 8	2	SILVERED		
1	FEMALE INSERT AG	PA66 (Ultramid A3x3G5)	1			

QTY	DESCRIPTION	ITEM NO	SURFACE	COLOR	REMARKS	
9-9	1-0	1-2	9-5	7-0	5-0	3-5
AM-1P-360-35.AG.Bu.C						
AM-1P-360-50.AG.Bu.C						
AM-1P-360-70.AG.Bu.C						
AM-1P-360-95.AG.Bu.C						
AM-1P-360.Bu-AG.M12						
AM-1P-360.Bu-AG.M10						
AM-1P-360.Bu-AG						

THIS DRAWING IS A CONTROLLED DOCUMENT.

DWN Kramer 24.11.97
 CHK Schweiger 24.11.97

APVD -

PRODUCT SPEC 108-74021
 APPLICATION SPEC 114-74023

WEIGHT ca. 180g

CUSTOMER DRAWING

SCALE 1:1 SHEET 1 OF 1 REV B6

STE TE Connectivity

ASSEMBLY SOCKET INSERT AG AM-4P/13

SIZE CAGE CODE DRAWING NO RESTRICTED TO
 A2 00779 C-1110028 -

X-ON Electronics

Largest Supplier of Electrical and Electronic Components

Click to view similar products for [Headers & Wire Housings](#) category:

Click to view products by [TE Connectivity](#) manufacturer:

Other Similar products are found below :

[892-18-020-10-001101](#) [58102-G61-06LF](#) [582553-1](#) [0009485154](#) [009176003701906](#) [0050291907](#) [LY20-4P-DT1-P1E-BR](#) [02.125.8002.8](#)
[609-3404](#) [61062-3](#) [61082-181009](#) [622-3653LF](#) [63453-116](#) [636-1030](#) [636-1427](#) [636-3427](#) [636-4007](#) [641938-9](#) [641991-4](#) [644827-2](#) [65817-010LF](#) [65817-015LF](#) [65863-015LF](#) [66207-023LF](#) [67095-007LF](#) [67601157](#) [68645-018](#) [68648-049](#) [70.362.1628.0](#) [70-4210](#) [70-4226B](#) [70-4853B](#) [707-5020](#) [707-5028](#) [71.350.2428.0](#) [71918-208LF](#) [71961-016LF](#) [733-134](#) [733-162](#) [754199-000](#) [760-3052](#) [787-8014-00](#) [79531-3000](#)
[FCN-360C032-B](#) [FCN-367T-T012/H](#) [FCN-723D010/2](#) [80.063.4001.1](#) [800-90-001-10-001000](#) [800-90-010-10-002000](#) [801-43-002-10-013000](#)