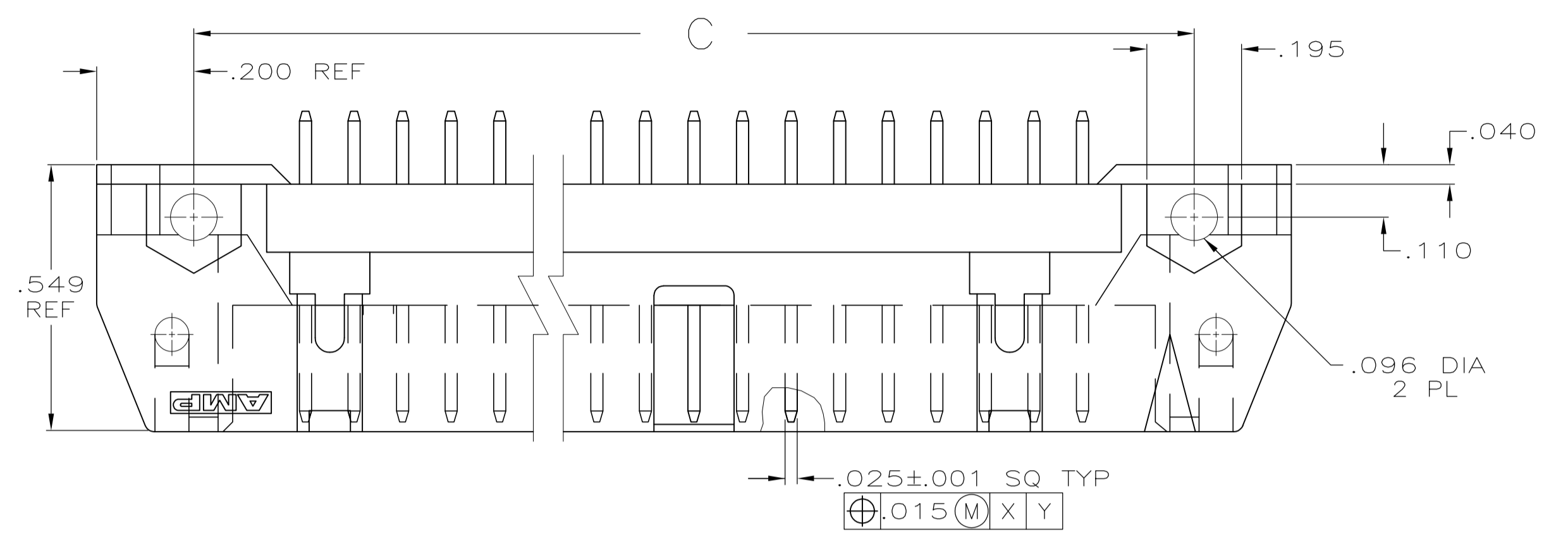
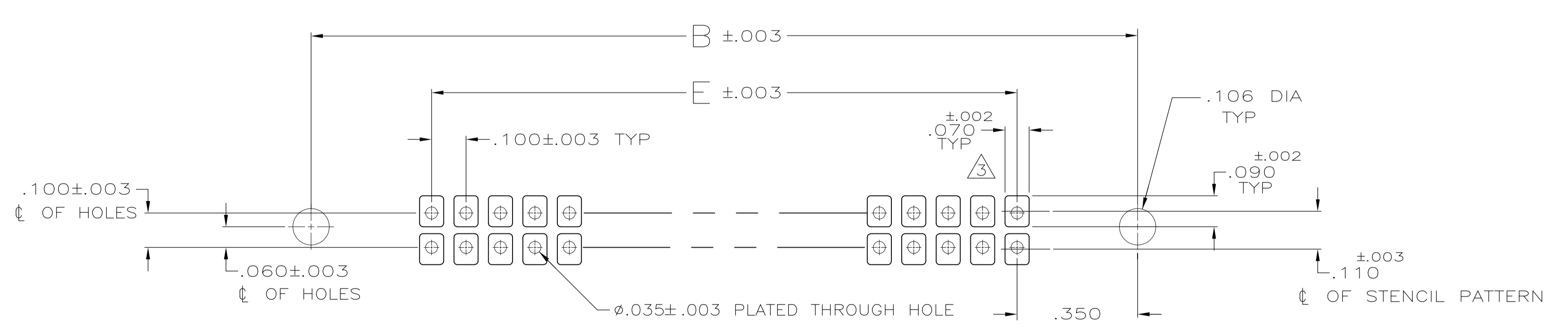
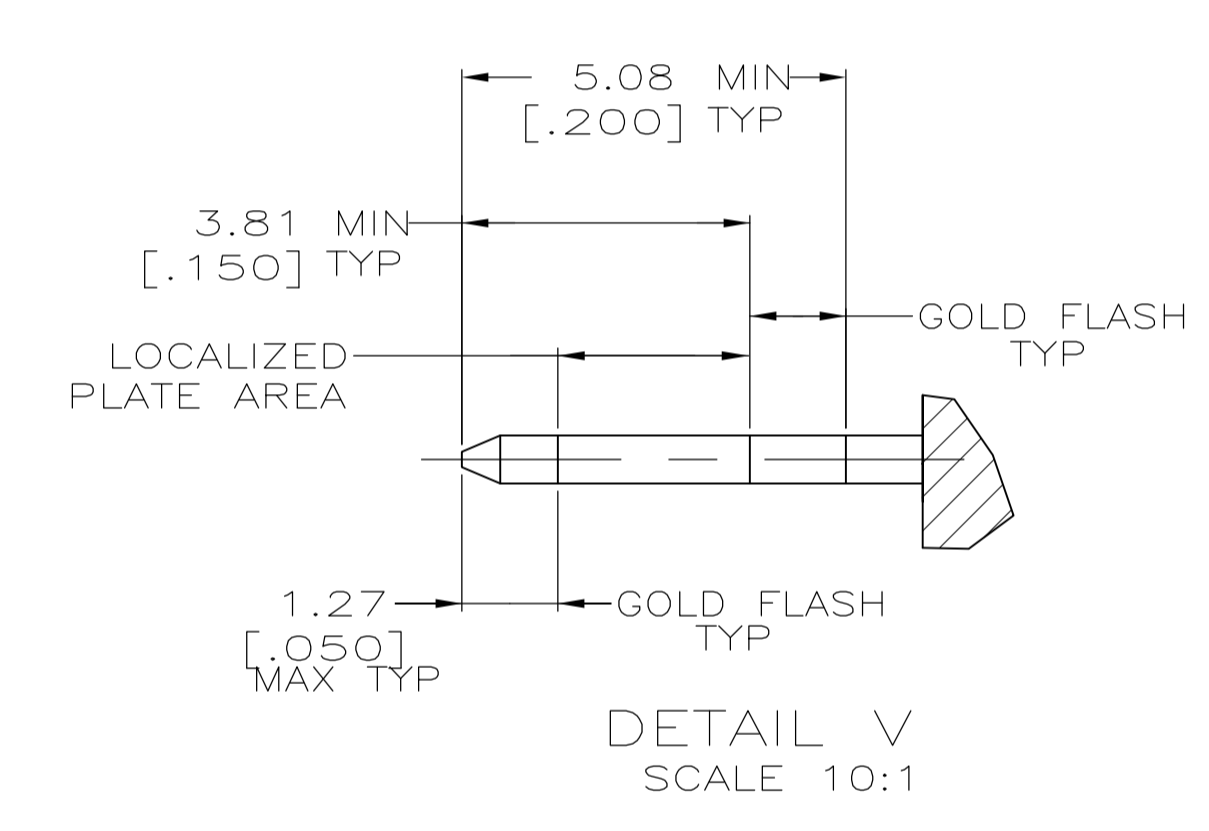
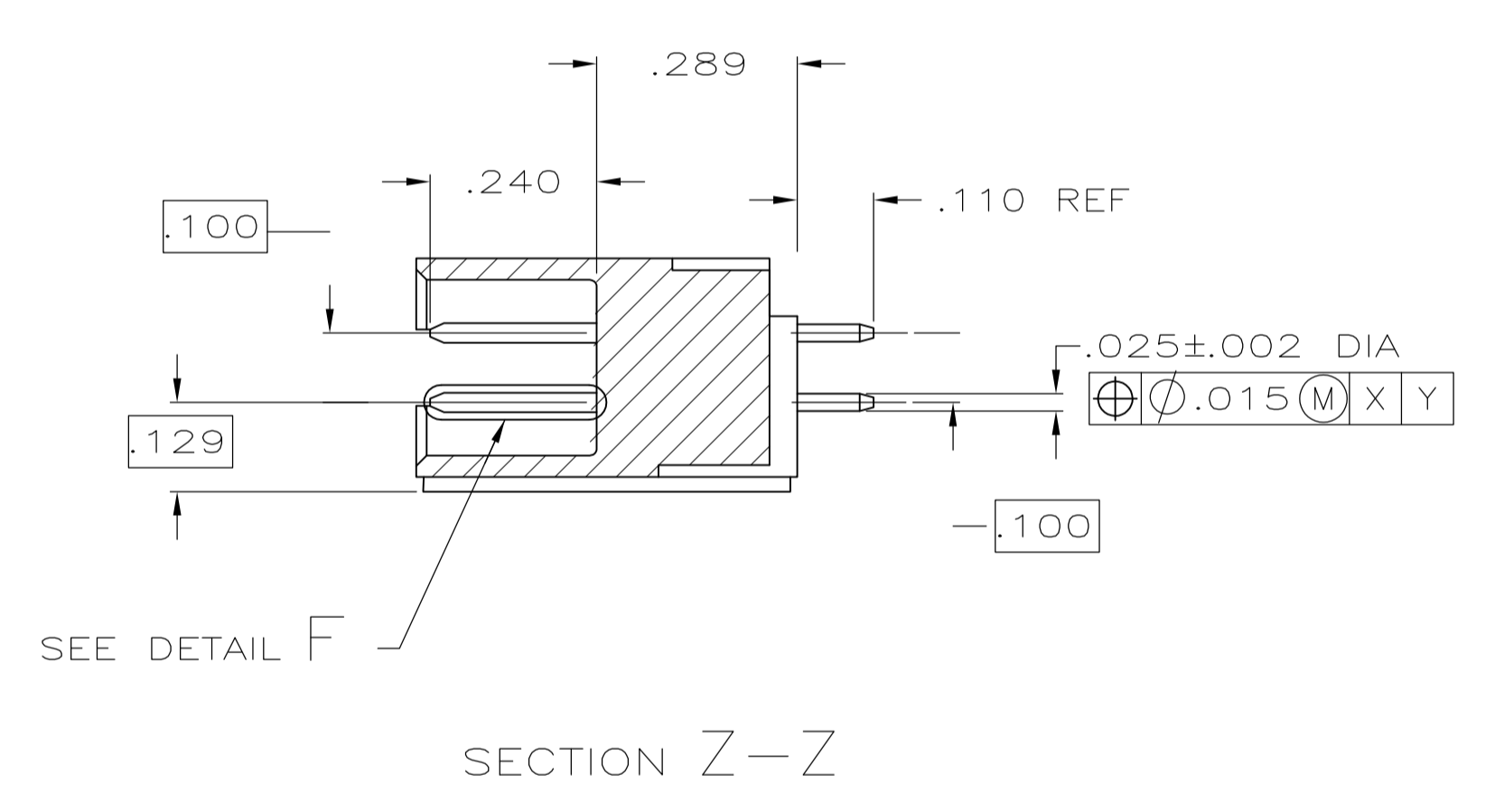
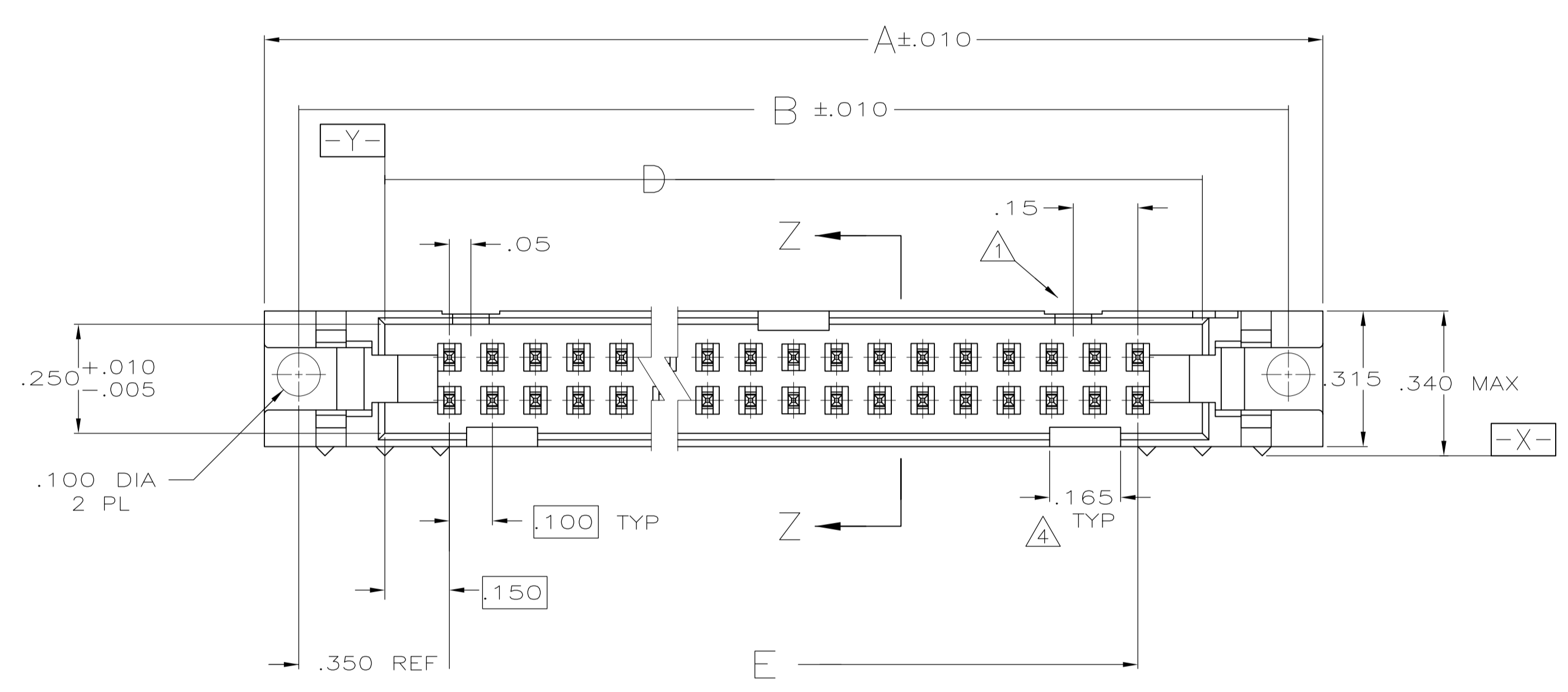


| LOC | | DIST | | REVISIONS | | | |
|-----|----|------|-----|---------------------------|---------|-----|------|
| GP | 00 | F | LTR | DESCRIPTION | DATE | DWN | APVD |
| | | H | | REVISED PER ECO-08-004045 | 26MAR08 | JDP | SLB |
| | | H1 | | REVISED PER ECO-09-021826 | 02SEP09 | KK | AEG |



- 1 NO SNAP-IN POLARIZING FEATURE ON THIS END FOR 10 & 14 POS. HEADERS.
- 2 POSTS: GOLD FLASH OVER PALLADIUM-NICKEL PLATE, .000030 MIN TOTAL ON THE LOCALIZED PLATE AREA, .000100 MIN TIN-LEAD PLATE ON THE SOLDER-TAIL, .000050 MIN NICKEL UNDERPLATE ON THE ENTIRE POST.
-OR-
.000030 MIN GOLD PLATE ON THE LOCALIZED PLATE AREA, .000100 MIN TIN-LEAD PLATE ON THE SOLDER-TAIL, .000050 MIN NICKEL UNDERPLATE ON THE ENTIRE POST.
- 3 RECOMMENDED STENCIL THICKNESS EQUALS .010
- 4 FOR 10 POS.HEADER ONLY, ONE SLOT LOCATED AS SHOWN.
- 5 PLATED WITH GOLD FLASH OVER .000050 NICKEL.
- 6 OBSOLETE PARTS: OBSOLETE CIS STREAMLINING PER D.RENAUD/D.SINISI



RECOMMENDED
P C BOARD MOUNTING DIMENSIONS

| | E | D | C | B | A | NO OF POSN | PART NUMBER |
|---------------------------|-------|-------|-------|------|------|------------|-------------|
| OBSOLETE | 2.100 | 2.400 | 2.560 | 2.80 | 2.96 | 44 | 1-111008-3 |
| | 3.100 | 3.400 | 3.560 | 3.80 | 3.96 | 64 | 1-111008-2 |
| 6 SUPERSEDED BY 5111008-1 | 2.900 | 3.200 | 3.360 | 3.60 | 3.76 | 60 | 1-111008-1 |
| | 2.400 | 2.700 | 2.860 | 3.10 | 3.26 | 50 | 1-111008-0 |
| | 1.900 | 2.200 | 2.360 | 2.60 | 2.76 | 40 | 111008-9 |
| | 1.600 | 1.900 | 2.060 | 2.30 | 2.46 | 34 | 111008-8 |
| 6 SUPERSEDED BY 5111008-7 | 1.400 | 1.700 | 1.860 | 2.10 | 2.26 | 30 | 111008-7 |
| | 1.200 | 1.500 | 1.660 | 1.90 | 2.06 | 26 | 111008-6 |
| 6 SUPERSEDED BY 5111008-5 | 1.100 | 1.400 | 1.560 | 1.80 | 1.96 | 24 | 111008-5 |
| OBSOLETE | .900 | 1.200 | 1.360 | 1.60 | 1.76 | 20 | 111008-4 |
| 6 SUPERSEDED BY 102154-3 | .700 | 1.000 | 1.160 | 1.40 | 1.56 | 16 | 111008-3 |
| OBSOLETE | .600 | .900 | 1.060 | 1.30 | 1.46 | 14 | 111008-2 |
| | .400 | .700 | .860 | 1.10 | 1.26 | 10 | 111008-1 |

THIS DRAWING IS A CONTROLLED DOCUMENT.

DIMENSIONS: INCHES

TOLERANCES UNLESS OTHERWISE SPECIFIED:

| | |
|------|--------|
| 0 PL | ± .005 |
| 1 PL | ± .005 |
| 2 PL | ± .005 |
| 3 PL | ± .005 |
| 4 PL | ± .005 |

ANGLES: ± .5°

MATERIAL: WOLDED PARTS: MAX. 0. RATED THERMAL STRESS: COLOR: RED POSTS: PHOS BRONZE OR BRASS

FINISH: 1

THIS DRAWING IS A CONTROLLED DOCUMENT.

DIN: J.L.GROFT 11-7-85

CHK: M.E.SCALANTE 12-5-85

APVD: G. HAWK 12-19-85

NAME: AMP-LATCH UNIVERSAL HEADER, .025 SQ POST, .100 X .100CL, STRAIGHT, FOR VAPOR-PHASE APPLICATIONS

SIZE: A1

WEIGHT: —

CUSTOMER DRAWING

SCALE: 4:1

SHEET: 1 OF 1

REV: H1

Tyco Electronics Corporation
Harrisburg, PA 17105-3608

X-ON Electronics

Largest Supplier of Electrical and Electronic Components

Click to view similar products for [Headers & Wire Housings](#) category:

Click to view products by [TE Connectivity](#) manufacturer:

Other Similar products are found below :

[95000-104TRLF](#) [10135584-644402LF](#) [DF62W-EP2022PCA](#) [95000-106TRLF](#) [DF62W-2022SCA](#) [DF62W-EP2022PC](#) [2203348](#) [DF62W-2022SC](#) [1084018](#) [1029039](#) [1084017](#) [802-10-012-10-002000](#) [1112640](#) [1112639](#) [000-34000](#) [0009482033](#) [0009507031](#) [57102-S06-03LF](#) [57202-S52-04LF](#) [PCN6-15S-2.5E](#) [0039019024](#) [58102-G61-06LF](#) [582553-1](#) [0009508121](#) [0050291907](#) [018731A](#) [LY20-4P-DT1-P1E-BR](#) [02.125.8002.8](#) [60101931](#) [60598-1 \(Cut Strip\)](#) [M1625-3R/100](#) [61062-3](#) [61082-181009](#) [636-1427](#) [638009-1](#) [641938-9](#) [641991-4](#) [644168-1](#) [647662-1](#) [65039-019ELF](#) [65817-002LF](#) [65817-015LF](#) [65863-015LF](#) [66207-023LF](#) [67016-026LF](#) [67046-001LF](#) [67095-007LF](#) [68002-116](#) [68016-236H](#) [68648-049](#)