

THIS DRAWING IS UNPUBLISHED  
VERTRÄULICHE UNVERÖFFENTLICHE ZEICHNUNG

RELEASE FOR PUBLIKATION  
FREI FUER VERÖFFENTLICHUNG

MATED WITH:  
PASSEND ZU:  
1110948, 1110949

LOC  
AI

DIST  
-

P

LTR

REVISIONS  
ÄNDERUNGEN

DESCRIPTION  
BESCHREIBUNG

DATE

DWN

APVD

© COPYRIGHT 2000

BY AMP INCORPORATED

ALL RIGHTS RESERVED  
ALLE RECHTE VORBEHALTEN

PROJEKT NR.  
B901815

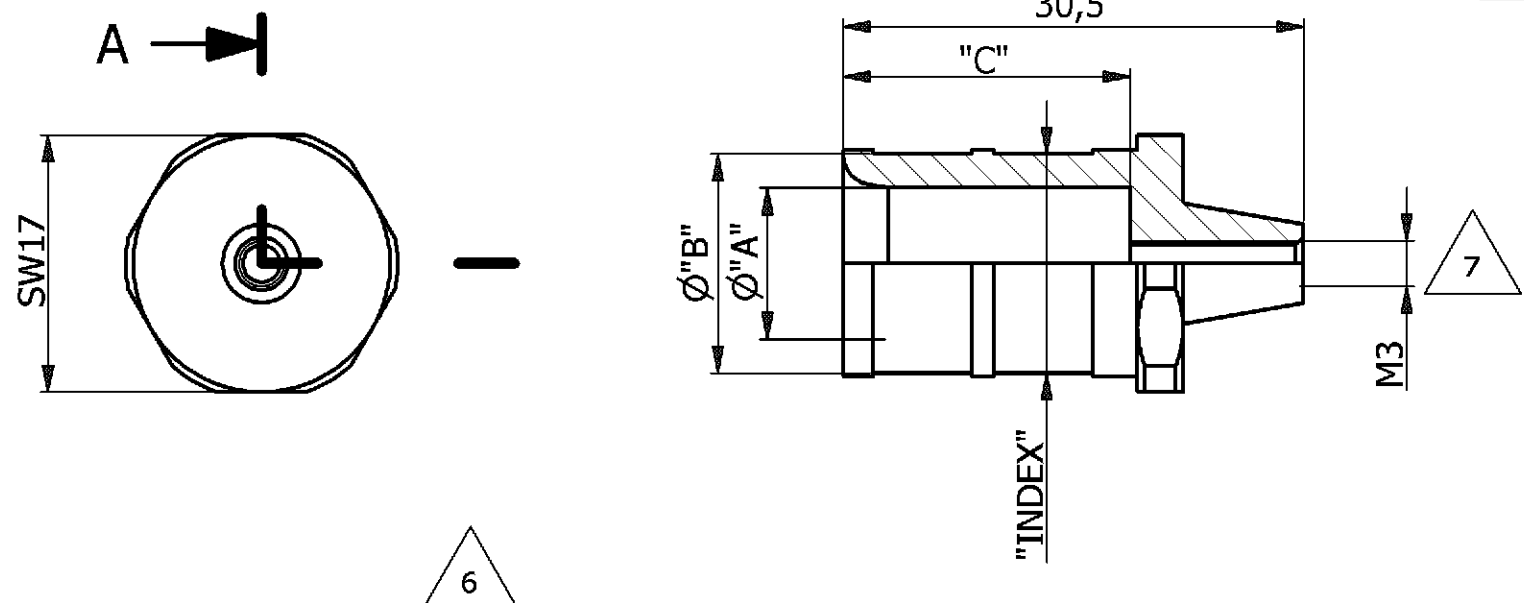
B3

ECR-05-015793 PN 1-1 ADDED

25.10.2005

BR

ST

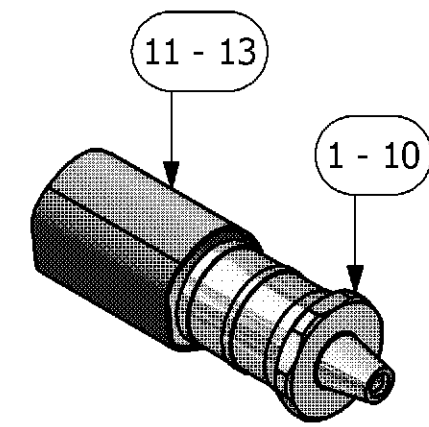


### NOTES

- SUITABLE CONTACTS: SERIES HF06  
CUSTOMER DRAWING: 11100948, 1110949
  - SUITABLE CONTACTS: SERIES HF08  
CUSTOMER DRAWING: 1103037, 1103038
  - SUITABLE CRIMPING TOOL: HYDR. TOOL 30kN  
CUSTOMER DRAWING: 1105653
  - SUITABLE CRIMPING TOOL: HYDR. TOOLS 60kN  
CUSTOMER DRAWING: 1110956
  - DIE SIZE "INDEX" ACC. TO DIN 48083, SEE  
CUSTOMER DRAWINGS OF CRIMPING TOOLS
- △ SHRINK. TUBE ACC. TO MIL I-23053 B/5, RATE 3:1
- STANDARDS:  
DIN EN 61984; DIN EN 60664-1
  - PACKAGING:  
10 SETS IN A CARTON

INDEX ACC.	A	B	C	MATERIAL	SURFACE	WEIGHT [kg]	NOTE	ITEM
-	-	-	-	PO	BLACK	0,004	18 / 45	14
1	1	1	-	PO	BLACK	0,003	18 / 25	13
-	-	-	-	PO	BLACK	0,002	12 / 25	12
1	-	-	-	COPPER	SILVER PLATED	0,018	WIRE SIZE 50 MM <sup>3</sup>	11
-	1	-	-	COPPER	SILVER PLATED	0,027	WIRE SIZE 70 MM <sup>3</sup>	10
-	-	1	-	COPPER	SILVER PLATED	0,024	WIRE SIZE 50 MM <sup>3</sup>	9
-	-	-	1	COPPER	SILVER PLATED	0,025	WIRE SIZE 48 MM <sup>3</sup>	8
-	-	-	-	COPPER	SILVER PLATED	0,021	WIRE SIZE 35 MM <sup>3</sup>	7
-	-	-	1	COPPER	SILVER PLATED	0,020	WIRE SIZE 30 MM <sup>3</sup>	6
-	-	-	-	COPPER	SILVER PLATED	0,016	WIRE SIZE 25 MM <sup>3</sup>	5
-	-	-	-	COPPER	SILVER PLATED	0,014	WIRE SIZE 18 MM <sup>3</sup>	4
-	-	-	-	COPPER	SILVER PLATED	0,015	WIRE SIZE 16 MM <sup>3</sup>	3
-	-	-	-	COPPER	SILVER PLATED	0,011	WIRE SIZE 10 MM <sup>3</sup>	2
-	-	-	-	COPPER	SILVER PLATED	0,010	WIRE SIZE 06 MM <sup>3</sup>	1

PART NO. / QUANTITY	DESCRIPTION	INDEX ACC.	A	B	C	MATERIAL	SURFACE	WEIGHT [kg]	NOTE	ITEM
1-1	ORDERING TEXT: CH.6 MM <sup>2</sup> -6MM WIRE: H07V-K 1x6MM <sup>2</sup>									
1-0	ORDERING TEXT: CH.10.MM <sup>2</sup> -6MM WIRE: H07V-K 1x10MM <sup>2</sup>									
0-9	ORDERING TEXT: CH.16 MM <sup>2</sup> -6MM WIRE: H07V-K 1x16MM <sup>2</sup>									
0-8	ORDERING TEXT: CH.18.MM <sup>2</sup> -6MM WIRE: RADOX 155, ZYRAD 555, BETATHERM 155 3x6MM <sup>2</sup>									
0-7	ORDERING TEXT: CH.25 MM <sup>2</sup> -6MM WIRE: H07V-K 1x25MM <sup>2</sup>									
0-6	ORDERING TEXT: CH.30.MM <sup>2</sup> -6MM WIRE: RADOX 155, ZYRAD 555, BETATHERM 155 3x10MM <sup>2</sup>									
0-5	ORDERING TEXT: CH.35 MM <sup>2</sup> -6MM WIRE: LAPP H07V-K, H07V-K UL STYLE 1015, CSA, TEW 1x35MM <sup>2</sup>									
0-4	ORDERING TEXT: CH.48.MM <sup>2</sup> -6MM WIRE: RADOX 155, ZYRAD 555, BETATHERM 155 3x16MM <sup>2</sup>									
0-3	ORDERING TEXT: CH.50 MM <sup>2</sup> -6MM WIRE: LAPP H07V-K, H07V-K UL STYLE 1015, CSA, TEW 1x50MM <sup>2</sup>									
0-2	ORDERING TEXT: CH.70.MM <sup>2</sup> -6MM WIRE: LAPP H07V-K, H07V-K UL STYLE 1015, CSA, TEW 1x70MM <sup>2</sup> , 2x35MM <sup>2</sup>									
0-1	ORDERING TEXT: CH.50H.MM <sup>2</sup> -6MM WIRE: HIGH FLEX. WIRE ACC. TO DIN 46438									



M 1:1

THIS DRAWING IS A CONTROLLED DOCUMENT FOR AMP INCORPORATED. IT IS SUBJECT TO CHANGE AND THE CONTROLLING ENGINEERING ORGANIZATION SHOULD BE CONTACTED FOR THE LATEST REVISION. DIESSES ZEICHNUNGSDOKUMENT WIRD DURCH AMP INCORPORATED KONTROLLIERT. ÄNDERUNGEN, DIE DEM TECHNISCHEN FORTSCHRITT DIENEN, SIND VORBEHALTEN. DEN JEWEILS LETZTGÜLTIGEN ÄNDERUNGSSTAND ERFAHREN SIE AUF ANFRAGE.

DIMENSIONS: DIMENSIONEN: mm	TOLERANCES UNLESS OTHERWISE SPECIFIED: ALLGEMEINTOLERANZEN
	n. ISO 8015 - n. ISO 2768 - mH-E n. DIN 16901- 140
MATERIAL	FINISH / OBERFLÄCHE / FARBE

DWN	25.10.2005		Tyco / Electronics AMP GmbH D - 53819 Neunkirchen				
H.BRAUN	CHK						
APVD	25.10.2005	NAME	CRIMP BARREL SERIES HF06, HF08				
T.SCHNURPFEIL	PRODUCT SPEC. / PRODUKTSPEZ.	108-74024	SIZE	CAGE CODE	DRAWING NO. / ZEICHNUNGS-NR.	RESTRICTED TO NUR FUER	
114-74031	APPLICATION SPEC. / VERARBEITUNGSSPEZ.	114-74031	A3	00779	1110952		
SEE TABLE	WEIGHT / GEWICHT	CUSTOMER DRAWING / KUNDENZEICHNUNG	SCALE / MASSSTAB	2:1	SHEET / BLATT	1 OF / VON 1	REV. B3

K:\Prod\_Eng\3D-Modelle\Krimp\1110952.dwg

## X-ON Electronics

Largest Supplier of Electrical and Electronic Components

*Click to view similar products for [Heavy Duty Power Connectors](#) category:*

*Click to view products by [TE Connectivity](#) manufacturer:*

Other Similar products are found below :

[647757-1](#) [6643411-1](#) [6646058-2](#) [6646137-1](#) [6646138-1](#) [6646479-1](#) [6646608-1](#) [6646786-1](#) [6646940-1](#) [6651091-1](#) [6651525-1](#) [6651529-1](#)  
[6651788-1](#) [696475-1](#) [702-32-01109](#) [703-25-02205](#) [73000005059](#) [73000005642](#) [73080255059](#) [73080965046](#) [765-15-0080A](#) [765-16-0080B](#)  
[765-18-0080D](#) [829992-1](#) [902-77-02113](#) [PS00/A0620/6300](#) [PS25/A0420/63](#) [129-1J](#) [1409400](#) [AN0024023](#) [E6374G1](#) [e6389g2](#) [157-43GW8](#)  
[MS3117-14AC](#) [1643543-1](#) [1650540-1](#) [1651811-2](#) [1766260-1](#) [1766282-1](#) [1766966-1](#) [1791340000](#) [NLDFT-3-BL-L-S120-M40A](#) [NLDFT-N-](#)  
[W-L-C240-M40B](#) [NLS-2-R-C240-M40B](#) [NLS-N-W-C240-M40B](#) [NPS-3-BL-T6](#) [1986615-1](#) [2-1589900-8](#) [2199314-1](#) [KA8102](#)