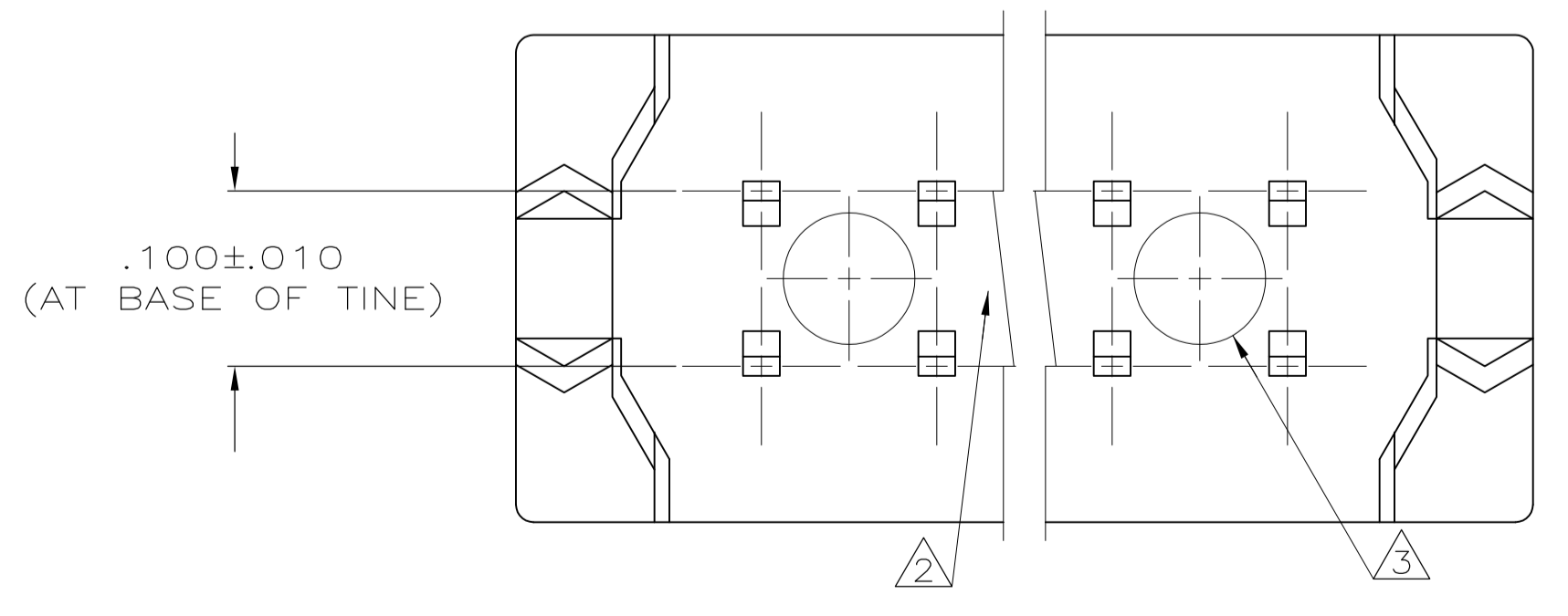
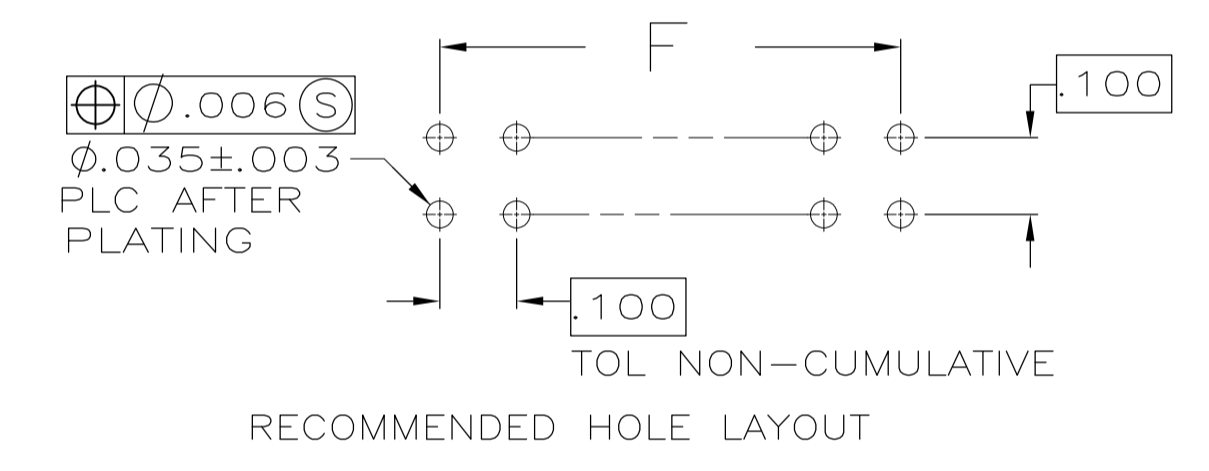


- △ CONTACTS DESIGNED FOR 26 & 28 AWG STRANDED OR 26, 28 & 30 AWG SOLID WIRE.
- △ AMP TRADEMARK LOCATED IN APPROX AREA SHOWN.
- △ STANDOFFS: POS 10 (2) STANDOFFS AS SHOWN.
 14-16 (3) STANDOFFS, (1) CENTERED BETWEEN (2) SHOWN
 20-26 (4) (2)
 30 (5) (3)
 34 (6) (4)
 40-44 (7) (5)
 50 (8) (6)
 60 (9) (7)
 64 (10) (8)
- △ .000100-.000200 BRIGHT TIN-LEAD, ALL OVER .000050 NICKEL.
- △ HEIGHT AFTER TERMINATION IS .253 ±.010.
- 6. FOR USE IN .062 - .093" THICK PCB.
- △ .000005 MIN GOLD ON RIBBON CABLE TERMINATION AREA, .000100-.000200 MATTE TIN ON SOLDER TAILS, ALL OVER .000050 MIN NICKEL.
- △ MOLDED PARTS, 94V-0 RATED THERMOPLASTIC, COLOR: BLACK
 CONTACTS: PHOS BRONZE.



△	24	2.680	48	49	50	2-111382-0
△	16	1.880	32	33	34	1-111382-9
△	12	1.480	24	25	26	1-111382-8
△	9	1.180	18	19	20	1-111382-7
△	7	0.980	14	15	16	1-111382-6
△	4	.680	8	9	10	1-111382-4
OBSOLETE	21	2.380	42	43	44	1-111382-3
OBSOLETE	31	3.380	62	63	64	1-111382-2
OBSOLETE	29	3.180	58	59	60	1-111382-1
OBSOLETE	24	2.680	48	49	50	1-111382-0
OBSOLETE	19	2.180	38	39	40	111382-9
OBSOLETE	16	1.880	32	33	34	111382-8
OBSOLETE	14	1.680	28	29	30	111382-7
OBSOLETE	12	1.480	24	25	26	111382-6
OBSOLETE	11	1.380	22	23	24	111382-5
OBSOLETE	9	1.180	18	19	20	111382-4
OBSOLETE	7	.980	14	15	16	111382-3
OBSOLETE	6	.880	12	13	14	111382-2
OBSOLETE	4	.680	8	9	10	111382-1
	CONTACT FINISH	D	C	B	A	NO OF POSN
						PART NO

THIS DRAWING IS A CONTROLLED DOCUMENT.

DIMENSIONS: INCHES	TOLERANCES UNLESS OTHERWISE SPECIFIED:	DIN 11-29-04	11-29-04
0 PLC ± -	1 PLC ± -	L VARELA - DOCKS	11-29-04
2 PLC ± -	3 PLC ± .005	C. RÖHDE	11-29-04
4 PLC ± -	ANGLES ± -	M. WALMSLEY	11-29-04

MATERIAL: △ CONTACTS: SEE TABLE

FINISH: △

APPROVED: M. WALMSLEY

NAME: KIT, DIP PLUG, PREASSEMBLED, .100 X .100 CENTERLINE, AMP-LATCH

PRODUCT SPEC: 108-40013

APPLICATION SPEC: 114-40005

SIZE: A1

WEIGHT: -

CAGE CODE: 00779

DRAWING NO: 111382

RESTRICTED TO: -

CUSTOMER DRAWING

SCALE: 10:1

SHEET: 1 OF 1

REV: L

X-ON Electronics

Largest Supplier of Electrical and Electronic Components

Click to view similar products for [Headers & Wire Housings](#) category:

Click to view products by [TE Connectivity](#) manufacturer:

Other Similar products are found below :

[892-18-020-10-001101](#) [58102-G61-06LF](#) [582553-1](#) [0009485154](#) [009176003701906](#) [0050291907](#) [LY20-4P-DT1-P1E-BR](#) [02.125.8002.8](#)
[609-3404](#) [61062-3](#) [61082-181009](#) [622-3653LF](#) [63453-116](#) [636-1030](#) [636-1427](#) [636-3427](#) [636-4007](#) [641938-9](#) [641991-4](#) [644827-2](#) [65817-010LF](#) [65817-015LF](#) [65863-015LF](#) [66207-023LF](#) [67095-007LF](#) [67601157](#) [68645-018](#) [68648-049](#) [70.362.1628.0](#) [70-4210](#) [70-4226B](#) [70-4853B](#) [707-5020](#) [707-5028](#) [71.350.2428.0](#) [71918-208LF](#) [71961-016LF](#) [733-134](#) [733-162](#) [754199-000](#) [760-3052](#) [787-8014-00](#) [79531-3000](#)
[FCN-360C032-B](#) [FCN-367T-T012/H](#) [FCN-723D010/2](#) [80.063.4001.1](#) [800-90-001-10-001000](#) [800-90-010-10-002000](#) [801-43-002-10-013000](#)