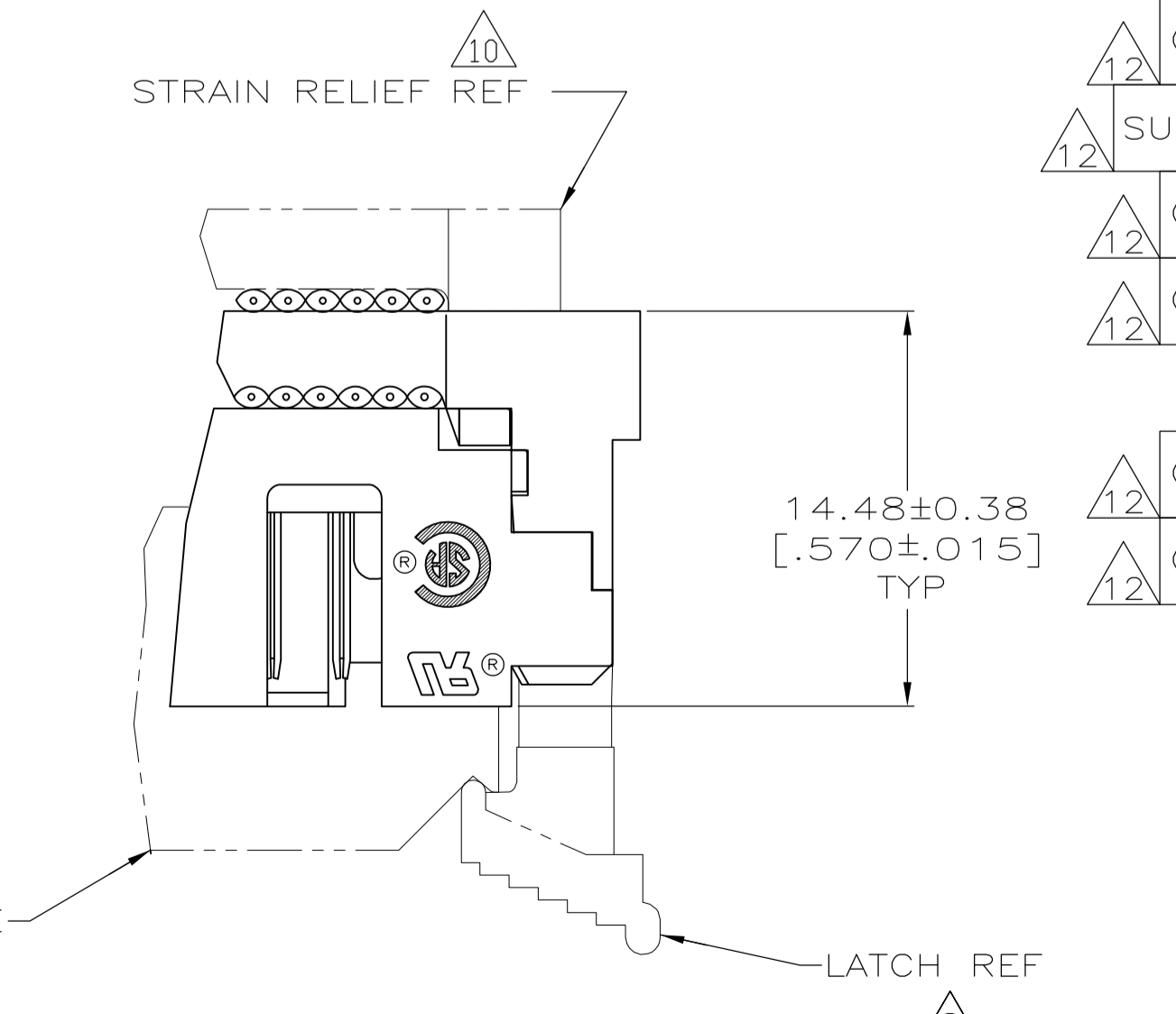
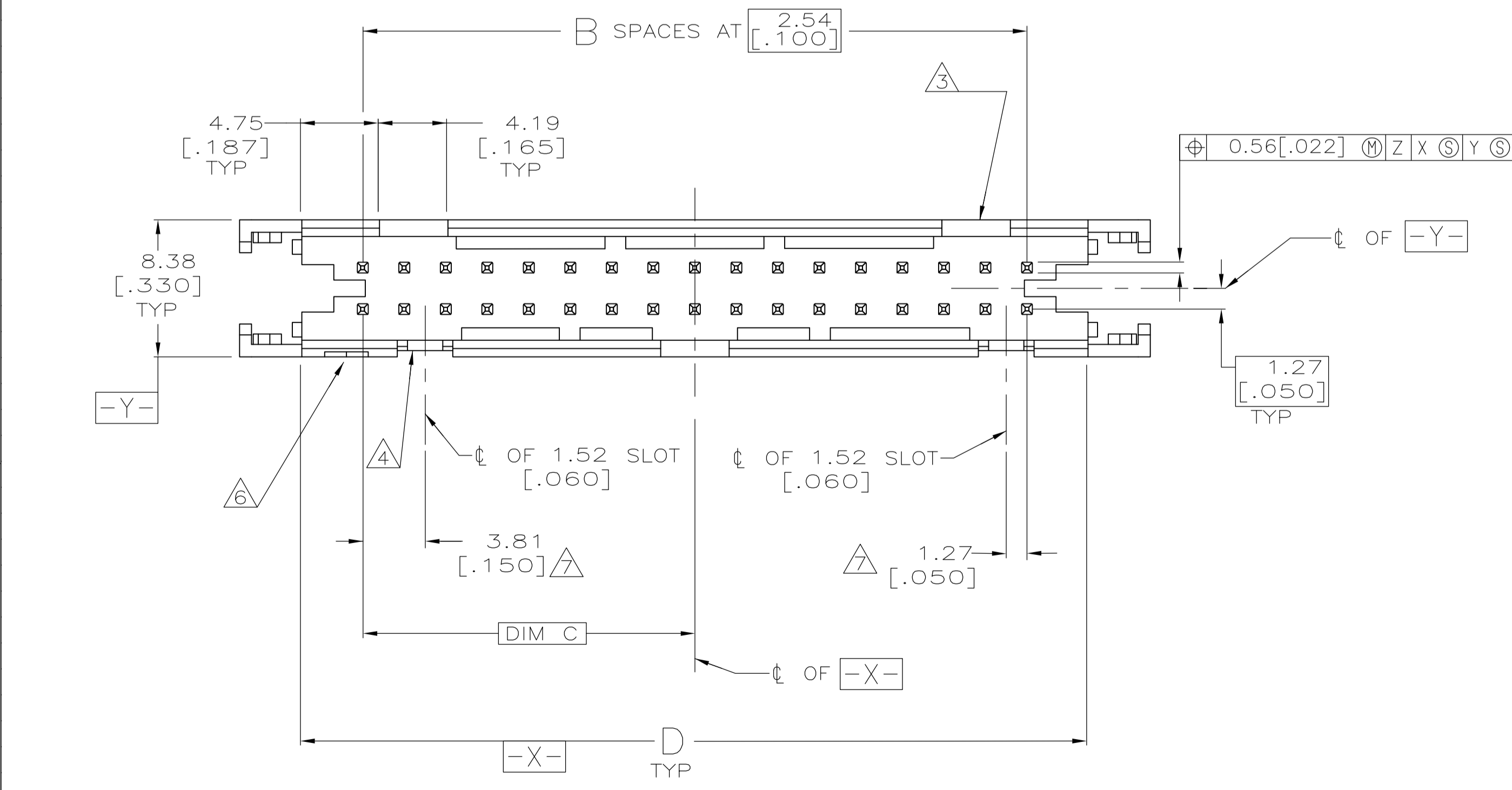
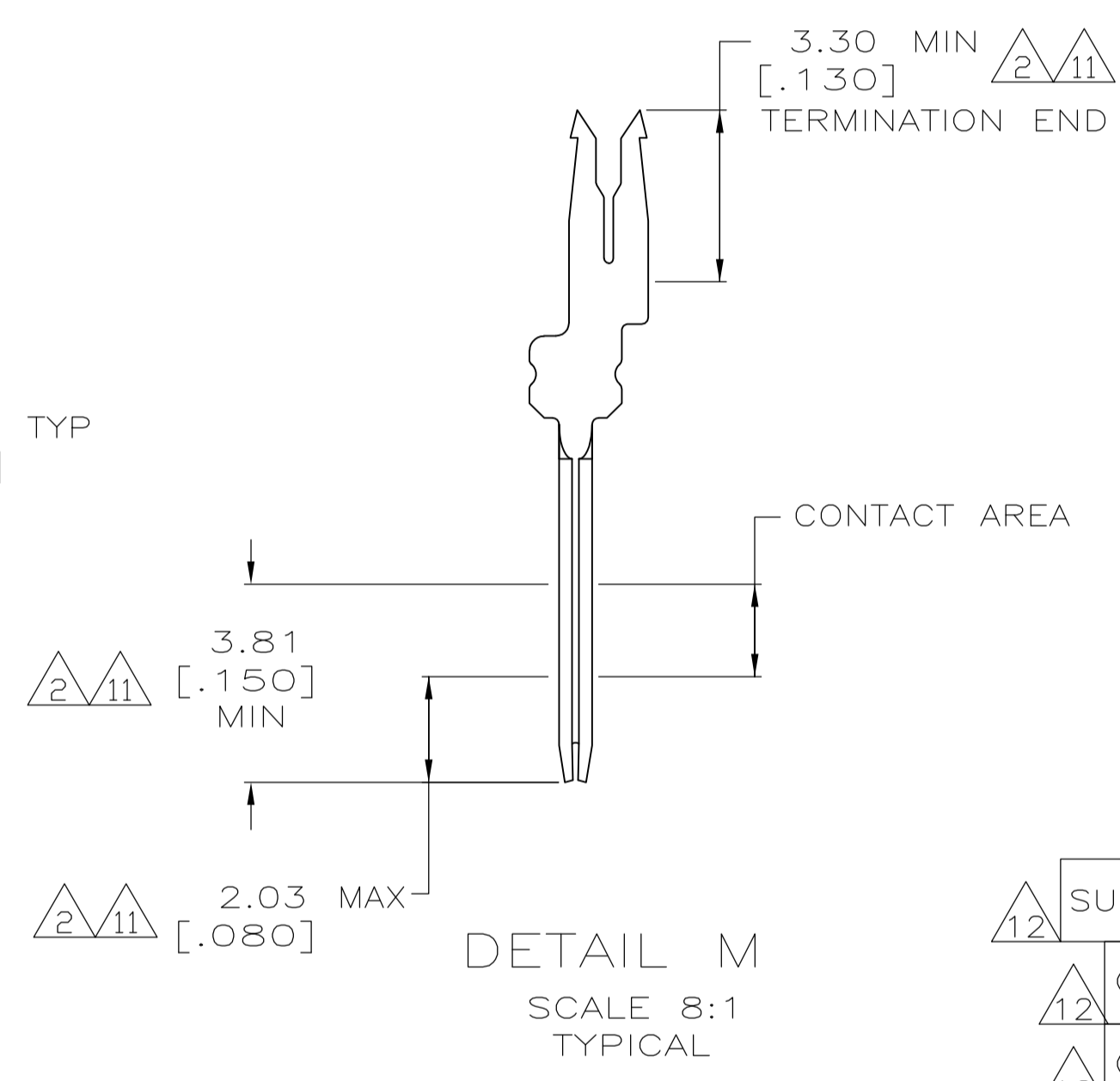
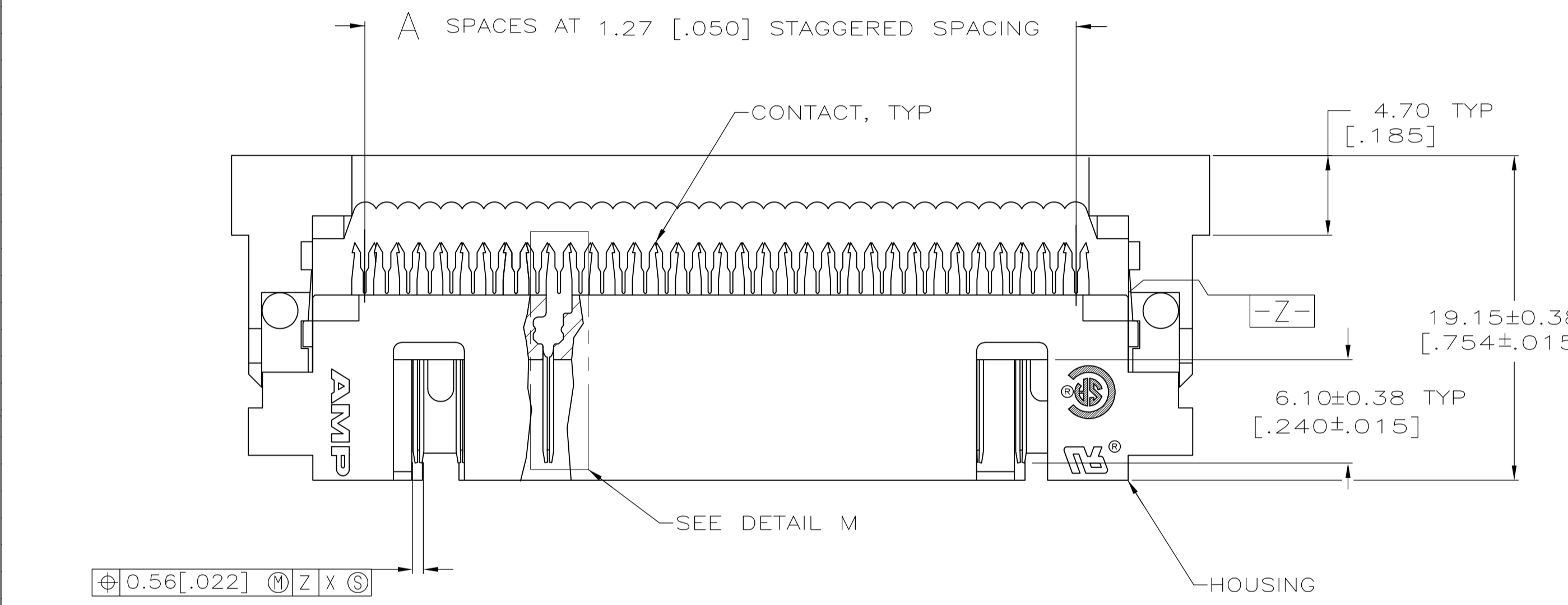


- 1 FLAME RETARDANT 94V-0 RATED THERMOPLASTIC; BLACK.
- 2 2.54µm [.000100] MIN MATTE TIN-LEAD ON TERMINATION END, 0.76µm [.000030] MIN GOLD ON CONTACT AREA, ALL OVER 1.27µm [.000050] MIN NICKEL.
-OR-
GOLD FLASH OVER PALLADIUM-NICKEL 0.76µm [.000030] TOTAL ON CONTACT AREA, 2.54µm [.000100] MIN BRIGHT TIN-LEAD ON TERMINATION END, ALL OVER 1.27µm [.000050] MIN NICKEL.
- 3 NO SLOT ON THIS END FOR TEN POSITION HOUSINGS.
- 4 NO SLOT FOR SNAP-IN POLARIZER ON THIS END FOR 10 AND 14 POSITION HOUSINGS.
- 5. FOR MILITARY POLARIZATION, ORDER SNAP-IN POLARIZER 499991-2 (BULK PACK OF 50).
- 6 POSITION NO 1 INDICATOR.
- 7 COORDINATE DIMENSION APPLIES FROM CENTER OF ACTUAL FEATURE.
- 8 FOR LATCHES ORDER 111451, 2 PER ASSEMBLY.
- 9 PHOSPHOR BRONZE PER QQ-B-750.

- 10 STRAIN RELIEF 111547 MUST BE ORDERED SEPARATELY.
- 11 2.54µm [.000100] MIN MATTE TIN ON TERMINATION END, 0.76µm [.000030] MIN GOLD ON CONTACT AREA, ALL OVER 1.27µm [.000050] MIN NICKEL.
-OR-
GOLD FLASH OVER PALLADIUM-NICKEL 0.76µm [.000030] TOTAL ON CONTACT AREA, 2.54µm [.000100] MIN MATTE TIN ON TERMINATION END, ALL OVER 1.27µm [.000050] MIN NICKEL.
- 12 OBSOLETE PARTS: OBSOLETE CIS STREAMLINING PER D. RENAUD/D. SINISI.



REV	DESCRIPTION	DATE	BY	APPV		
11	95.81 [3.772] 86.21 [3.394] 39.37 [1.550]	31	63	64	2-111446-6	
11	89.59 [3.527] 81.13 [3.194] 36.83 [1.450]	29	59	60	2-111446-5	
11	70.41 [2.772] 60.81 [2.394] 26.67 [1.050]	21	43	44	2-111446-4	
11	65.33 [2.572] 55.73 [2.194] 24.13 [0.950]	19	39	40	2-111446-3	
11	57.71 [2.272] 48.11 [1.894] 20.32 [0.800]	16	33	34	2-111446-2	
11	52.63 [2.072] 43.03 [1.694] 17.78 [0.700]	14	29	30	2-111446-1	
11	47.55 [1.872] 37.95 [1.494] 15.24 [0.600]	12	25	26	2-111446-0	
11	45.01 [1.772] 35.41 [1.394] 13.97 [0.550]	11	23	24	1-111446-9	
11	39.93 [1.572] 30.33 [1.194] 11.43 [0.450]	9	19	20	1-111446-8	
11	34.85 [1.372] 25.25 [0.994] 8.89 [0.350]	7	15	16	1-111446-6	
11	32.31 [1.272] 22.71 [0.894] 7.62 [0.300]	6	13	14	1-111446-5	
11	27.230 [1.072] 17.63 [0.694] 5.08 [0.200]	4	9	10	1-111446-4	
12	SUPERCEDED	95.81 [3.772] 86.21 [3.394] 39.37 [1.550]	31	63	64	1-111446-3
12	OBSOLETE	89.59 [3.527] 81.13 [3.194] 36.83 [1.450]	29	59	60	1-111446-2
12	OBSOLETE	78.03 [3.072] 68.43 [2.694] 30.48 [1.200]	24	49	50	1-111446-1
12	OBSOLETE	70.41 [2.772] 60.81 [2.394] 26.67 [1.050]	21	43	44	1-111446-0
12	OBSOLETE	65.33 [2.572] 55.73 [2.194] 24.13 [0.950]	19	39	40	111446-9
12	OBSOLETE	57.71 [2.272] 48.11 [1.894] 20.32 [0.800]	16	33	34	111446-8
12	SUPERCEDED	52.63 [2.072] 43.03 [1.694] 17.78 [0.700]	14	29	30	111446-7
12	OBSOLETE	47.55 [1.872] 37.95 [1.494] 15.24 [0.600]	12	25	26	111446-6
12	OBSOLETE	45.01 [1.772] 35.41 [1.394] 13.97 [0.550]	11	23	24	111446-5
12	OBSOLETE	39.93 [1.572] 30.33 [1.194] 11.43 [0.450]	9	19	20	111446-4
12	OBSOLETE	34.85 [1.372] 25.25 [0.994] 8.89 [0.350]	7	15	16	111446-3
12	OBSOLETE	32.31 [1.272] 22.71 [0.894] 7.62 [0.300]	6	13	14	111446-2
12	OBSOLETE	27.230 [1.072] 17.63 [0.694] 5.08 [0.200]	4	9	10	111446-1

CONTACT FINISH	E	D	C	B	A	NO OF POSN	PART NUMBER

THIS DRAWING IS A CONTROLLED DOCUMENT.		DIN H MOLL 7-11-90	 TE Connectivity
DIMENSIONS: mm [INCHES]		8-1-90	
TOLERANCES UNLESS OTHERWISE SPECIFIED:		F.M. HEINRY	NAME: D. HOFFMAN PRODUCT SPEC: 108-1336 APPLICATION SPEC: 114-7011
0 PLC ± -		8-3-90	
1 PLC ± ± 0.13[.005]			UNIV I/O PIN CONN, WITHOUT MOUNTING EARS, AMP-LATCH™
2 PLC ± ± ±			SIZE: A1
3 PLC ± ± ±			CAGE CODE: 00779
4 PLC ± ± ±			DRAWING NO: 111446
ANGLES ± ± ±			RESTRICTED TO: -
MATERIAL: 1 9			WEIGHT: -
FINISH: CONTACTS: SEE TABLE			SCALE: 4:1
			SHEET 1 OF 1
			REV: R

X-ON Electronics

Largest Supplier of Electrical and Electronic Components

Click to view similar products for [Headers & Wire Housings](#) category:

Click to view products by [TE Connectivity](#) manufacturer:

Other Similar products are found below :

[95000-104TRLF](#) [10135584-644402LF](#) [DF62W-EP2022PCA](#) [95000-106TRLF](#) [DF62W-2022SCA](#) [DF62W-EP2022PC](#) [2203348](#) [DF62W-2022SC](#) [1084018](#) [1029039](#) [1084017](#) [802-10-012-10-002000](#) [1112640](#) [1112639](#) [000-34000](#) [0009482033](#) [0009507031](#) [57102-S06-03LF](#) [57202-S52-04LF](#) [PCN6-15S-2.5E](#) [0039019024](#) [58102-G61-06LF](#) [582553-1](#) [0009508121](#) [0050291907](#) [018731A](#) [LY20-4P-DT1-P1E-BR](#) [02.125.8002.8](#) [60101931](#) [60598-1 \(Cut Strip\)](#) [M1625-3R/100](#) [61062-3](#) [61082-181009](#) [636-1427](#) [638009-1](#) [641938-9](#) [641991-4](#) [644168-1](#) [647662-1](#) [65039-019ELF](#) [65817-002LF](#) [65817-015LF](#) [65863-015LF](#) [66207-023LF](#) [67016-026LF](#) [67046-001LF](#) [67095-007LF](#) [68002-116](#) [68016-236H](#) [68648-049](#)