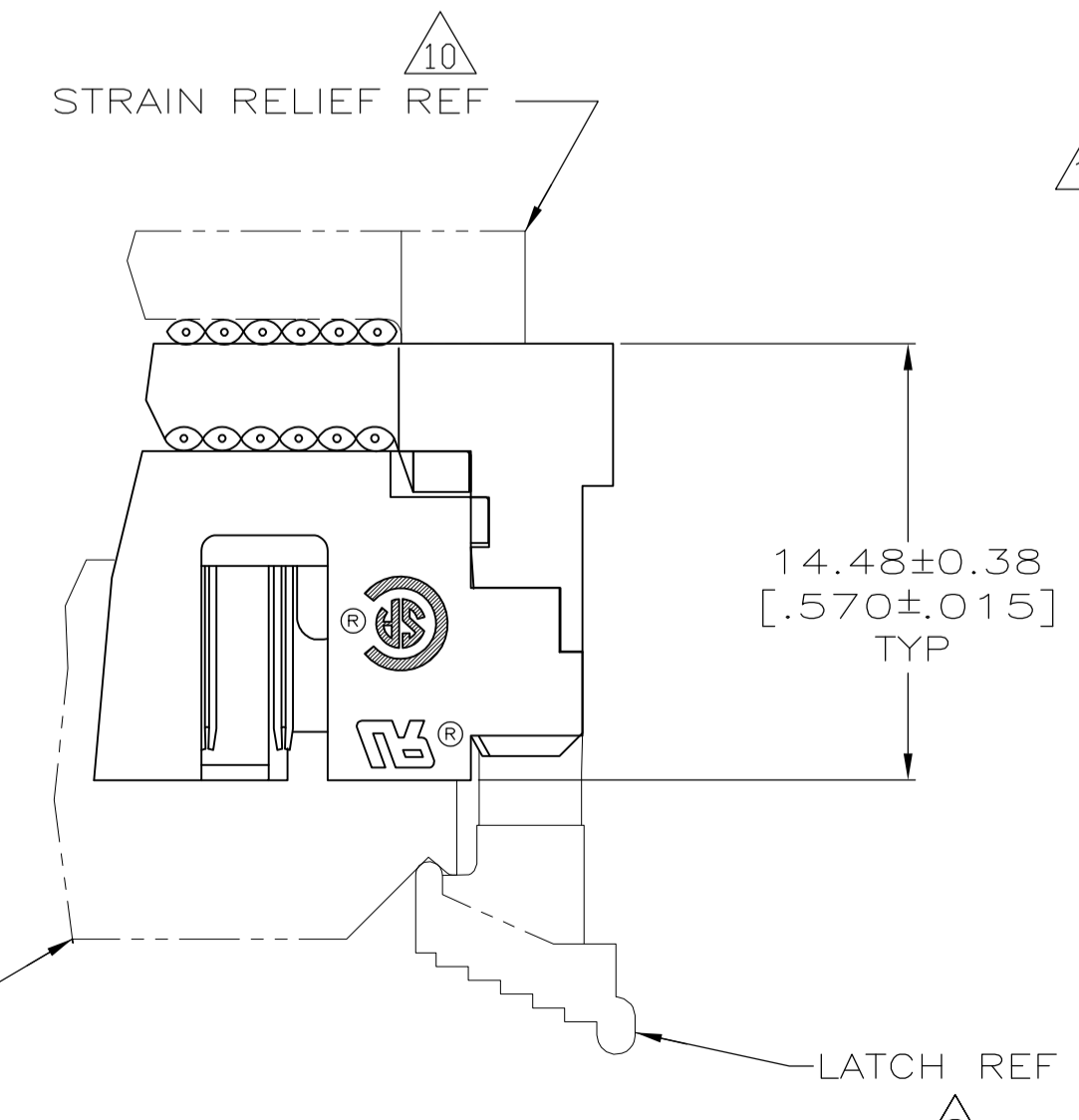
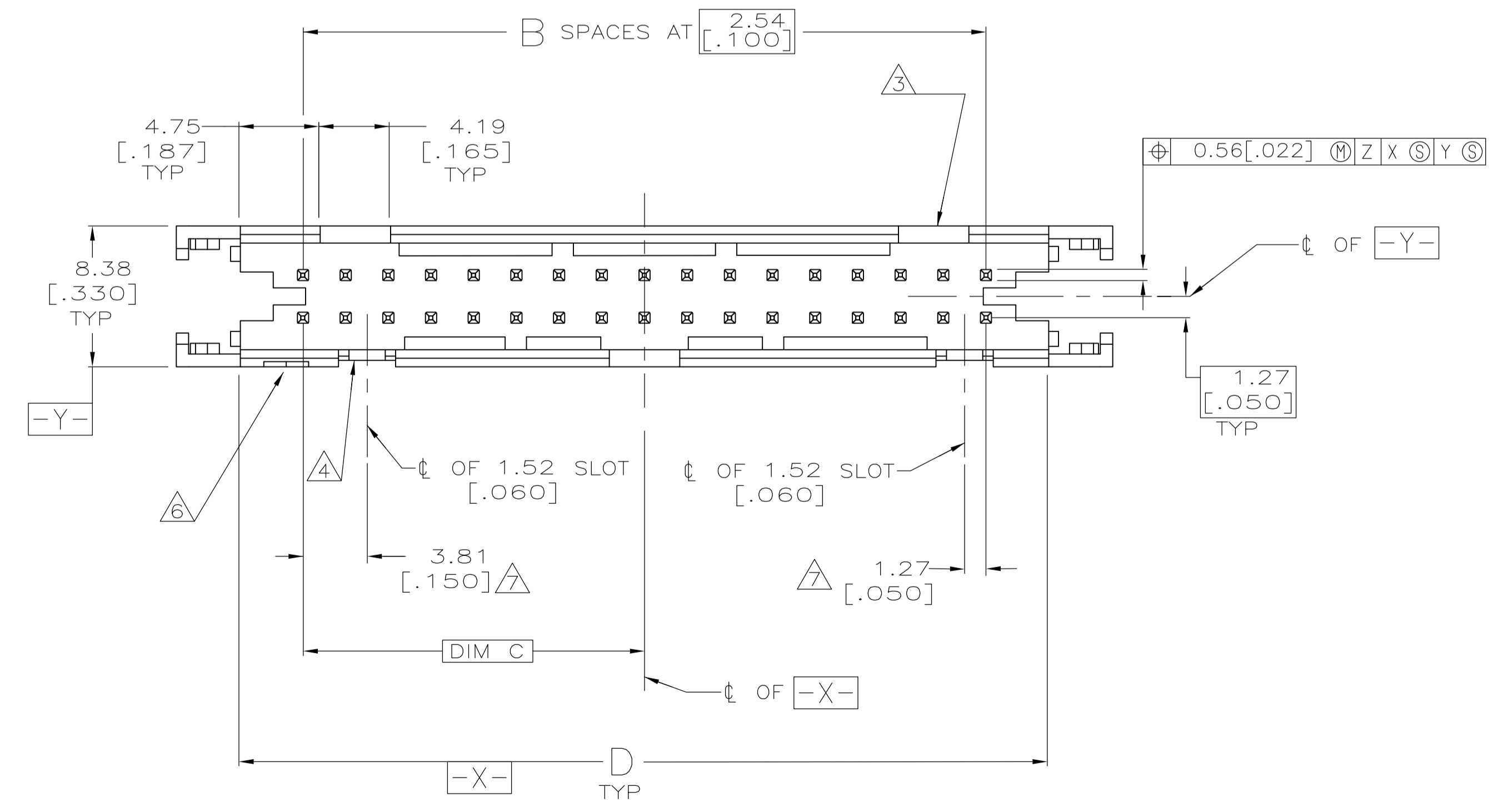
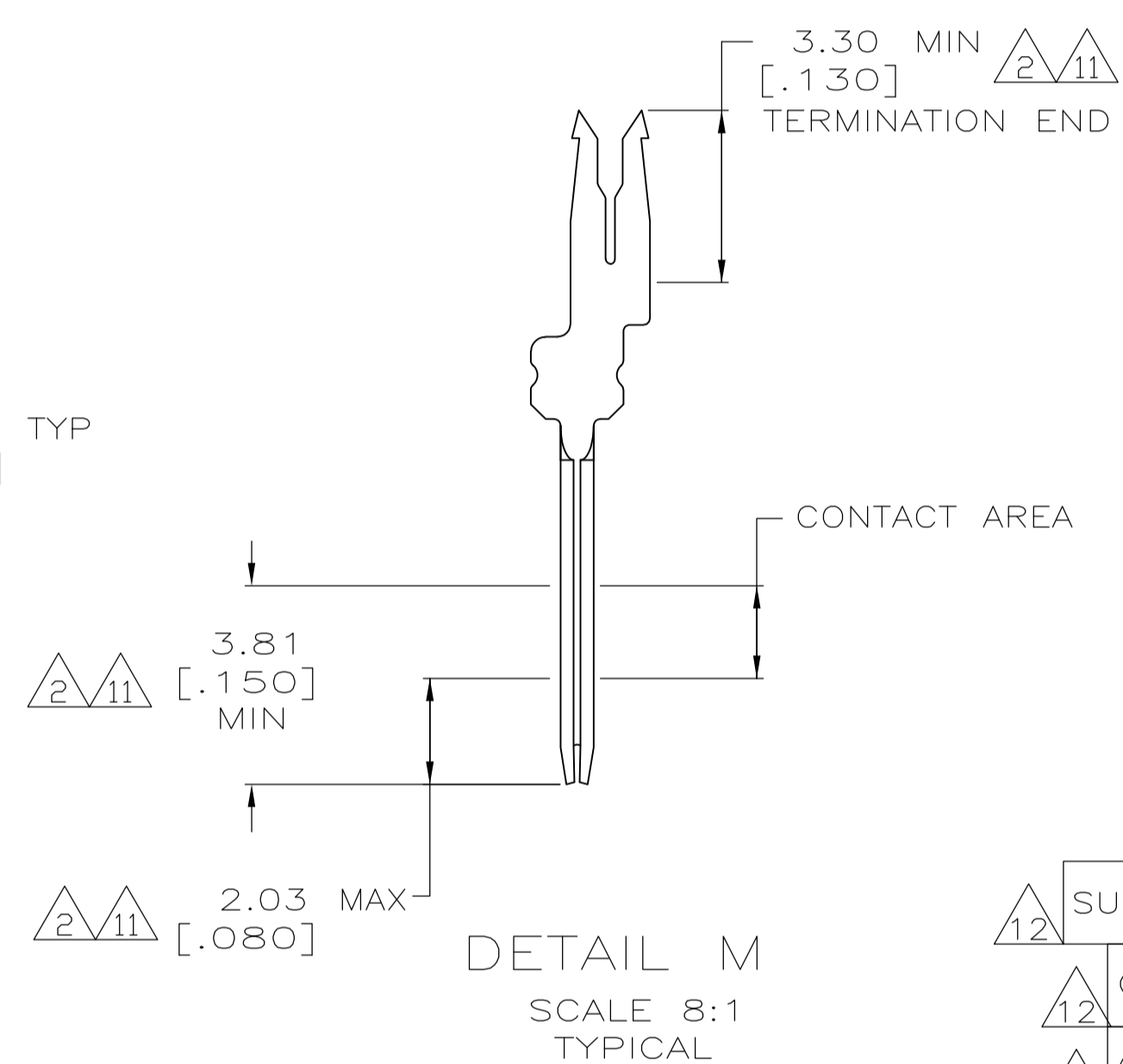
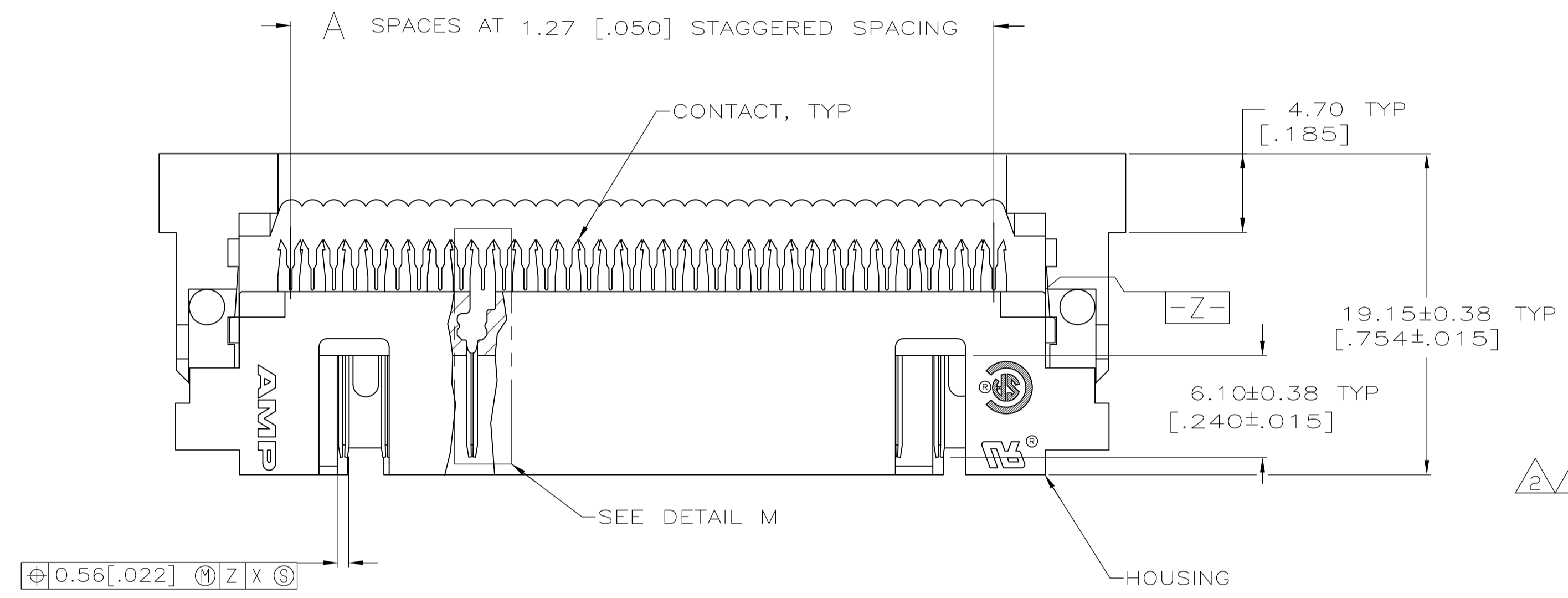
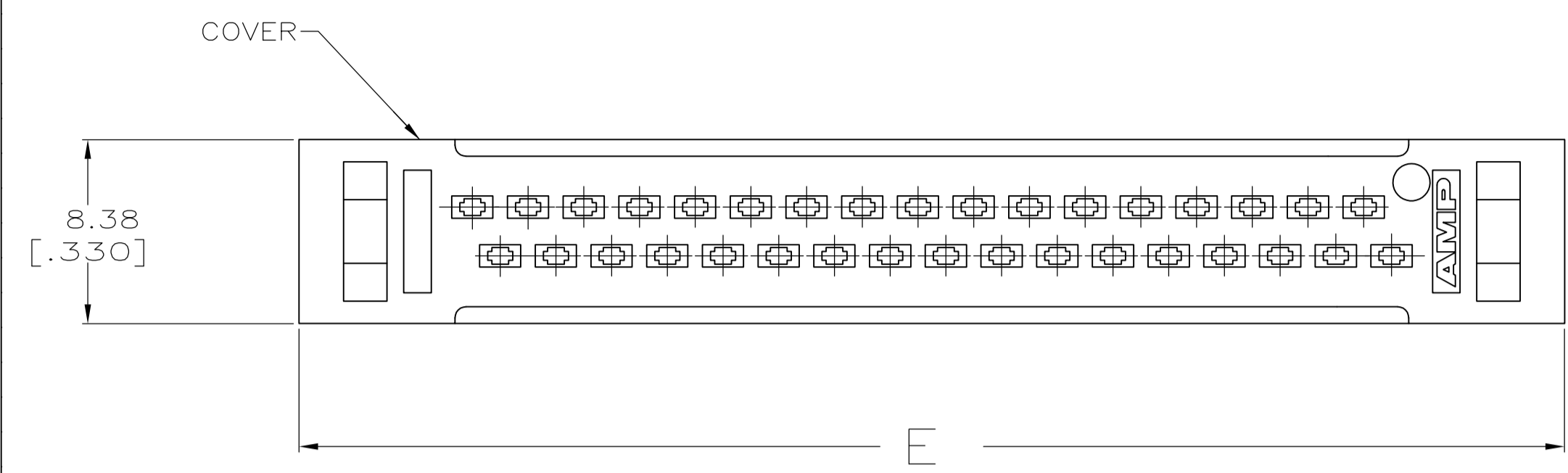


- 1 FLAME RETARDANT 94V-0 RATED THERMOPLASTIC; BLACK.
- 2 2.54µm [.000100] MIN MATTE TIN-LEAD ON TERMINATION END, 0.76µm [.000030] MIN GOLD ON CONTACT AREA, ALL OVER 1.27µm [.000050] MIN NICKEL.  
-OR-  
GOLD FLASH OVER PALLADIUM-NICKEL 0.76µm [.000030] TOTAL ON CONTACT AREA, 2.54µm [.000100] MIN BRIGHT TIN-LEAD ON TERMINATION END, ALL OVER 1.27µm [.000050] MIN NICKEL.
- 3 NO SLOT ON THIS END FOR TEN POSITION HOUSINGS.
- 4 NO SLOT FOR SNAP-IN POLARIZER ON THIS END FOR 10 AND 14 POSITION HOUSINGS.
- 5 FOR MILITARY POLARIZATION, ORDER SNAP-IN POLARIZER 499991-2 (BULK PACK OF 50).
- 6 POSITION NO 1 INDICATOR.
- 7 COORDINATE DIMENSION APPLIES FROM CENTER OF ACTUAL FEATURE.
- 8 FOR LATCHES ORDER 111451, 2 PER ASSEMBLY.
- 9 PHOSPHOR BRONZE PER QQ-B-750.

- 10 STRAIN RELIEF 111547 MUST BE ORDERED SEPARATELY.
- 11 2.54µm [.000100] MIN MATTE TIN ON TERMINATION END, 0.76µm [.000030] MIN GOLD ON CONTACT AREA, ALL OVER 1.27µm [.000050] MIN NICKEL.  
-OR-  
GOLD FLASH OVER PALLADIUM-NICKEL 0.76µm [.000030] TOTAL ON CONTACT AREA, 2.54µm [.000100] MIN MATTE TIN ON TERMINATION END, ALL OVER 1.27µm [.000050] MIN NICKEL.
- 12 OBSOLETE PARTS: OBSOLETE CIS STREAMLINING PER D. RENAUD/D. SINISI.



REV	DESCRIPTION	DATE	DMN	APVD		
11	95.81 [3.772] 86.21 [3.394] 39.37 [1.550]	31	63	64	2-111446-6	
11	89.59 [3.527] 81.13 [3.194] 36.83 [1.450]	29	59	60	2-111446-5	
11	70.41 [2.772] 60.81 [2.394] 26.67 [1.050]	21	43	44	2-111446-4	
11	65.33 [2.572] 55.73 [2.194] 24.13 [0.950]	19	39	40	2-111446-3	
11	57.71 [2.272] 48.11 [1.894] 20.32 [0.800]	16	33	34	2-111446-2	
11	52.63 [2.072] 43.03 [1.694] 17.78 [0.700]	14	29	30	2-111446-1	
11	47.55 [1.872] 37.95 [1.494] 15.24 [0.600]	12	25	26	2-111446-0	
11	45.01 [1.772] 35.41 [1.394] 13.97 [0.550]	11	23	24	1-111446-9	
11	39.93 [1.572] 30.33 [1.194] 11.43 [0.450]	9	19	20	1-111446-8	
11	78.03 [3.072] 68.43 [2.694] 30.48 [1.200]	24	49	50	1-111446-7	
11	34.85 [1.372] 25.25 [0.994] 8.89 [0.350]	7	15	16	1-111446-6	
11	32.31 [1.272] 22.71 [0.894] 7.62 [0.300]	6	13	14	1-111446-5	
11	27.230 [1.072] 17.63 [0.694] 5.08 [0.200]	4	9	10	1-111446-4	
12	SUPERCEDED	95.81 [3.772] 86.21 [3.394] 39.37 [1.550]	31	63	64	1-111446-3
12	OBSOLETE	89.59 [3.527] 81.13 [3.194] 36.83 [1.450]	29	59	60	1-111446-2
12	OBSOLETE	78.03 [3.072] 68.43 [2.694] 30.48 [1.200]	24	49	50	1-111446-1
12	OBSOLETE	70.41 [2.772] 60.81 [2.394] 26.67 [1.050]	21	43	44	1-111446-0
12	OBSOLETE	65.33 [2.572] 55.73 [2.194] 24.13 [0.950]	19	39	40	111446-9
12	OBSOLETE	57.71 [2.272] 48.11 [1.894] 20.32 [0.800]	16	33	34	111446-8
12	SUPERCEDED	52.63 [2.072] 43.03 [1.694] 17.78 [0.700]	14	29	30	111446-7
12	OBSOLETE	47.55 [1.872] 37.95 [1.494] 15.24 [0.600]	12	25	26	111446-6
12	OBSOLETE	45.01 [1.772] 35.41 [1.394] 13.97 [0.550]	11	23	24	111446-5
12	OBSOLETE	39.93 [1.572] 30.33 [1.194] 11.43 [0.450]	9	19	20	111446-4
12	OBSOLETE	34.85 [1.372] 25.25 [0.994] 8.89 [0.350]	7	15	16	111446-3
12	OBSOLETE	32.31 [1.272] 22.71 [0.894] 7.62 [0.300]	6	13	14	111446-2
12	OBSOLETE	27.230 [1.072] 17.63 [0.694] 5.08 [0.200]	4	9	10	111446-1

CONTACT FINISH	E	D	C	B	A	NO OF POSN	PART NUMBER

THIS DRAWING IS A CONTROLLED DOCUMENT.		DIN H MOLL 7-11-90	 TE Connectivity
DIMENSIONS: mm [INCHES]		8-1-90	
TOLERANCES UNLESS OTHERWISE SPECIFIED:		F.M. HEINRY	NAME: D. HOFFMAN PRODUCT SPEC: 108-1336 APPLICATION SPEC: 114-7011
0 PLC ± -		8-3-90	
1 PLC ± ± 0.13[.005]			UNIV I/O PIN CONN, WITHOUT MOUNTING EARS, AMP-LATCH™
2 PLC ± ± ± -			SIZE: A1
3 PLC ± ± ± -			CAGE CODE: 00779
4 PLC ± ± ± -			DRAWING NO: 111446
ANGLES ± ± -			RESTRICTED TO: -
MATERIAL: 1 9			WEIGHT: -
FINISH: CONTACTS: SEE TABLE			SCALE: 4:1
			SHEET 1 OF 1
			REV R

## X-ON Electronics

Largest Supplier of Electrical and Electronic Components

*Click to view similar products for [Headers & Wire Housings](#) category:*

*Click to view products by [TE Connectivity](#) manufacturer:*

Other Similar products are found below :

[892-18-020-10-001101](#) [58102-G61-06LF](#) [582553-1](#) [0009485154](#) [009176003701906](#) [0050291907](#) [LY20-4P-DT1-P1E-BR](#) [02.125.8002.8](#)  
[609-3404](#) [61062-3](#) [61082-181009](#) [622-3653LF](#) [63453-116](#) [636-1030](#) [636-1427](#) [636-3427](#) [636-4007](#) [641938-9](#) [641991-4](#) [644827-2](#) [65817-010LF](#) [65817-015LF](#) [65863-015LF](#) [66207-023LF](#) [67095-007LF](#) [67601157](#) [68645-018](#) [68648-049](#) [70.362.1628.0](#) [70-4210](#) [70-4226B](#) [70-4853B](#) [707-5020](#) [707-5028](#) [71.350.2428.0](#) [71918-208LF](#) [71961-016LF](#) [733-134](#) [733-162](#) [754199-000](#) [760-3052](#) [787-8014-00](#) [79531-3000](#)  
[FCN-360C032-B](#) [FCN-367T-T012/H](#) [FCN-723D010/2](#) [80.063.4001.1](#) [800-90-001-10-001000](#) [800-90-010-10-002000](#) [801-43-002-10-013000](#)