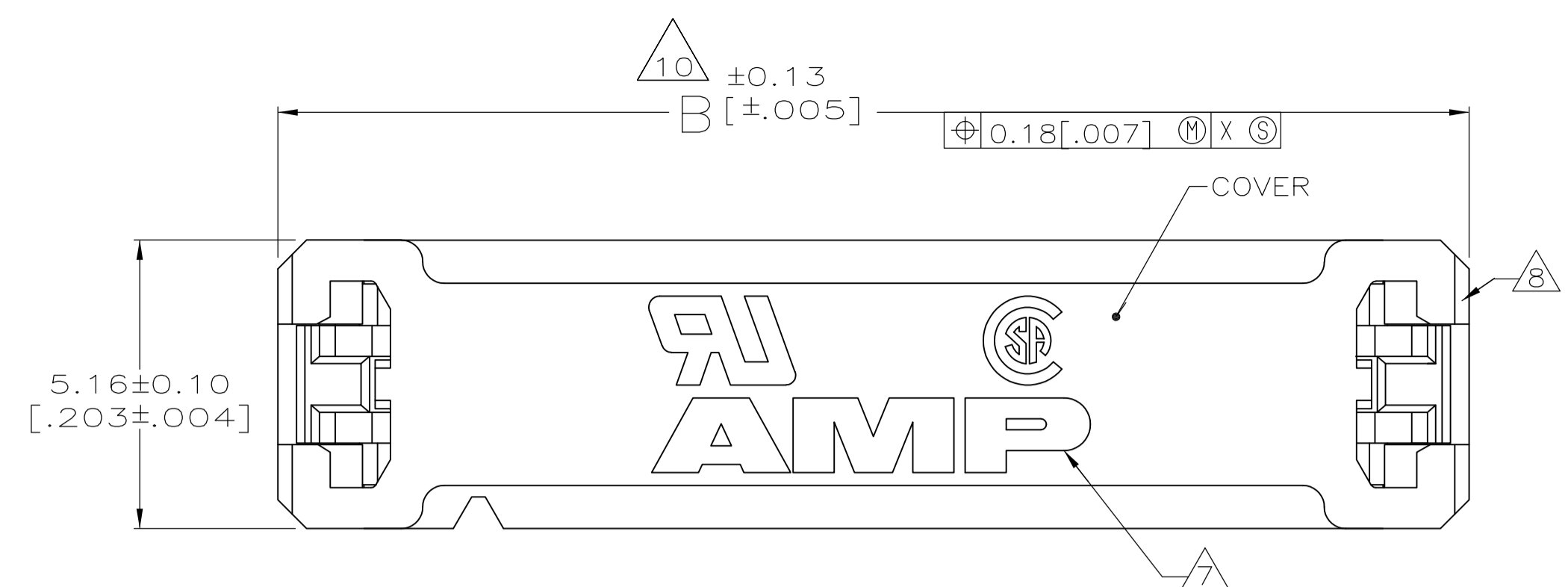
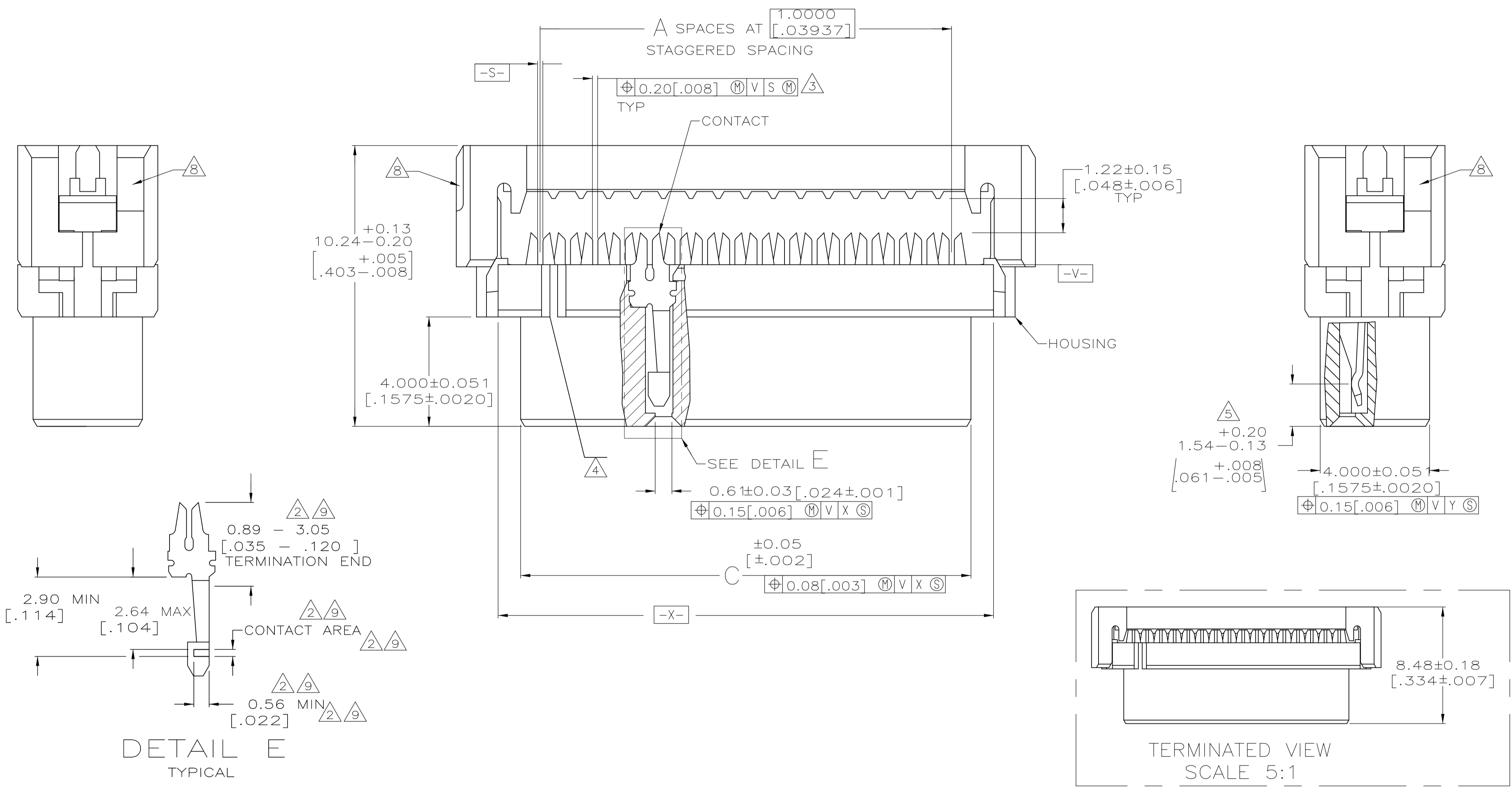


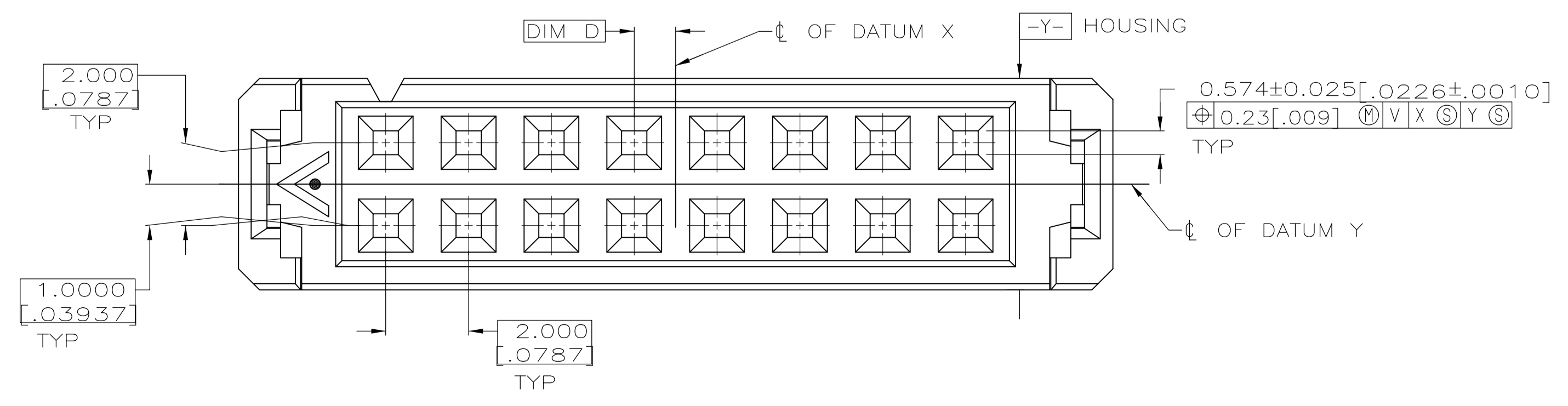
LOC		DIST		REVISIONS			
GP	00	P	LTR	DESCRIPTION	DATE	DMN	APVD
M2	REVISED PER	ECO-11-005033			23MAR11	RK	HMR



- 1 MOLDED PARTS: POLYESTER, UL RATED 94V-0, BLACK. CONTACTS: BERYLLIUM COPPER.
- 2 2.54 μm [.000100] MIN TIN-LEAD ON TERMINATION END, 0.76 μm [.000030] MIN GOLD ON CONTACT AREA, ALL OVER 1.27 μm [.000050] MIN NICKEL.
- 3 POSITION TOLERANCE APPLIES 0.76 [.030] ABOVE DATUM V.
- 4 POSITION NUMBER 1 INDICATOR.
- 5 ELECTRICAL ENGAGEMENT ZONE.
- 6. RECOMMENDED 28 AWG RIBBON CABLE, 0.61 - 0.97 [.024 - .038] THICK PVC, 1.0000 [.03937] PITCH.
- 7 AMP LOGO ORIENTATION IS OPTIONAL.
- 8 RECESS ON EACH END, OPPOSITE CORNER.
- 9 0.13 μm [.000005] MIN GOLD ON TERMINATION END, 0.76 μm [.000030] MIN GOLD ON CONTACT AREA, ALL OVER 1.27 μm [.000050] MIN NICKEL.
- 10 MOLD GATE PROJECTION ON EITHER END OF COVER TO BE EXCLUDED FROM DIMENSION 'B' MEASUREMENT.



REV	DESCRIPTION	DATE	DMN	APVD
25	26	2-111626-7		
23	24	2-111626-6		
15	16	2-111626-5		
7	8	2-111626-4		
49	50	2-111626-3		
43	44	2-111626-2		
39	40	2-111626-1		
33	34	2-111626-0		
19	20	1-111626-9		
13	14	1-111626-8		
9	10	1-111626-7		
OBSOLETE	7	8	1-111626-6	
OBSOLETE	21	22	1-111626-5	
OBSOLETE	67	68	1-111626-4	
OBSOLETE	63	64	1-111626-3	
OBSOLETE	59	60	1-111626-2	
OBSOLETE	49	50	1-111626-1	
OBSOLETE	43	44	1-111626-0	
OBSOLETE	39	40	111626-9	
OBSOLETE	33	34	111626-8	
OBSOLETE	29	30	111626-7	
OBSOLETE	25	26	111626-6	
OBSOLETE	23	24	111626-5	
OBSOLETE	19	20	111626-4	
OBSOLETE	15	16	111626-3	
OBSOLETE	13	14	111626-2	
OBSOLETE	9	10	111626-1	



THIS DRAWING IS A CONTROLLED DOCUMENT. DIMENSIONS: mm [INCHES]. TOLERANCES UNLESS OTHERWISE SPECIFIED: 0 PLC ± .005, 1 PLC ± .005, 2 PLC ± .005, 3 PLC ± .005, 4 PLC ± .005. MATERIAL: POLYESTER. FINISH: GOLD/NICKEL/TIN-LEAD. THIS DRAWING IS A CONTROLLED DOCUMENT. DIM: C. COBERMAN 02-24-92. CHK: J. McCLINTON 3-9-92. NAME: RECEPTACLE ASSY, 2mm CL, AMP-LATCH. SIZE: A1. CAGE CODE: 00779. DRAWING NO: 111626. WEIGHT: -. RESTRICTED TO: CUSTOMER DRAWING. SCALE: 10:1. SHEET: 1 of 1. REV: M2.

X-ON Electronics

Largest Supplier of Electrical and Electronic Components

Click to view similar products for [Headers & Wire Housings](#) category:

Click to view products by [TE Connectivity](#) manufacturer:

Other Similar products are found below :

[892-18-020-10-001101](#) [58102-G61-06LF](#) [582553-1](#) [0009485154](#) [009176003701906](#) [0050291907](#) [LY20-4P-DT1-P1E-BR](#) [02.125.8002.8](#)
[609-3404](#) [61062-3](#) [61082-181009](#) [622-3653LF](#) [63453-116](#) [636-1030](#) [636-1427](#) [636-3427](#) [636-4007](#) [641938-9](#) [641991-4](#) [644827-2](#) [65817-010LF](#) [65817-015LF](#) [65863-015LF](#) [66207-023LF](#) [67095-007LF](#) [67601157](#) [68645-018](#) [68648-049](#) [70.362.1628.0](#) [70-4210](#) [70-4226B](#) [70-4853B](#) [707-5020](#) [707-5028](#) [71.350.2428.0](#) [71918-208LF](#) [71961-016LF](#) [733-134](#) [733-162](#) [754199-000](#) [760-3052](#) [787-8014-00](#) [79531-3000](#)
[FCN-360C032-B](#) [FCN-367T-T012/H](#) [FCN-723D010/2](#) [80.063.4001.1](#) [800-90-001-10-001000](#) [800-90-010-10-002000](#) [801-43-002-10-013000](#)