

4

3

2

1

THIS DRAWING IS UNPUBLISHED.

RELEASED FOR PUBLICATION

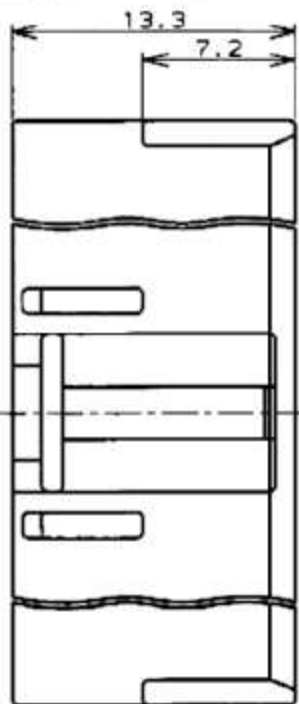
© COPYRIGHT

注記:

- 1. 適用コンタクト : 0-1123721-1
- 2. 嵌合相手製品型番 : □-1123723-□  
□-1123724-□

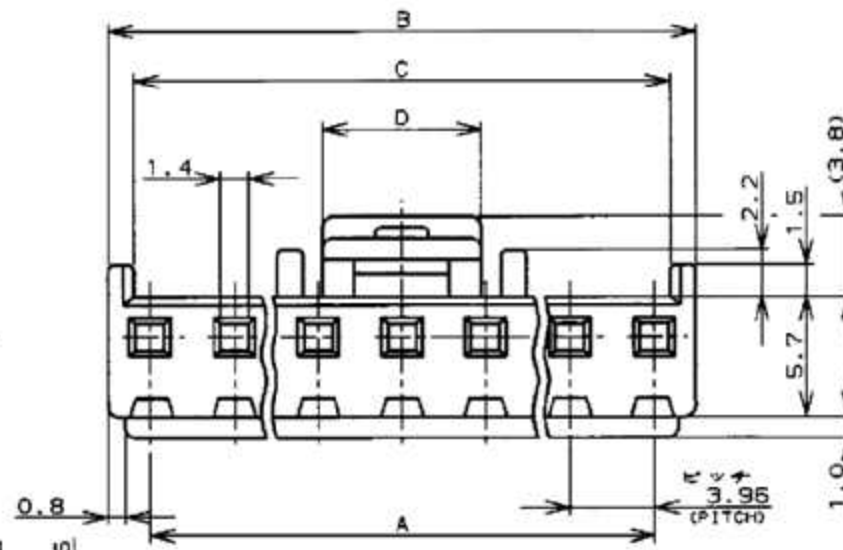
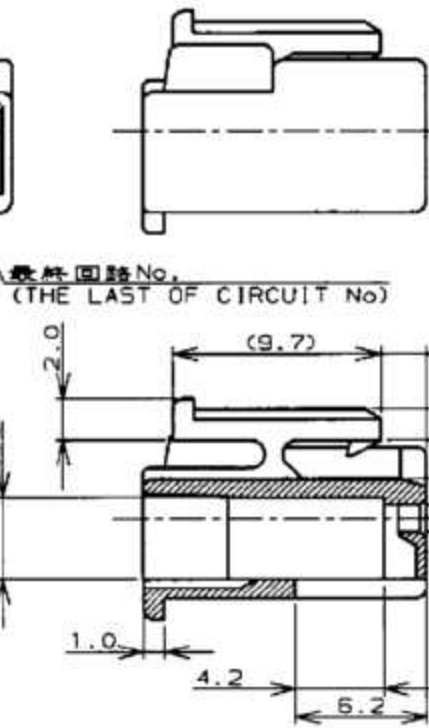
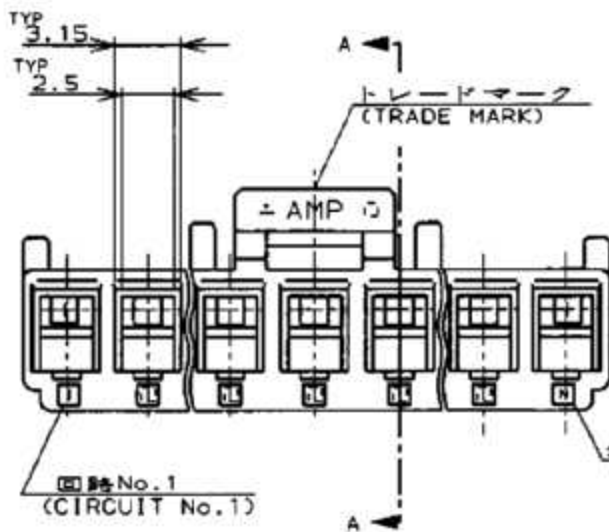
NOTES:

- 1. APPLICABLE CONTACT P/N : 0-1123721-1
- 2. MATING CONN P/N: □-1123723-□  
□-1123724-□
- 3. 7-1123722-□ MEET GWT(GLOW WIRE TEST)  
750 DEGREE SPEC



|                |       |       |       |                         |             |          |
|----------------|-------|-------|-------|-------------------------|-------------|----------|
|                | 41.10 | 43.50 | 39.60 | ■ 自然色 (NATURAL)         | 7-1123722-1 |          |
|                |       |       |       | ■ 緑 (GREEN)             | 6- - -1     |          |
|                |       |       |       | ■ 黒 (BLACK)             | 5- - -1     |          |
|                |       |       |       | ■ 赤 (RED)               | 4- - -1     |          |
|                |       |       |       | ■ 青 (BLUE)              | 3- - -1     |          |
|                |       |       |       | ■ 黄 (YELLOW)            | 2- - -1     |          |
|                |       |       |       | ■ 自然色 (NATURAL)         | 1- - -1     |          |
| 7.50           |       |       |       | ■ 自然色 (NATURAL)         | 7- - -0     |          |
|                |       |       |       | ■ 緑 (GREEN)             | 6- - -0     |          |
|                |       |       |       | ■ 黒 (BLACK)             | 5- - -0     |          |
|                |       |       |       | ■ 赤 (RED)               | 4- - -0     |          |
|                |       |       |       | ■ 青 (BLUE)              | 3- - -0     |          |
|                |       |       |       | ■ 黄 (YELLOW)            | 2- - -0     |          |
|                |       |       |       | ■ 自然色 (NATURAL)         | 1- - -0     |          |
|                | 33.18 | 35.58 | 31.68 | ■ 自然色 (NATURAL)         | 9 7- - -9   |          |
| D              | C     | B     | A     | ハウジング色調 (HOUSING COLOR) | 極数 (POS)    | 型番 (P/N) |
| 寸法 (DIMENSION) |       |       |       |                         |             |          |

|                |       |       |       |                         |             |          |
|----------------|-------|-------|-------|-------------------------|-------------|----------|
|                | 33.18 | 35.58 | 31.68 | ■ 緑 (GREEN)             | 6- - -9     |          |
|                |       |       |       | ■ 黒 (BLACK)             | 5- - -9     |          |
|                |       |       |       | ■ 赤 (RED)               | 4- - -9     |          |
|                |       |       |       | ■ 青 (BLUE)              | 3- - -9     |          |
|                |       |       |       | ■ 黄 (YELLOW)            | 2- - -9     |          |
|                |       |       |       | ■ 自然色 (NATURAL)         | 1- - -9     |          |
|                |       |       |       | ■ 自然色 (NATURAL)         | 7- - -8     |          |
|                |       |       |       | ■ 緑 (GREEN)             | 6- - -8     |          |
|                |       |       |       | ■ 黒 (BLACK)             | 5- - -8     |          |
|                |       |       |       | ■ 赤 (RED)               | 4- - -8     |          |
|                |       |       |       | ■ 青 (BLUE)              | 3- - -8     |          |
|                |       |       |       | ■ 黄 (YELLOW)            | 2- - -8     |          |
|                |       |       |       | ■ 自然色 (NATURAL)         | 1- - -8     |          |
| 29.22          | 31.62 | 27.72 |       | ■ 自然色 (NATURAL)         | 7- - -7     |          |
|                |       |       |       | ■ 緑 (GREEN)             | 6- - -7     |          |
|                |       |       |       | ■ 黒 (BLACK)             | 5- - -7     |          |
|                |       |       |       | ■ 赤 (RED)               | 4- - -7     |          |
|                |       |       |       | ■ 青 (BLUE)              | 3- - -7     |          |
|                |       |       |       | ■ 黄 (YELLOW)            | 2- - -7     |          |
|                |       |       |       | ■ 自然色 (NATURAL)         | 1- - -7     |          |
|                |       |       |       | ■ 自然色 (NATURAL)         | 7- - -6     |          |
|                |       |       |       | ■ 緑 (GREEN)             | 6- - -6     |          |
|                |       |       |       | ■ 黒 (BLACK)             | 5- - -6     |          |
|                |       |       |       | ■ 赤 (RED)               | 4- - -6     |          |
|                |       |       |       | ■ 青 (BLUE)              | 3- - -6     |          |
|                |       |       |       | ■ 黄 (YELLOW)            | 2- - -6     |          |
|                |       |       |       | ■ 自然色 (NATURAL)         | 1- - -6     |          |
|                |       |       |       | ■ 自然色 (NATURAL)         | 7- - -5     |          |
|                |       |       |       | ■ 緑 (GREEN)             | 6- - -5     |          |
|                |       |       |       | ■ 黒 (BLACK)             | 5- - -5     |          |
|                |       |       |       | ■ 赤 (RED)               | 4- - -5     |          |
|                |       |       |       | ■ 青 (BLUE)              | 3- - -5     |          |
|                |       |       |       | ■ 黄 (YELLOW)            | 2- - -5     |          |
|                |       |       |       | ■ 自然色 (NATURAL)         | 1- - -5     |          |
|                |       |       |       | ■ 自然色 (NATURAL)         | 7- - -4     |          |
|                |       |       |       | ■ 緑 (GREEN)             | 6- - -4     |          |
|                |       |       |       | ■ 黒 (BLACK)             | 5- - -4     |          |
|                |       |       |       | ■ 赤 (RED)               | 4- - -4     |          |
|                |       |       |       | ■ 青 (BLUE)              | 3- - -4     |          |
|                |       |       |       | ■ 黄 (YELLOW)            | 2- - -4     |          |
|                |       |       |       | ■ 自然色 (NATURAL)         | 1- - -4     |          |
|                |       |       |       | ■ 自然色 (NATURAL)         | 7- - -3     |          |
|                |       |       |       | ■ 緑 (GREEN)             | 6- - -3     |          |
|                |       |       |       | ■ 黒 (BLACK)             | 5- - -3     |          |
|                |       |       |       | ■ 赤 (RED)               | 4- - -3     |          |
|                |       |       |       | ■ 青 (BLUE)              | 3- - -3     |          |
|                |       |       |       | ■ 黄 (YELLOW)            | 2- - -3     |          |
|                |       |       |       | ■ 自然色 (NATURAL)         | 1- - -3     |          |
|                |       |       |       | ■ 自然色 (NATURAL)         | 7- - -2     |          |
|                |       |       |       | ■ 緑 (GREEN)             | 6- - -2     |          |
|                |       |       |       | ■ 黒 (BLACK)             | 5- - -2     |          |
|                |       |       |       | ■ 赤 (RED)               | 4- - -2     |          |
|                |       |       |       | ■ 青 (BLUE)              | 3- - -2     |          |
|                |       |       |       | ■ 黄 (YELLOW)            | 2- - -2     |          |
|                |       |       |       | ■ 自然色 (NATURAL)         | 1-1123722-2 |          |
|                | 3.60  | 5.46  | 7.86  | 3.96                    |             |          |
| D              | C     | B     | A     | ハウジング色調 (HOUSING COLOR) | 極数 (POS)    | 型番 (P/N) |
| 寸法 (DIMENSION) |       |       |       |                         |             |          |



| REV | DATE    | BY  | CHK | DESCRIPTION               |
|-----|---------|-----|-----|---------------------------|
| D1  | 14JUN12 | A.Z | F.M | REVISED PER ECR-12-010630 |
| D   | 11APR12 | L.L | F.M | REVISED PER ECR-12-006506 |
| C1  | 21MAR11 | RK  | HMR | REVISED PER ECO-11-005030 |

|   |  |   |  |  |  |  |  |
|---|--|---|--|--|--|--|--|
| DIMENSIONS:<br>単位: mm<br>mm                     |  | TOLERANCES UNLESS OTHERWISE SPECIFIED<br>一般公差<br>0.3<br>0.4 |  | DWN 24 JUN '98<br>N. YAMASAKI<br>CHK 24 JUN '98<br>M. SHINDO<br>APVD 24 JUN '98<br>M. SHINDO |  |  |  |
| MATERIAL<br>66ナイロン UL94V-0<br>(66NYLON UL94V-0) |  | FINISH<br>仕上  |  | PRODUCT SPEC<br>108-5609<br>APPLICATION SPEC<br>取付適用規格                                       |  | 3.96mm PITCH ECONOMY POWER (EP) CONN. PLUG HSG<br>3.96mm ピッチエコノミーパワー (EP) コネクタ<br>プラグハウジング |  |
| REVISIONS<br>変更                                 |  | WEIGHT<br>//  |  | CUSTOMER DRAWING   |  | SIZE: A3<br>CAGE CODE: 00779<br>DRAWING NO: 1123722<br>RESTRICTED TO:                      |  |
|   |  |   |  | SCALE: 1:1<br>SHEET 1 OF 1<br>REV D1   |  | 参考図面   |  |

## X-ON Electronics

Largest Supplier of Electrical and Electronic Components

*Click to view similar products for [Headers & Wire Housings](#) category:*

*Click to view products by [TE Connectivity](#) manufacturer:*

Other Similar products are found below :

[892-18-020-10-001101](#) [58102-G61-06LF](#) [582553-1](#) [0009485154](#) [009176003701906](#) [0050291907](#) [LY20-4P-DT1-P1E-BR](#) [02.125.8002.8](#)  
[609-3404](#) [61062-3](#) [61082-181009](#) [622-3653LF](#) [63453-116](#) [636-1030](#) [636-1427](#) [636-3427](#) [636-4007](#) [641938-9](#) [641991-4](#) [644827-2](#) [65817-010LF](#) [65817-015LF](#) [65863-015LF](#) [66207-023LF](#) [67095-007LF](#) [67601157](#) [68645-018](#) [68648-049](#) [70.362.1628.0](#) [70-4210](#) [70-4226B](#) [70-4853B](#) [707-5020](#) [707-5028](#) [71.350.2428.0](#) [71918-208LF](#) [71961-016LF](#) [733-134](#) [733-162](#) [754199-000](#) [760-3052](#) [787-8014-00](#) [79531-3000](#)  
[FCN-360C032-B](#) [FCN-367T-T012/H](#) [FCN-723D010/2](#) [80.063.4001.1](#) [800-90-001-10-001000](#) [800-90-010-10-002000](#) [801-43-002-10-013000](#)