

THIS DRAWING IS UNPUBLISHED. RELEASED FOR PUBLICATION  
 © COPYRIGHT - By - ALL RIGHTS RESERVED.

REVISIONS				
P	LTR	DESCRIPTION	DATE	APVD
AA4		REVISED PER ECR-18-005503	30MAY2018	BDA SG

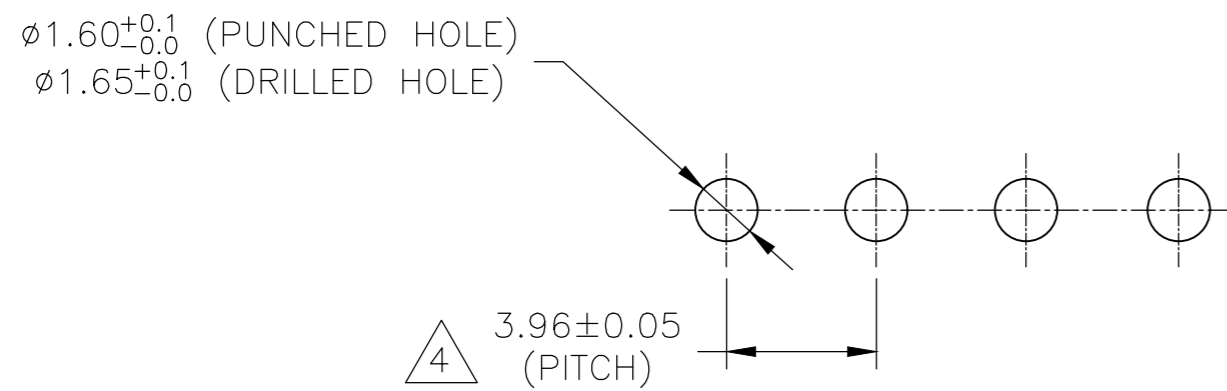
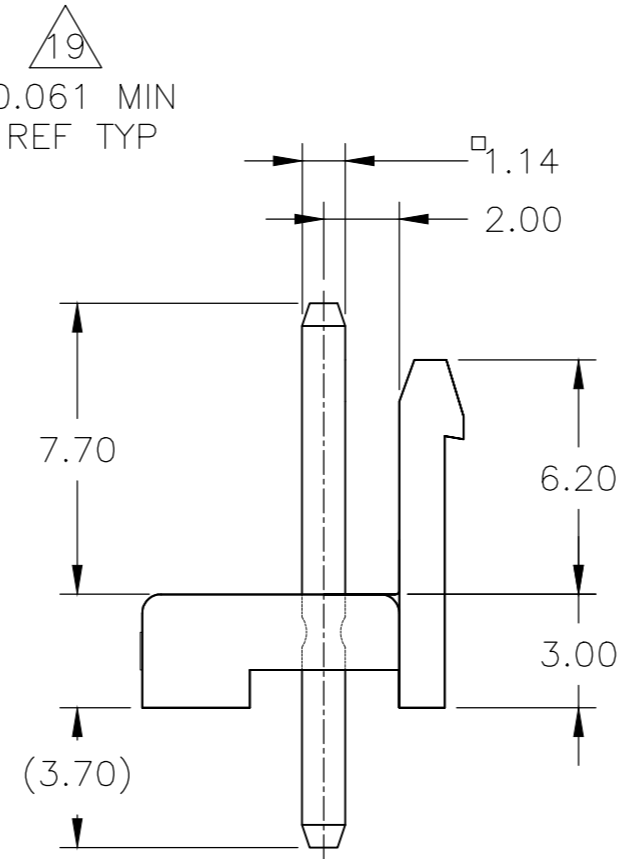
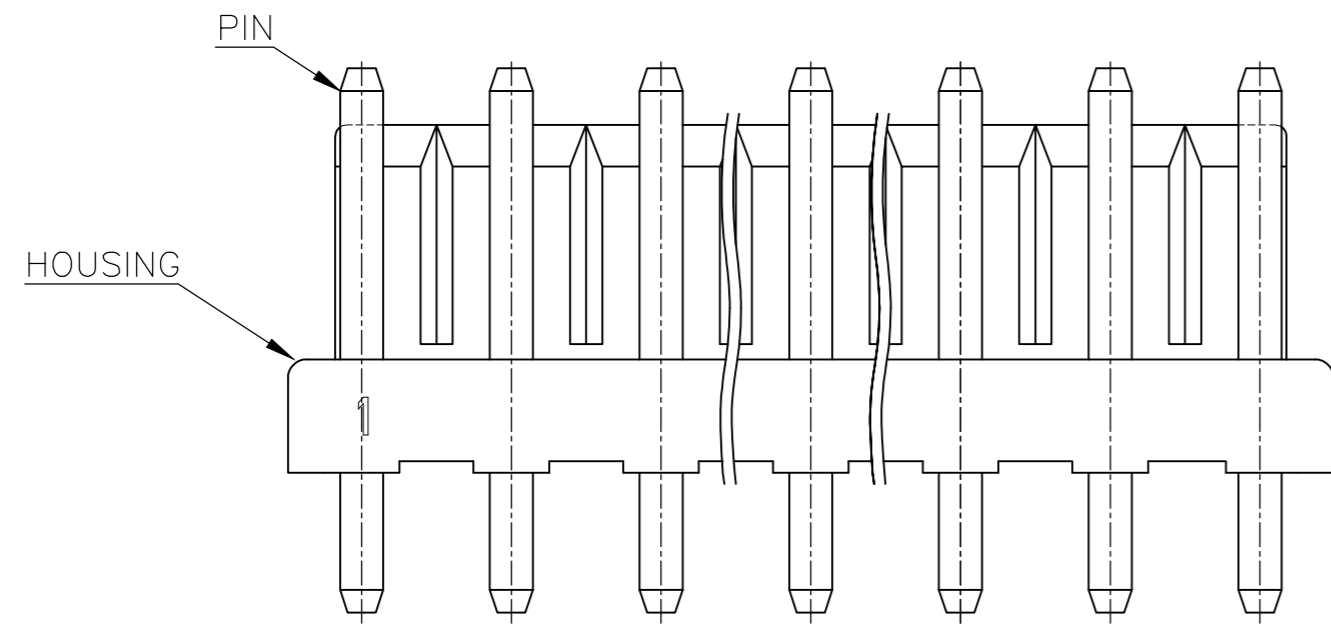
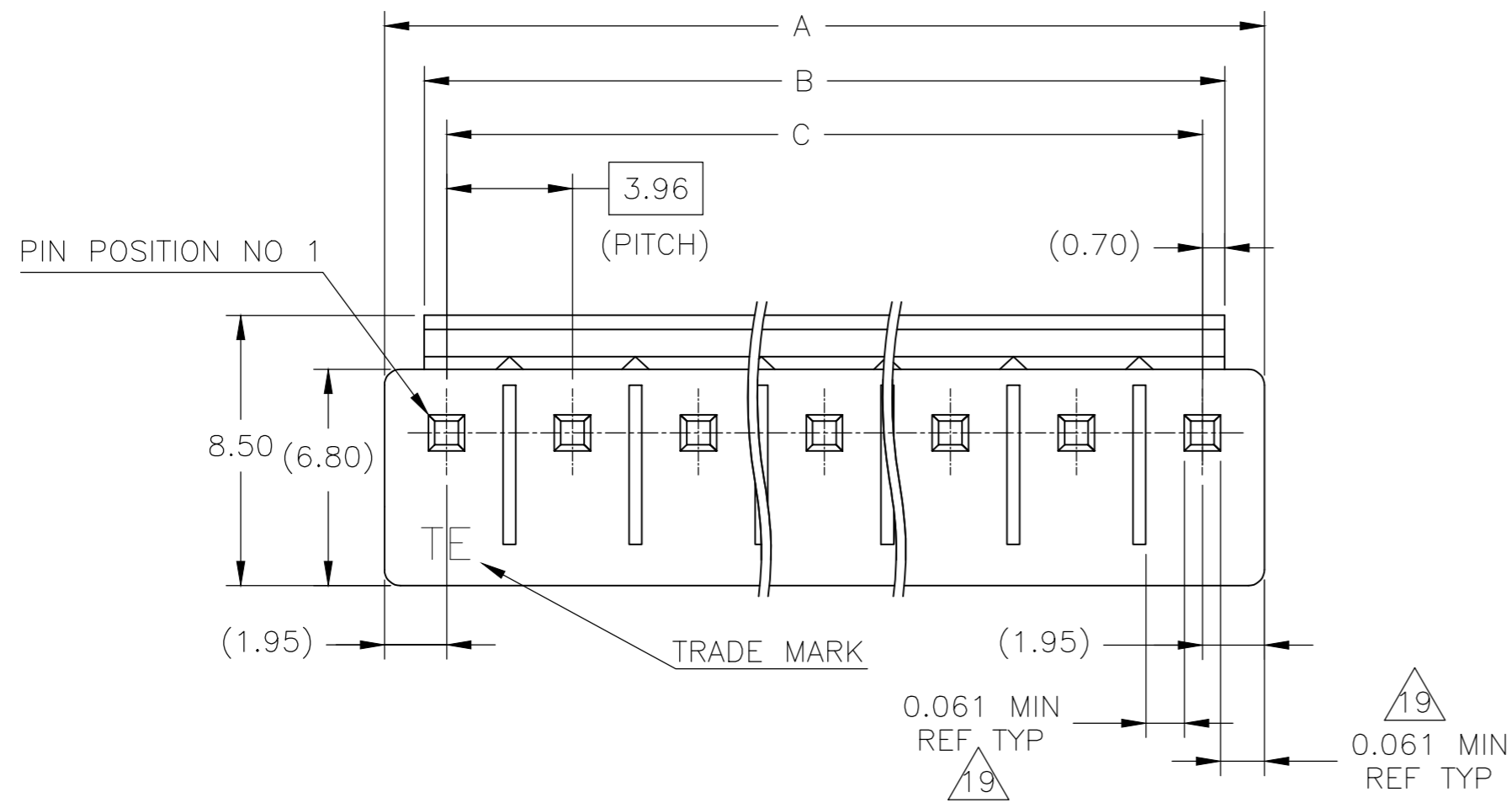


FIG.1

- 1 MATING CONN P/N: □-1123722-□
- 2 APPLICABLE P.C.B LAYOUT: SEE FIG. 1
- 3 APPLICABLE P.C.B THICKNESS: 1.60
- 4 SKETCHES SHOW NO PINS MISSING.
- 6 PIN: POST TIN OVER BRASS
- 7 HOUSING: PBT, 30% GLASS, UL94-V0.
- 8 ○ : WITH PIN, X : WITHOUT PIN.
- 10 SUPERSEDED BY 1744489-2.
- 11 SUPERSEDED BY 1744489-4.
- 12 SUPERSEDED BY 1744489-5.
- 13 SUPERSEDED BY 1744489-6.
- 14 SUPERSEDED BY 1744489-7.
- 15 SUPERSEDED BY 1744489-8.
- 16 SUPERSEDED BY 1744489-9.
- 17 SUPERSEDED BY 1-1744489-0.
- 18 SUPERSEDED BY 1-1744489-1.
- 19 VALUES FOR UL 61800-5-1

Flam	RTIe deg C	HWI	HAI	CTI
V0	130	PLC 2	PLC 4	PLC 2_UL746

THIS DRAWING IS A CONTROLLED DOCUMENT.		DWN N.YAMASAKI 13MAR'01	TE Connectivity	
DIMENSIONS: mm		CHK M.SHINDO 13MAR'01		
TOLERANCES UNLESS OTHERWISE SPECIFIED:		APVD Y.KASHIWA 13MAR'01	NAME 3.96MM PITCH ECONOMY POWER(EP) CONN HEADER ASSY	
0 PLC ±		PRODUCT SPEC 108-5609	SIZE A2	
1 PLC ± 0.50		APPLICATION SPEC	CAGE CODE 00779	
2 PLC ± 0.30		WEIGHT	DRAWING NO C=1123723	
3 PLC ±		FINISH	RESTRICTED TO	
4 PLC ±		SEE TABLE	SCALE 5:1 SHEET 1 OF 2 REV AA4	
ANGLES ±				
MATERIAL SEE TABLE		CUSTOMER DRAWING		

THIS DRAWING IS UNPUBLISHED. RELEASED FOR PUBLICATION  
 © COPYRIGHT - By - ALL RIGHTS RESERVED.

REVISIONS					
P	LTR	DESCRIPTION	DATE	DWN	APVD
-	-	SEE SHEET 1	-	-	-

PIN POSITION	"C"	"B"REF	"A"REF	COLOR	POS	ASS'Y P/N
1				NATURAL	11	8-1123723-1
2				GREEN		6-1123723-1
3				BLACK		5-1123723-1
4				RED		4-1123723-1
5				BLUE		3-1123723-1
6				YELLOW		2-1123723-1
7				NATURAL		1-1123723-1
8				NATURAL	10	7-1123723-0
9				GREEN		6-1123723-0
10				BLACK		5-1123723-0
11				RED		4-1123723-0
				BLUE		3-1123723-0
				YELLOW		2-1123723-0
				NATURAL		1-1123723-0
				NATURAL	9	7-1123723-9
				GREEN		6-1123723-9
				BLACK		5-1123723-9
				RED		4-1123723-9
				BLUE		3-1123723-9
				YELLOW		2-1123723-9
				NATURAL		1-1123723-9

PIN POSITION	"C"	"B"REF	"A"REF	COLOR	POS	ASS'Y P/N
1				NATURAL	8	7-1123723-8
2				GREEN		6-1123723-8
3				BLACK		5-1123723-8
4				RED		4-1123723-8
5				BLUE		3-1123723-8
6				YELLOW		2-1123723-8
7				NATURAL		1-1123723-8
8				NATURAL	7	7-1123723-7
9				GREEN		6-1123723-7
10				BLACK		5-1123723-7
11				RED		4-1123723-7
				BLUE		3-1123723-7
				YELLOW		2-1123723-7
				NATURAL		1-1123723-7
				NATURAL	6	7-1123723-6
				GREEN		6-1123723-6
				BLACK		5-1123723-6
				RED		4-1123723-6
				BLUE		3-1123723-6
				YELLOW		2-1123723-6
				NATURAL		1-1123723-6
				NATURAL	5	7-1123723-5
				GREEN		6-1123723-5
				BLACK		5-1123723-5
				RED		4-1123723-5
				BLUE		3-1123723-5
				YELLOW		2-1123723-5
				NATURAL		1-1123723-5
				NATURAL	4	7-1123723-4
				GREEN		6-1123723-4
				BLACK		5-1123723-4
				RED		4-1123723-4
				BLUE		3-1123723-4
				YELLOW		2-1123723-4
				NATURAL		1-1123723-4
				NATURAL	3	7-1123723-3
				GREEN		6-1123723-3
				BLACK		5-1123723-3
				RED		4-1123723-3
				BLUE		3-1123723-3
				YELLOW		2-1123723-3
				NATURAL		1-1123723-3
				NATURAL	2	7-1123723-2
				GREEN		6-1123723-2
				BLACK		5-1123723-2
				RED		4-1123723-2
				BLUE		3-1123723-2
				YELLOW		2-1123723-2
				NATURAL		1-1123723-2

THIS DRAWING IS A CONTROLLED DOCUMENT.

DWN: N.YAMASAKI 13MAR'01  
 CHK: M.SHINDO 13MAR'01  
 APVD: Y.KASHIWA 13MAR'01

TE Connectivity  
 3.96MM PITCH ECONOMY POWER(EP) CONN  
 HEADER ASSY

108-5609  
 APPLICATION SPEC

SIZE: A2 CAGE CODE: 00779 DRAWING NO: C=1123723 RESTRICTED TO: -  
 SCALE: 5:1 SHEET: 2 OF 2 REV: AA4

MATERIAL: SEE TABLE FINISH: SEE TABLE WEIGHT: CUSTOMER DRAWING

## X-ON Electronics

Largest Supplier of Electrical and Electronic Components

*Click to view similar products for [Headers & Wire Housings](#) category:*

*Click to view products by [TE Connectivity](#) manufacturer:*

Other Similar products are found below :

[892-18-020-10-001101](#) [58102-G61-06LF](#) [582553-1](#) [0009485154](#) [009176003701906](#) [0050291907](#) [LY20-4P-DT1-P1E-BR](#) [02.125.8002.8](#)  
[609-3404](#) [61062-3](#) [61082-181009](#) [622-3653LF](#) [63453-116](#) [636-1030](#) [636-1427](#) [636-3427](#) [636-4007](#) [641938-9](#) [641991-4](#) [644827-2](#) [65817-](#)  
[010LF](#) [65817-015LF](#) [65863-015LF](#) [66207-023LF](#) [67095-007LF](#) [67601157](#) [68645-018](#) [68648-049](#) [70.362.1628.0](#) [70-4210](#) [70-4226B](#) [70-](#)  
[4853B](#) [707-5020](#) [707-5028](#) [71.350.2428.0](#) [71918-208LF](#) [71961-016LF](#) [733-134](#) [733-162](#) [754199-000](#) [760-3052](#) [787-8014-00](#) [79531-3000](#)  
[FCN-360C032-B](#) [FCN-367T-T012/H](#) [FCN-723D010/2](#) [80.063.4001.1](#) [800-90-001-10-001000](#) [800-90-010-10-002000](#) [801-43-002-10-013000](#)