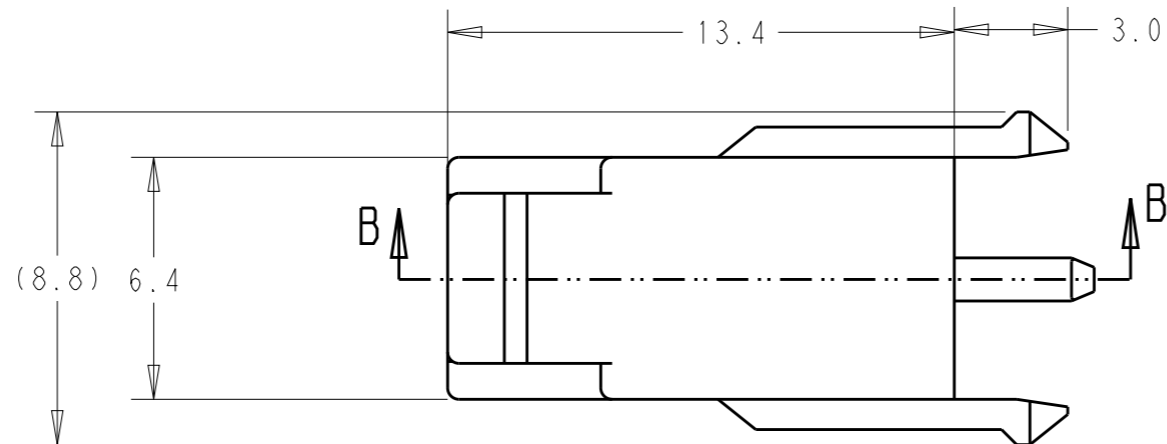
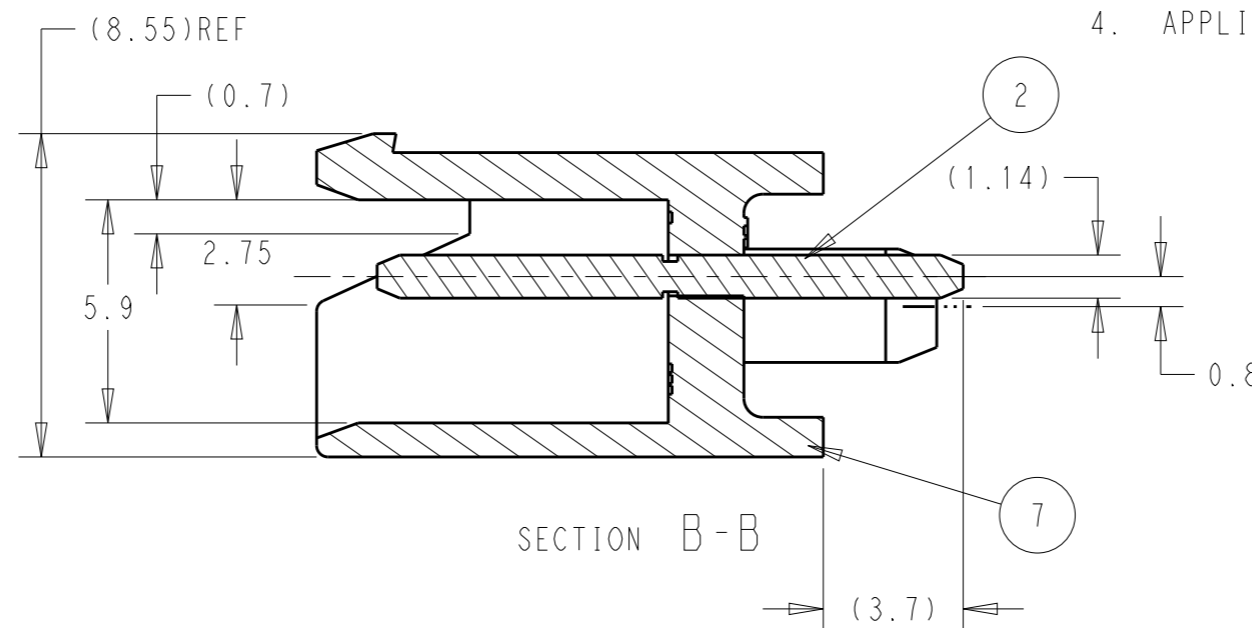
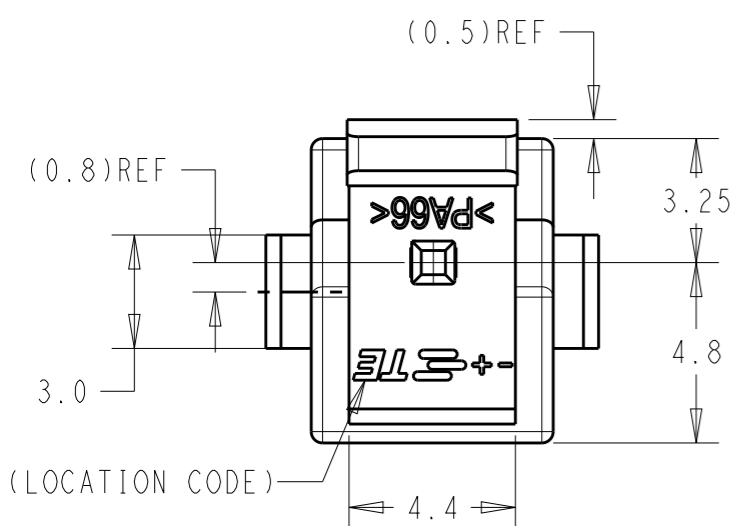


P	LTR	DESCRIPTION	DATE	DWN	APVD
	D1	REVISED PER ECR-20-100500	13OCT20	S.K	D.Z



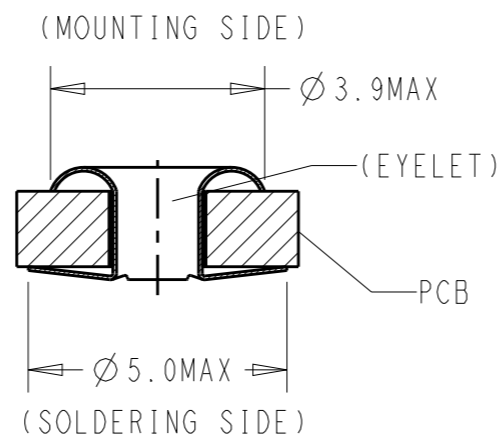
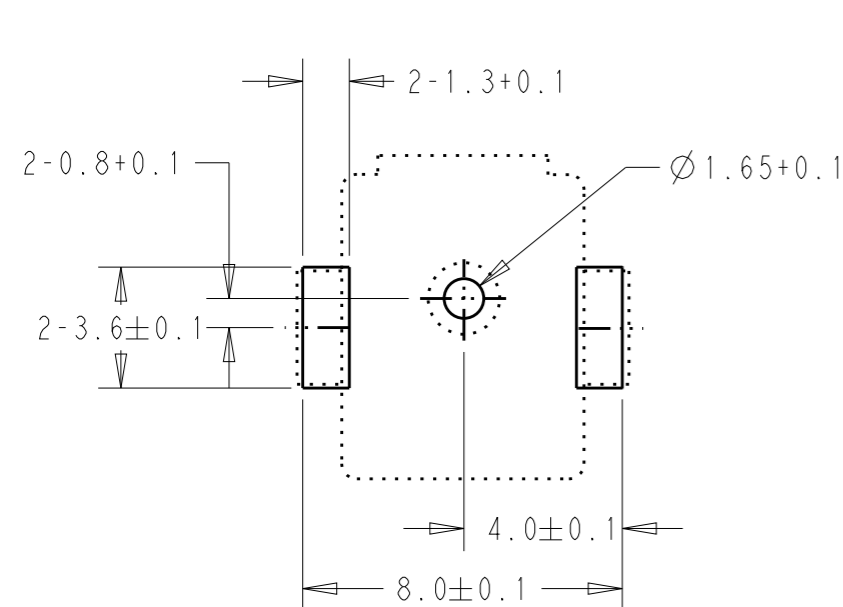
NOTES:

- MATING CONN P/N X-1123823-X
- APPLICABLE P.C.B LAYOUT : SEE FIG.1
DIMENSION OF HOLE DIA FOR POST MOUNTING FIG1 INDICATES WITHOUT EYELET.
- APPLICABLE EYELET : SEE FIG.2
- APPLICABLE P.C.B THICKNESS : 1.6±



(TABLE 1)

NO	NAME	MATERIAL
7	HEADER HOUSING	66NYLON UL94V-0
2	POST CONTACT	BRASS - TIN PL



3 FIG.2

BLACK	5-1123824-1
RED	4-1123824-1
BLUE	3-1123824-1
YELLOW	2-1123824-1
NATURAL	1-1123824-1
COLOR	PART NUMBER

THIS DRAWING IS A CONTROLLED DOCUMENT.		DWN K. KOMACHI 07APR03		TE Connectivity NAME ECONOMY POWER(EP) CONN. HEADER ASSY 1POS -	
DIMENSIONS: mm		CHK M. SHINDO 07APR03			
TOLERANCES UNLESS OTHERWISE SPECIFIED:		APVD M. SHINDO 07APR03			
0 PLC ±- 1 PLC ±0.1 2 PLC ±0.01 3 PLC ±0.001 4 PLC ±0.0001 ANGLES ±-		PRODUCT SPEC 108-5609			
MATERIAL -		FINISH -		APPLICATION SPEC -	
SEE TABLE 1		CUSTOMER DRAWING		WEIGHT -	
		SCALE 5:1		SHEET 1 OF 1	
		REV D1		RESTRICTED TO -	

2 FIG.1

X-ON Electronics

Largest Supplier of Electrical and Electronic Components

Click to view similar products for [Headers & Wire Housings](#) category:

Click to view products by [TE Connectivity](#) manufacturer:

Other Similar products are found below :

[892-18-020-10-001101](#) [58102-G61-06LF](#) [582553-1](#) [0009485154](#) [009176003701906](#) [0050291907](#) [LY20-4P-DT1-P1E-BR](#) [02.125.8002.8](#)
[609-3404](#) [61062-3](#) [61082-181009](#) [622-3653LF](#) [63453-116](#) [636-1030](#) [636-1427](#) [636-3427](#) [636-4007](#) [641938-9](#) [641991-4](#) [644827-2](#) [65817-010LF](#) [65817-015LF](#) [65863-015LF](#) [66207-023LF](#) [67095-007LF](#) [67601157](#) [68645-018](#) [68648-049](#) [70.362.1628.0](#) [70-4210](#) [70-4226B](#) [70-4853B](#) [707-5020](#) [707-5028](#) [71.350.2428.0](#) [71918-208LF](#) [71961-016LF](#) [733-134](#) [733-162](#) [754199-000](#) [760-3052](#) [787-8014-00](#) [79531-3000](#)
[FCN-360C032-B](#) [FCN-367T-T012/H](#) [FCN-723D010/2](#) [80.063.4001.1](#) [800-90-001-10-001000](#) [800-90-010-10-002000](#) [801-43-002-10-013000](#)