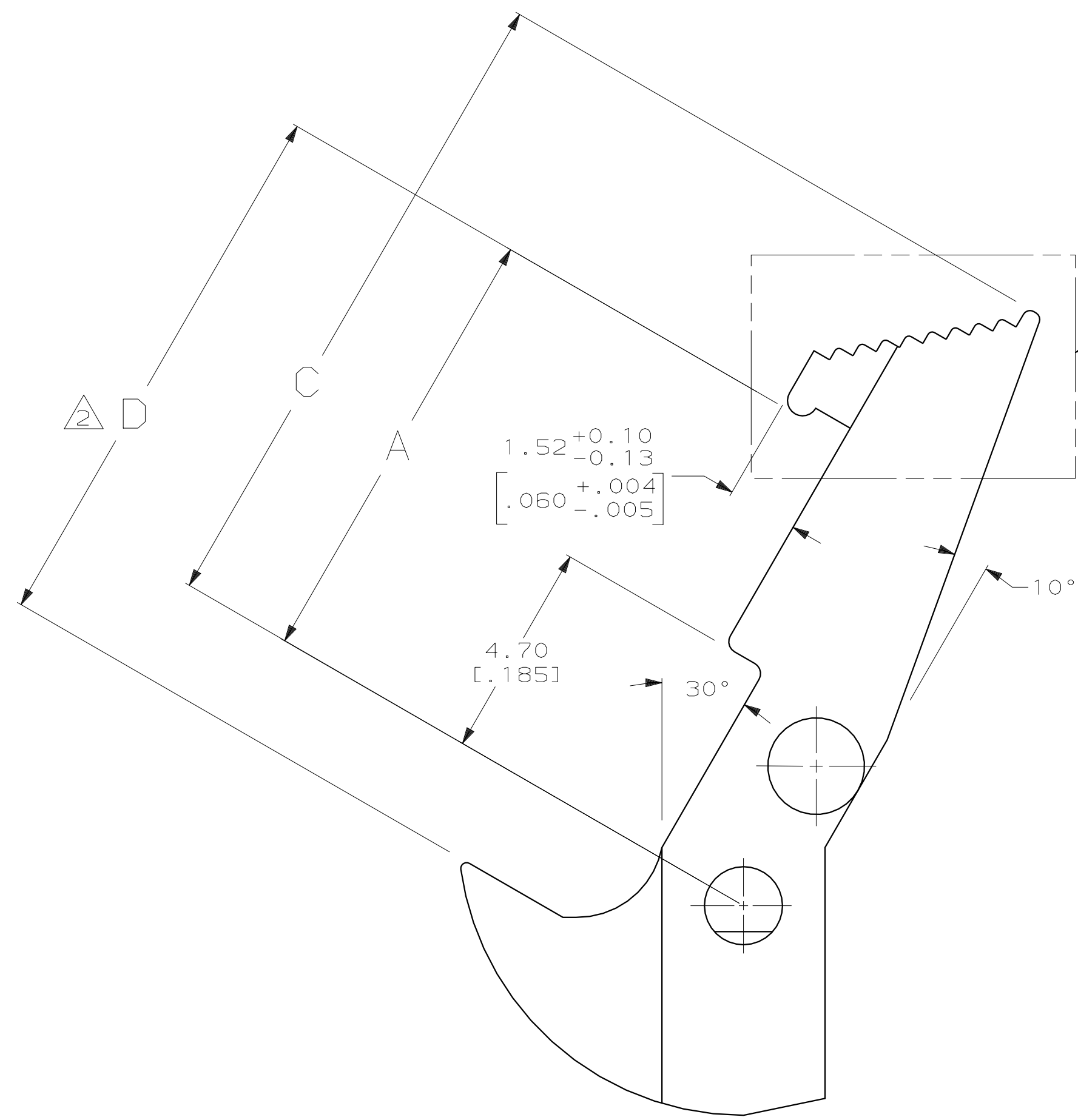
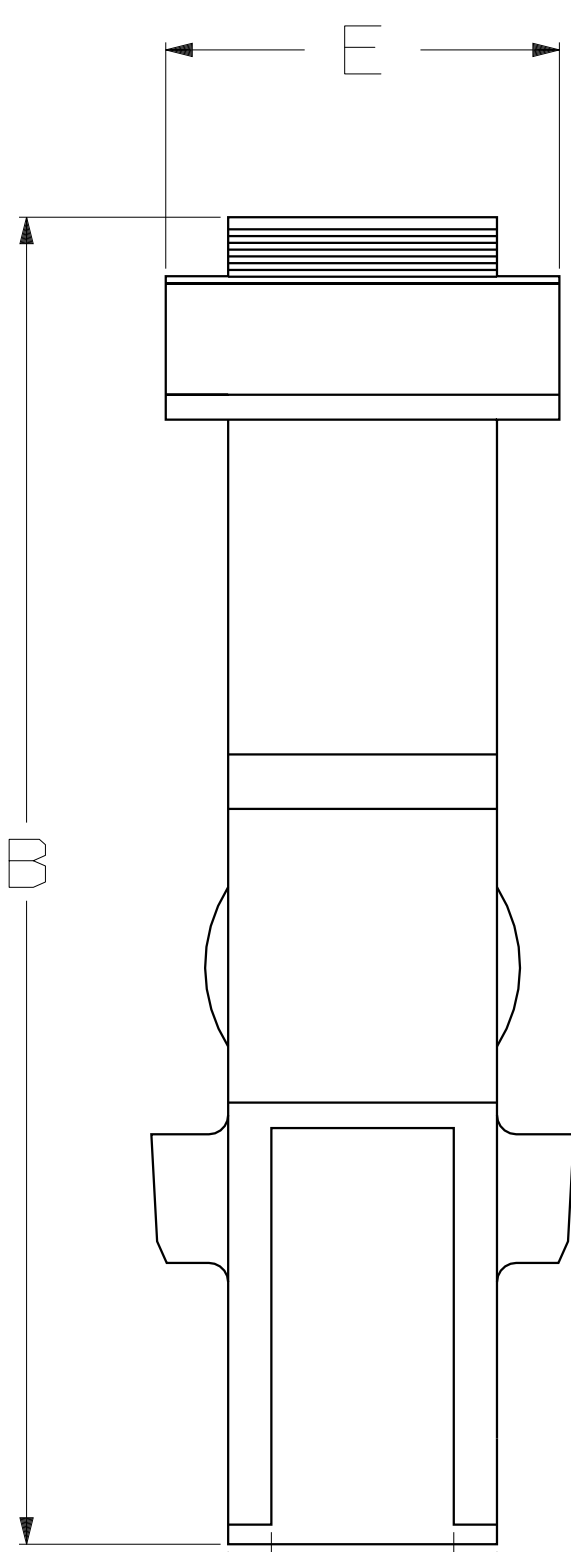
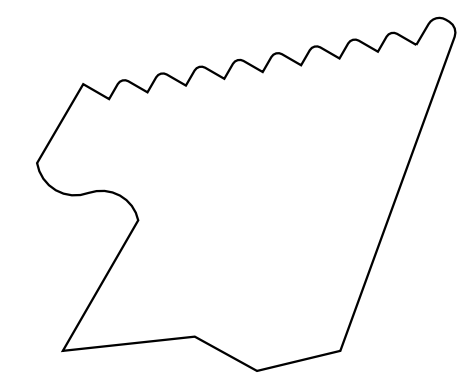


LOC	DIST	P	F	ZONE	LTR	REVISIONS	DATE	APPD
GP	00				B2	REVISED PER ECO 06-004646	08MAR06	JG



SEE DETAIL F
HANDLE AREA
SEE TABLE



DETAIL F
HANDLE AREA

2.41
[.095]
3.556 +0.064
-0.102
[.1400 +.0025
-.0040]

OBsolete	④	AS SHOWN	5.21 [.205]	10.57 [.416]	13.56 [.534]	16.31 [.642]	8.38 [.330]	①	111293-3
	③	PER DETAIL F	3.56 [.140] REF	12.04 [.474]	14.53 [.572]	17.14 [.675]	9.86 [.388]	①	111293-2
	③	AS SHOWN	5.21 [.205]	10.57 [.416]	13.56 [.534]	16.31 [.642]	8.38 [.330]		111293-1
		MATERIAL	HANDLE AREA	E	D	C	B	A	PART NO

- ① TO BE USED WITH AMP-LATCH™ CONNECTOR WITH STANDARD COVER.
- ② MATING RECEPTACLE HEIGHT.
- ③ FLAME RETARDANT PCT, UL94V-0 RATED, COLOR RED.
- ④ FLAME RETARDANT PCT, UL94V-0 RATED, COLOR BLACK.

DO NOT SCALE PRINT.
UNLESS SPECIFIED
DIMENSIONS IN mm [INCHES]
TOLERANCES ON:
2 PLC DEC ± 0.13 [.005]
3 PLC DEC ± -
ANGLES ± 1°
MATERIAL
SEE TABLE
FINISH
-

DR 10-1-92
H MOLL
CHK 10-2-92
R STONE
APPD 10-5-92
R KILE
APPD 10-6-92
D HOFFMAN
PRODUCT SPEC
-
APPLICATION SPEC
-
WEIGHT
-

AMP AMP Incorporated Harrisburg, PA 17105-3608		
NAME LATCH, USED IN AMP-LATCH UNIVERSAL HEADER		
SIZE C	CAGE CODE 00779	DRAWING NO C-111293
SCALE 10:1	SHEET 1 OF 1	

THIS DRAWING IS A CONTROLLED DOCUMENT FOR AMP INCORPORATED. IT IS SUBJECT TO CHANGE AND THE CONTROLLING ENGINEERING ORGANIZATION SHOULD BE CONTACTED FOR THE LATEST REVISION.

X-ON Electronics

Largest Supplier of Electrical and Electronic Components

Click to view similar products for [Headers & Wire Housings](#) category:

Click to view products by [TE Connectivity](#) manufacturer:

Other Similar products are found below :

[892-18-020-10-001101](#) [58102-G61-06LF](#) [582553-1](#) [0009485154](#) [009176003701906](#) [0050291907](#) [LY20-4P-DT1-P1E-BR](#) [02.125.8002.8](#)
[609-3404](#) [61062-3](#) [61082-181009](#) [622-3653LF](#) [63453-116](#) [636-1030](#) [636-1427](#) [636-3427](#) [636-4007](#) [641938-9](#) [641991-4](#) [644827-2](#) [65817-](#)
[010LF](#) [65817-015LF](#) [65863-015LF](#) [66207-023LF](#) [67095-007LF](#) [67601157](#) [68645-018](#) [68648-049](#) [70.362.1628.0](#) [70-4210](#) [70-4226B](#) [70-](#)
[4853B](#) [707-5020](#) [707-5028](#) [71.350.2428.0](#) [71918-208LF](#) [71961-016LF](#) [733-134](#) [733-162](#) [754199-000](#) [760-3052](#) [787-8014-00](#) [79531-3000](#)
[FCN-360C032-B](#) [FCN-367T-T012/H](#) [FCN-723D010/2](#) [80.063.4001.1](#) [800-90-001-10-001000](#) [800-90-010-10-002000](#) [801-43-002-10-013000](#)