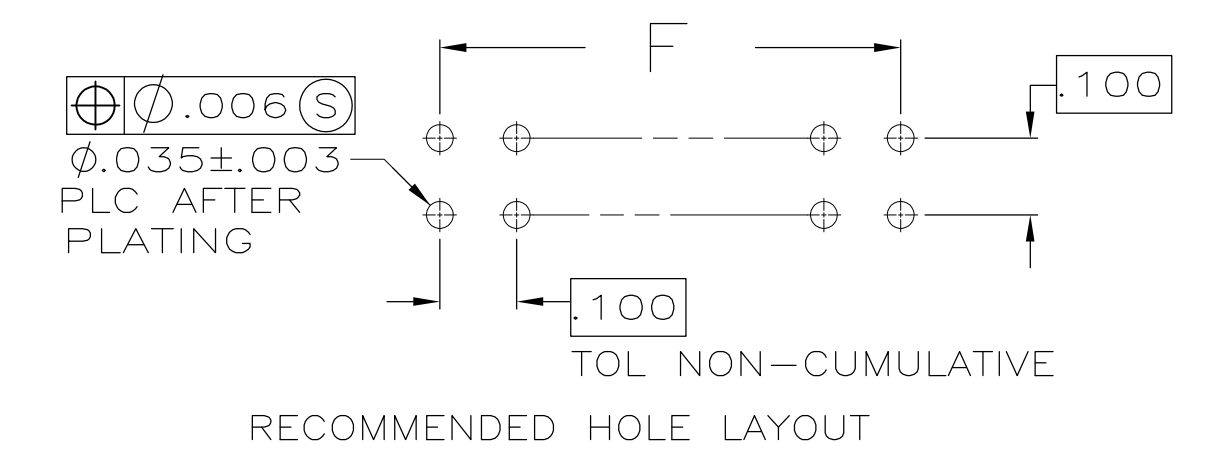


- ⚠ CONTACTS DESIGNED FOR 26 & 28 AWG STRANDED OR 26, 28 & 30 AWG SOLID WIRE.
- ⚠ AMP TRADEMARK LOCATED IN APPROX AREA SHOWN.
- ⚠ STANDOFFS: POS 10 (2) STANDOFFS AS SHOWN.
 14-16 (3) STANDOFFS, (1) CENTERED BETWEEN (2) SHOWN
 20-26 (4) (2)
 30 (5) (3)
 34 (6) (4)
 40-44 (7) (5)
 50 (8) (6)
 60 (9) (7)
 64 (10) (8)
- ⚠ .000100-.000200 BRIGHT TIN-LEAD, ALL OVER .000050 NICKEL.
- ⚠ HEIGHT AFTER TERMINATION IS .253 ±.010.
- 6. FOR USE IN .062 - .093" THICK PCB.
- ⚠ .000005 MIN GOLD ON RIBBON CABLE TERMINATION AREA, .000100-.000200 MATTE TIN ON SOLDER TAILS, ALL OVER .000050 MIN NICKEL.
- ⚠ MOLDED PARTS, 94V-0 RATED THERMOPLASTIC, COLOR: BLACK
 CONTACTS: PHOS BRONZE.



⚠	24	2.680	48	49	50	2-111382-0
⚠	16	1.880	32	33	34	1-111382-9
⚠	12	1.480	24	25	26	1-111382-8
⚠	9	1.180	18	19	20	1-111382-7
⚠	7	0.980	14	15	16	1-111382-6
⚠	4	.680	8	9	10	1-111382-4
OBSOLETE	21	2.380	42	43	44	1-111382-3
OBSOLETE	31	3.380	62	63	64	1-111382-2
OBSOLETE	29	3.180	58	59	60	1-111382-1
OBSOLETE	24	2.680	48	49	50	1-111382-0
OBSOLETE	19	2.180	38	39	40	111382-9
OBSOLETE	16	1.880	32	33	34	111382-8
OBSOLETE	14	1.680	28	29	30	111382-7
OBSOLETE	12	1.480	24	25	26	111382-6
OBSOLETE	11	1.380	22	23	24	111382-5
⚠	9	1.180	18	19	20	111382-4
OBSOLETE	7	.980	14	15	16	111382-3
OBSOLETE	6	.880	12	13	14	111382-2
OBSOLETE	4	.680	8	9	10	111382-1
CONTACT FINISH	D	C	B	A	NO OF POSN	PART NO

THIS DRAWING IS A CONTROLLED DOCUMENT.

DIMENSIONS: INCHES	TOLERANCES UNLESS OTHERWISE SPECIFIED:	DIN 11-29-04	11-29-04
0 PLC ± -	1 PLC ± -	L VARELA - DOCKS	11-29-04
2 PLC ± -	3 PLC ± .005	C. RÖHDE	
4 PLC ± -	ANGLES ± -	M. WALMSLEY	11-29-04

APPROVED: M. WALMSLEY
 NAME: KIT, DIP PLUG, PREASSEMBLED, .100 X .100 CENTERLINE, AMP-LATCH
 PRODUCT SPEC: 108-40013
 APPLICATION SPEC: 114-40005
 SIZE: A1
 CAGE CODE: 00779
 DRAWING NO: 111382
 WEIGHT: -
 CUSTOMER DRAWING

SCALE: 10:1 SHEET: 1 OF 1 REV: L

X-ON Electronics

Largest Supplier of Electrical and Electronic Components

Click to view similar products for [Headers & Wire Housings](#) category:

Click to view products by [TE Connectivity](#) manufacturer:

Other Similar products are found below :

[95000-104TRLF](#) [10135584-644402LF](#) [DF62W-EP2022PCA](#) [95000-106TRLF](#) [DF62W-2022SCA](#) [DF62W-EP2022PC](#) [2203348](#) [DF62W-2022SC](#) [1084018](#) [1029039](#) [1084017](#) [802-10-012-10-002000](#) [1112640](#) [1112639](#) [000-34000](#) [0009482033](#) [0009507031](#) [57102-S06-03LF](#) [57202-S52-04LF](#) [PCN6-15S-2.5E](#) [0039019024](#) [58102-G61-06LF](#) [582553-1](#) [0009508121](#) [0050291907](#) [018731A](#) [LY20-4P-DT1-P1E-BR](#) [02.125.8002.8](#) [60101931](#) [60598-1 \(Cut Strip\)](#) [M1625-3R/100](#) [61062-3](#) [61082-181009](#) [636-1427](#) [638009-1](#) [641938-9](#) [641991-4](#) [644168-1](#) [647662-1](#) [65039-019ELF](#) [65817-002LF](#) [65817-015LF](#) [65863-015LF](#) [66207-023LF](#) [67016-026LF](#) [67046-001LF](#) [67095-007LF](#) [68002-116](#) [68016-236H](#) [68648-049](#)