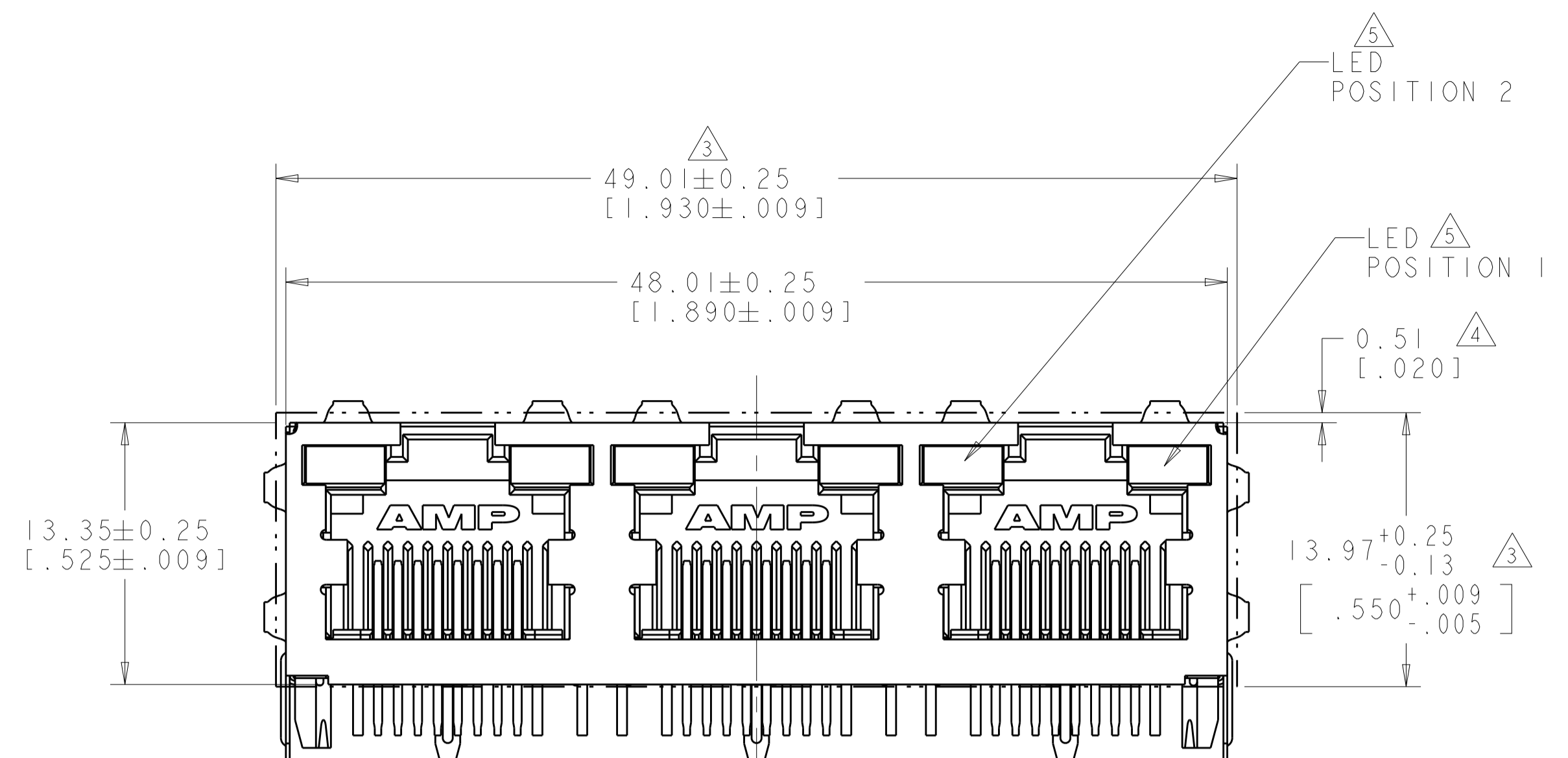
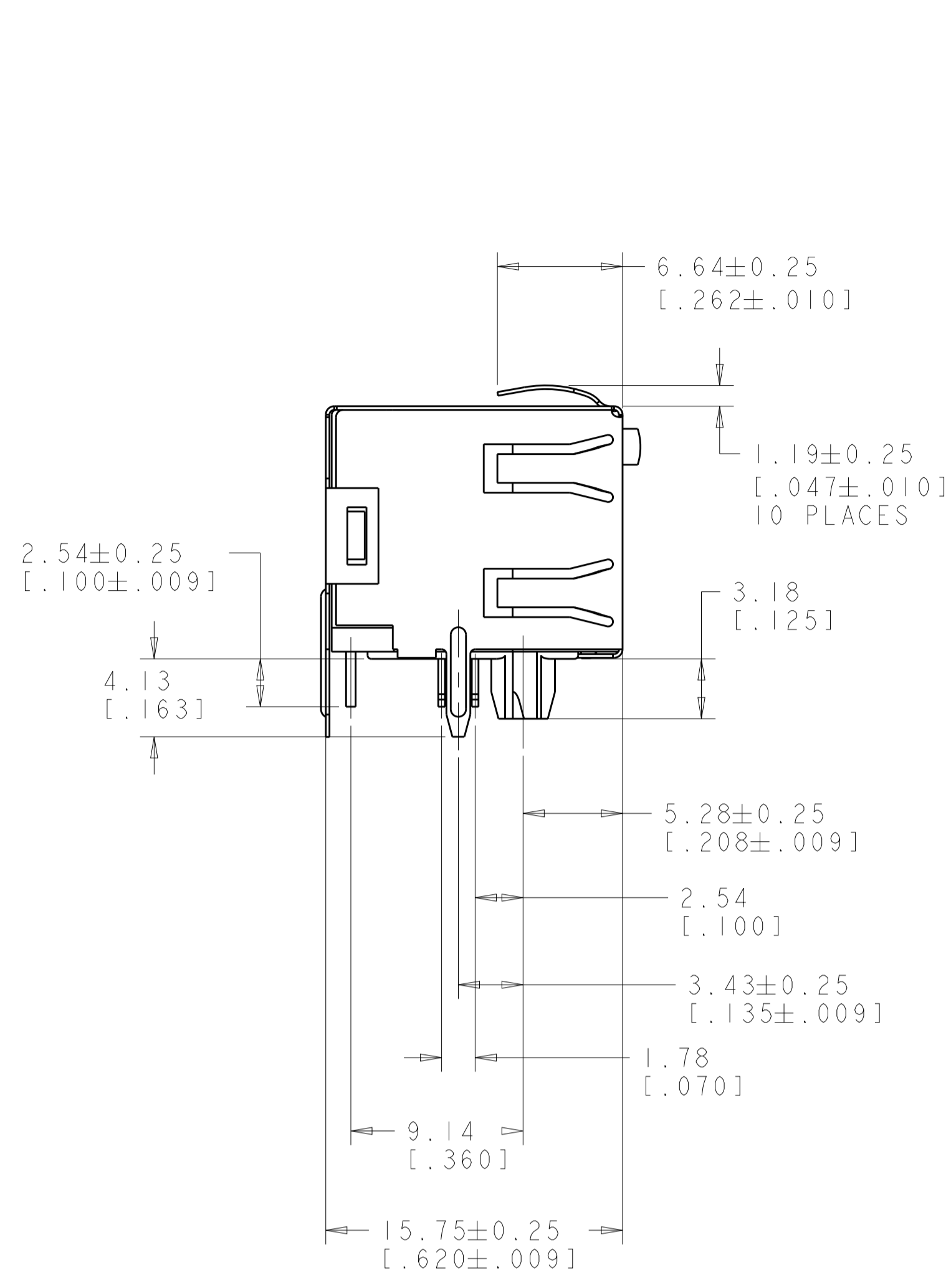
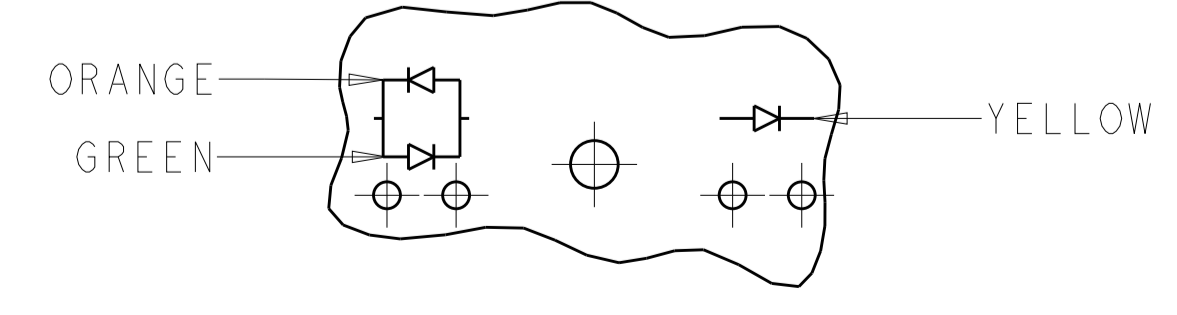
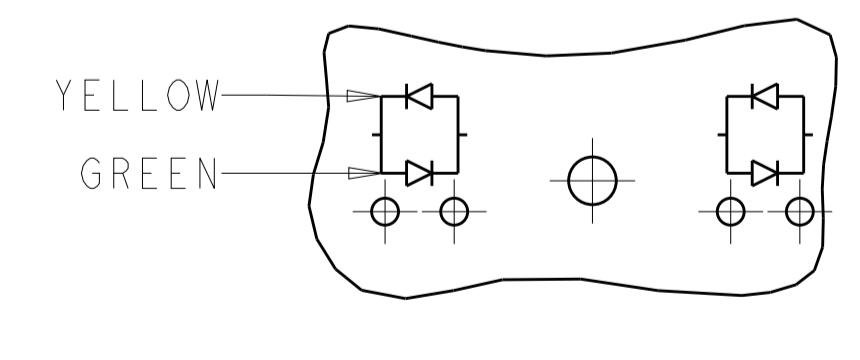
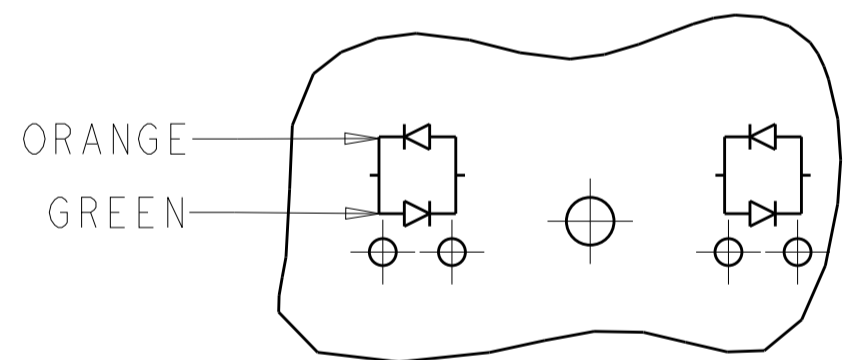
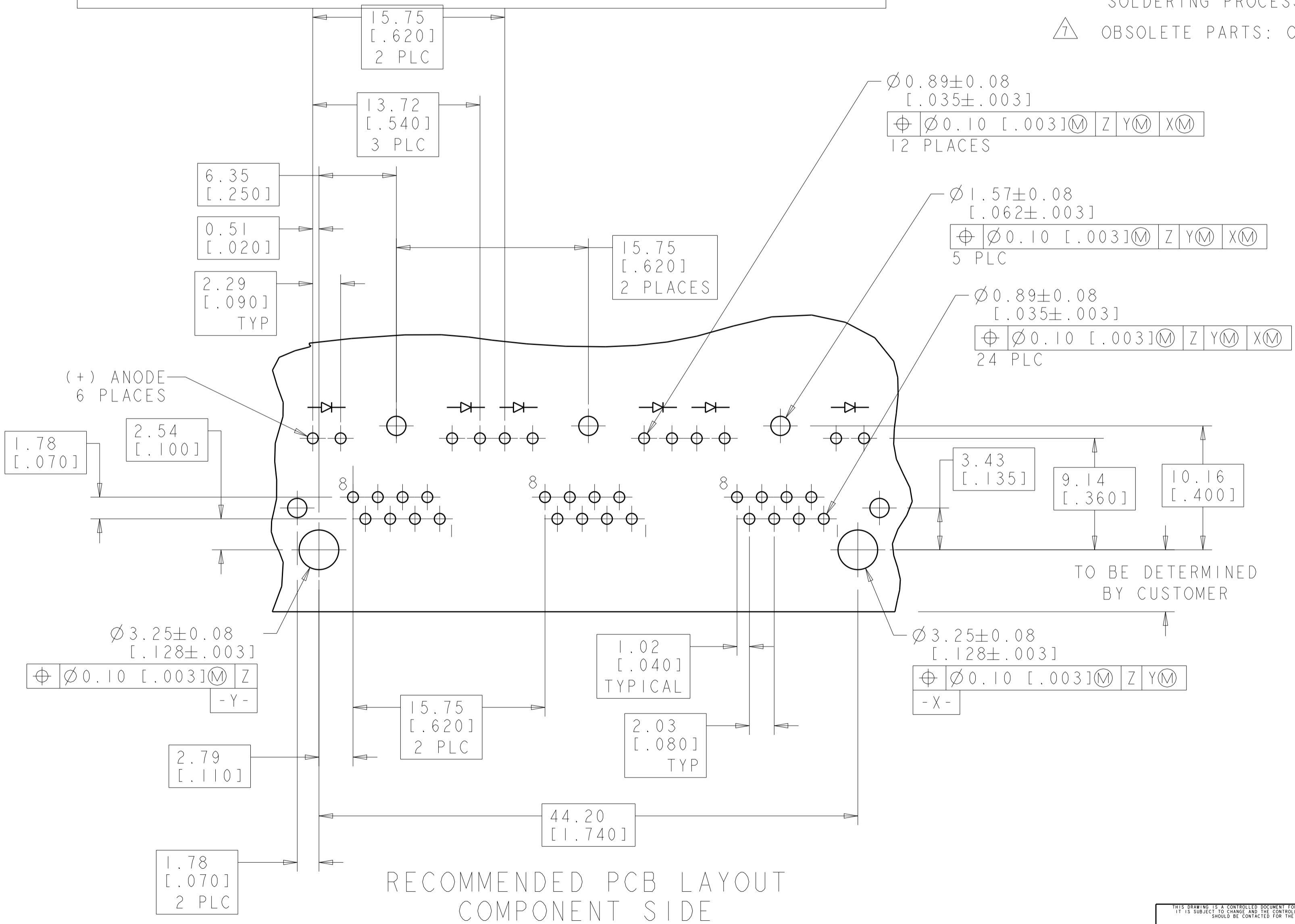


LOC	DIST	REVISIONS					
AA	00	P	LTN	DESCRIPTION	DATE	OWN	APVD
		C		ECO-07-022131	02NOV07	LAM	JW
		C1		REVISED PER ECO-09-025699	11DEC09	KK	AEJ
		C2		ECO-14-018192	27SEP2018	LL	SH
		C3		ECO-18-014918	20AUG2019	RR	SH



**OBSOLETE**

- MATERIAL: HOUSING - THERMOPLASTIC, BLACK, UL94V-0. TERMINALS - .36[.014] THICK PHOSPHOR BRONZE PLATED WITH 3.81µm [.000150] MINIMUM THICK BRIGHT TIN-LEAD IN SOLDER AREA, 1.27µm [.000050] MINIMUM GOLD IN LOCALIZED PLATE AREA. ENTIRE TERMINAL PLATED WITH 1.27µm [.000050] MINIMUM THICK NICKEL. SHIELD - 0.196[.0077] THICK COPPER ZINC ALLOY, PREPLATED WITH 1.27µm [.000050] MINIMUM SATIN NICKEL WITH 2.03µm [.000080] MINIMUM TIN POST DIPPED ON PCB TABS. LIGHT EMITTING DIODE (LED) - DIFFUSED EPOXY LENS 0.51 X 0.51 [.020 X .020] CARBON STEEL WIREFRAME LEADS PLATED WITH 8.89µm [.000350] TIN/COPPER OVER 2.03µm [.000080] SILVER OVER 1.02µm [.000040] NICKEL UNDERPLATE OVER 2.03µm [.000080] COPPER UNDERPLATE.
  - JACK CAVITY CONFORMS TO FCC RULES AND REGULATIONS PART 68, SUBPART F.
- △ SUGGESTED PANEL OPENING DIMENSIONS.  
 △ SUGGESTED CLEARANCE BETWEEN TOP OF CONNECTOR AND TOP OF PANEL OPENING.  
 △ SEE TABLE FOR COLOR OF LEDS AND NUMBER REQUIRED.  
 6. THIS MODULAR JACK WITH INTEGRATED LED IS NOT IR REFLOW SOLDERING PROCESS COMPATIBLE.  
 △ OBSOLETE PARTS: OBSOLETE CIS STREAMLINING PER D.RENAUD/D.SINISI



INDICATOR COLOR	POSITION 2	POSITION 1	PART NUMBER
<del>OBSOLETE</del> ORANGE/GREEN	YELLOW	YELLOW	1116132-9
<del>OBSOLETE</del> YELLOW/GREEN	YELLOW/GREEN	YELLOW/GREEN	1116132-8
<del>OBSOLETE</del> ORANGE/GREEN	ORANGE/GREEN	ORANGE/GREEN	1116132-7
<del>OBSOLETE</del> YELLOW	YELLOW	YELLOW	1116132-6
<del>OBSOLETE</del> GREEN	GREEN	GREEN	1116132-5
<del>OBSOLETE</del> GREEN	YELLOW	YELLOW	1116132-4
<del>OBSOLETE</del> YELLOW	YELLOW	YELLOW	1116132-3
<del>OBSOLETE</del> GREEN	GREEN	GREEN	1116132-2
<del>OBSOLETE</del> YELLOW	GREEN	GREEN	1116132-1

THIS DRAWING IS UNPUBLISHED. RELEASED FOR PUBLICATION BY TYCO ELECTRONICS CORPORATION. ALL RIGHTS RESERVED.

OWN: J. AHERON 29JUL98  
 CHK: J. WESTMAN 13OCT07  
 APVD: E. LAUBER 29JUL98

TOLERANCES UNLESS OTHERWISE SPECIFIED:  
 DIMENSIONS: mm [INCH]  
 0 PLC ±  
 1 PLC ±  
 2 PLC ±0.131(.005)  
 3 PLC ±  
 4 PLC ±  
 ANGLES ±

MATERIAL: SEE NOTE 1  
 FINISH: SEE NOTE 1

WEIGHT: 114-2154  
 CUSTOMER DRAWING

NAME: INVERTED MODULAR JACK ASSEMBLY, 1 X 3, SHIELDED, PANEL GROUND TABS, LED  
 SIZE: 108-1163-4  
 APPLICATION SPEC: 114-2154  
 SCALE: 4:1

Part Number: 1116132  
 SHEET 1 OF 1  
 REV C3

## X-ON Electronics

Largest Supplier of Electrical and Electronic Components

*Click to view similar products for [Modular Connectors / Ethernet Connectors](#) category:*

*Click to view products by [TE Connectivity](#) manufacturer:*

Other Similar products are found below :

[RJE231881317T](#) [MP1010RX-1000](#) [MP44RX-1000](#) [GAX-3-66](#) [GAX-8-62](#) [93606-0253](#) [GD-A-44](#) [GDCX-PA-66-50](#) [GDCX-PN-64](#) [GDCX-PN-66](#) [GDCX-PN-66-50](#) [GDLX-A-66](#) [GDLX-A-88](#) [GDLX-N-66](#) [GDLX-S-66](#) [GDLX-S-88K](#) [GDTX-S-88-50](#) [GDX-PA-1010](#) [GLX-N-1010M-BLK](#) [GLX-S-88M-BLK](#) [GMX-N-1010](#) [GMX-S-1010](#) [GMX-S-66](#) [GMX-SMT2-N-1010](#) [GMX-SMT2-N-64-50](#) [GMX-SMT2-N-88](#) [GMX-SMT2-S6-88](#) [GMX-SMT4-N-88](#) [GPX-2-64](#) [GRT1-BT1-5](#) [GSGX-N-2-88](#) [GSX-NS2-88-3.05](#) [GSX-NS2-88-3.05-50](#) [GSX-NS-88-3.05-30](#) [GSX-NS-88-3.05-50](#) [GSX-NS-88-3.68](#) [1-1775629-2](#) [GWLX-S-88-GR](#) [GWLX-S9-88-YG](#) [1300500326](#) [1300500227](#) [1300530003](#) [1300570002](#) [1324640-4](#) [RJ11FTVC2G](#) [RJ11FTVC2N](#) [RJFTVX2SA1G](#) [132764-001](#) [1400000](#) [1413235](#)